

Automotive Rocker Switch

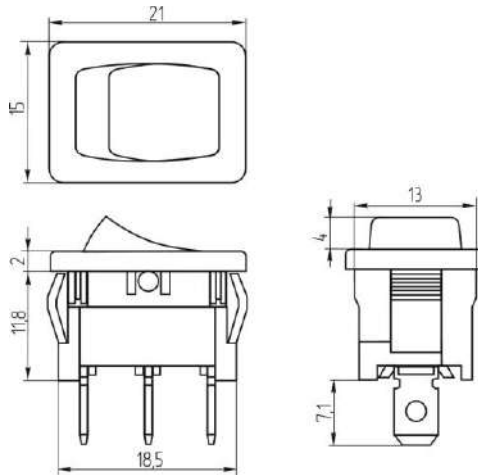
Q-2107

TYPE: R13-66BW
Rocker

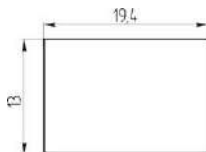
SPECIFICATIONS

Rating: 16A 12V DC
Contact R: 50mΩ max
Insulation R: 500V DC 100MΩ min
Dielectric Strength: 1 Minute 1500V AC
Operating Temperature: -25°C ~ +85°C
Electrical Life: 10,000 Cycles

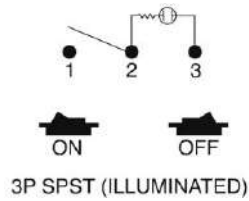
Outline Drawing



Mounting



Circuitry



3P SPST (ILLUMINATED)