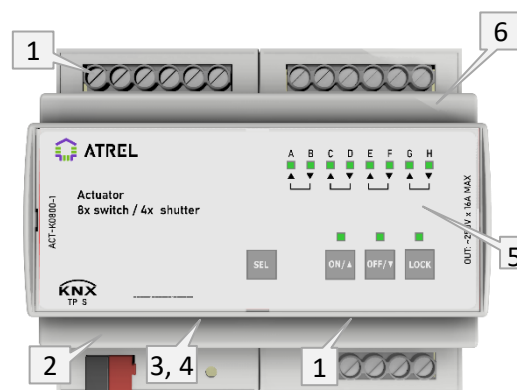


**Art: ACT-K0800-1**

**8-channel relay actuator with manual operation. Contains bistable relays designed for an operating current of 16A and high inrush currents**

**Features:**

- Bus power supply KNX
- 8 independent power load control channels or 8 curtain/blind control channels
- Status indication for each channel
- Manual switching for each channel
- Saving state in case of power failure KNX
- Channel blocking in manual control mode
- Real-time clock, telegram reception, real-time settings, weekly timers based on it
- Extensive "learning" capabilities via the KNX bus
- Actions on the level of illumination of the window



- |                           |                              |
|---------------------------|------------------------------|
| 1. Outputs                | 4. Programming indicator KNX |
| 2. Bus connector KNX      | 5. Control buttons           |
| 3. Programming button KNX | 6. Channel status indicators |

**Technical specifications:**

Specifications		
Number of outputs	8	
Switching type	Potential-free outputs through bistable relays with tungsten pre-contact / Micro-disconnection	
Rated current per output	~ 16 (6)A @ 250V~ (4000VA) = 7A @ 30V= (210W)	
Maximum inrush current	800A/200 us, 165A/20ms	
Maximum current per terminal	24A	
Maximum output load	resistive	4000W
	inductive	1500VA
	capacitive	140 uF
Short circuit protection	No	
Overload protection	No	
Connection type	Screw terminals	
Cable cross-section	1x - 1.5-4mm <sup>2</sup> /2x - 1.5-2.5mm <sup>2</sup>	
Maximum response time	10ms	
Mechanical service life	3 000 000 cycles	
Electrical service life	100,000 at 8A / 25,000 at 16A (V~)	
Device power supply	from the KNX bus, without external power supply	
KNX Interface		
Specification	TP-256	
Configuration program	ETS 5.7 or above	
Connection	Standard TP1 KNX/EIB connector (type WAGO 234-211)	
Operating voltage	21-30V DC	
Operating current (29V DC)	<=12mA	

Environmental conditions	
Operating temperature range	0 to + 45°C
Operation humidity range	5 to 95% (non-condensing)
Storage temperature	-20 to + 45°C
Degree of protection	IP 20, in a clean environment
Общие	
Housing material	PC/ABS
Fire resistance class	UL94-V0
Installation	Electrical panels with 35mm DIN rail (EN 50022), 8 modules
Size	142,3 x 62 x 90,5 mm
Weight	500 g.

<sup>1</sup> Service life values may vary depending on the type of load.

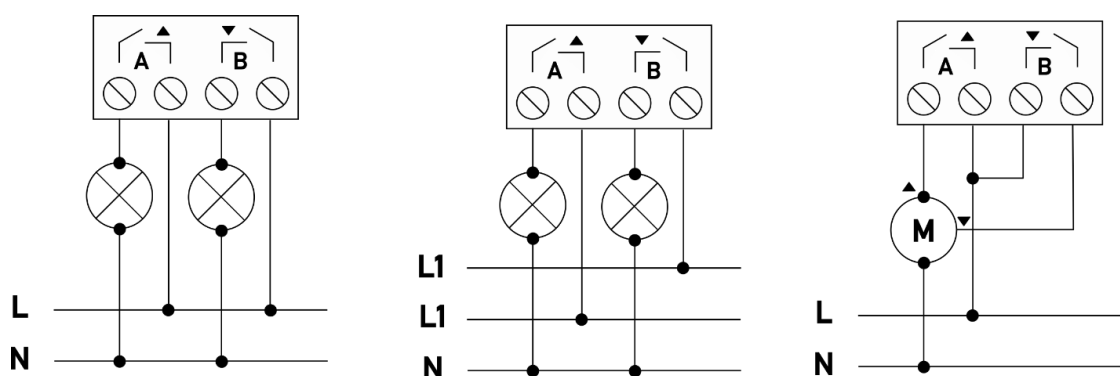


Figure 2: Example of connections (from left to right): 2 loads, 2 loads connected to different phases, shutters