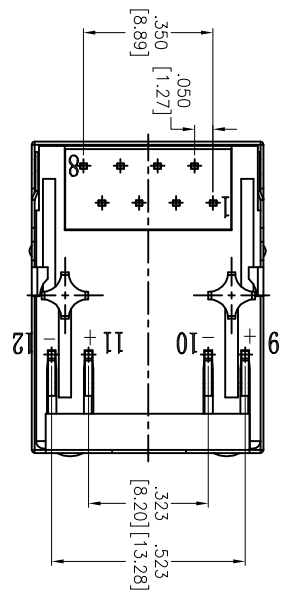
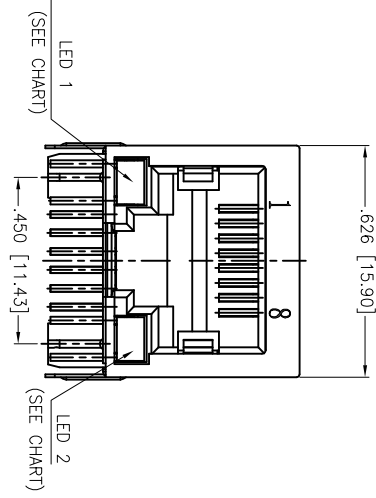
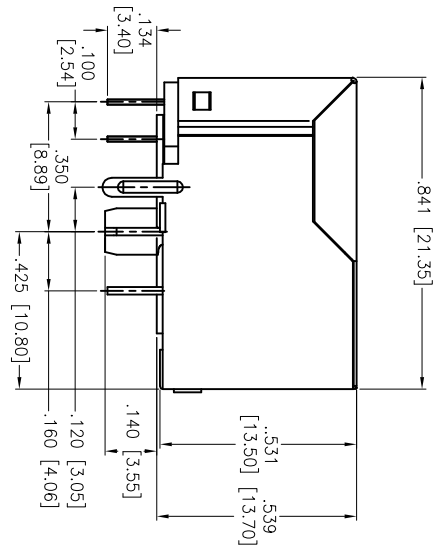
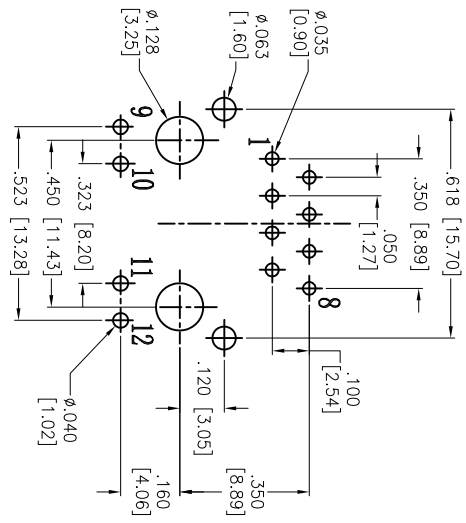


Rev	AWO #	Description	Date	Appr
-		RELEASED	9/2/15	

APPROVED: _____ TITLE: _____
 DATE: _____



Part Number	LED 1 Color	LED 2 Color
MTJ-88TX1-FSD-LD	Green	Green
MTJ-88TX1-FSD-LG	Yellow	Green
MTJ-88TX1-FSD-LH	Green	Yellow
MTJ-88TX1-FSD-LP	Yellow/Green	Yellow/Green
MTJ-88TX1-FSD-LV	Green	Yellow/Green
MTJ-88TX1-FSD-L16	Green/Yellow	Green/Yellow

SPECIFICATIONS:

Material: Insulator: PBT, glass filled, rated UL 94V-0
 Insulator color: Black
 Contacts: Phosphor Bronze
 Shield: Brass, Nickel plated
 Contact Plating: Flat contact
 Gold over Nickel underplate on contact area,
 Matte Tin over Nickel underplate on solder tails
 Round contact
 Gold over Nickel underplate overall
 Electrical: Operating voltage: 150 VAC RMS
 Current rating: 1.5 Amps
 Contact Resistance: 20 mohms max. initial
 Insulation resistance: 1,000 Mohms min @ 500 VDC
 Dielectric withstanding voltage: 1,000 VDC or AC peak for 1 minut
 Temperature Rating: Operating temperature: -40°C to +85°C
 Environmental: Lead free, RoHS compliant.

ADAM TECH

909 Ratway Avenue, Union, NJ 07083
 Phone: 908-687-5000 Fax: 908-687-5710

TITLE: MODULAR JACK GANGED, 1 PORT, 8P8C,
 W/LED'S

UNLESS OTHERWISE SPECIFIED ALL DIMENSIONS ARE INCHES [MM]	
TOLERANCES: EXCEPT AS NOTED	
INCHES	HOLES
.X ± .10	Ø.X ± .10
.XX ± .020	Ø.XXX ± .015
.XXX ± .015	Ø.XXXX ± .010
APPROVALS	DATE
DRAWN AY	9/2/15
CHECKED NC	9/2/15
APPROVED	

REF: S0005C	SCALE: NTS	SHEET 1 OF 1
-------------	------------	--------------

