

DETAILS

Product Number	FP15072_ZORYA-SC-HEKLA
Family	Zorya
Type	Assembly
Color	clear
Diameter	55 mm
Height	35 mm
Style	round
Optic Material	Silicone
Holder Material	
Fastening	socket
Status	production ready
ROHS Compliant	Yes
Date Updated	13/12/2017

OPTICAL PROPERTIES

LED	Viewing Angle	Light Beam	Efficiency	cd/lm	Connector
Vesta TW 9mm (12W)	241 deg	Decorative...	94 %	0.120	LEDiL: C16142_HEKLA-SOCKET-K
CLL02x/CLU02x (LES10)	sim: 262	Decorative...	sim: 97 %	sim: 0.125	LEDiL: F15255_HEKLA-SOCKET-C
CLU700/701	sim: 265	Decorative...	sim: 97 %	sim: 0.116	LEDiL: F15255_HEKLA-SOCKET-C
CLC030 Series (Dim-To-Warm)	163 deg	Decorative...	94 %	0.140	LEDiL: C16142_HEKLA-SOCKET-K
CLC020 Series (Dim-To-Warm)	235 deg	Decorative...	92 %	0.130	LEDiL: C16142_HEKLA-SOCKET-K
LCN-C01B (Tunable White)	231 deg	Decorative...	94 %	0.130	LEDiL: C16142_HEKLA-SOCKET-K
LCN-C02B (Tunable White)	224 deg	Decorative...	94 %	0.130	LEDiL: C16142_HEKLA-SOCKET-K
CXA/B 15xx	sim: 263	Decorative...	sim: 95 %	sim: 0.113	LEDiL: F15256_HEKLA-SOCKET-D
SLE G1 15mm 2000lm 927 Sunset R EXØ65 deg		Decorative...	93 %	0.140	LEDiL: F15859_HEKLA-SOCKET-I
SLE G1 11mm 1000lm 927 Sunset R EXØ40 deg		Decorative...	91 %	0.130	LEDiL: F15859_HEKLA-SOCKET-I



H G F E D C B A

4

3

2

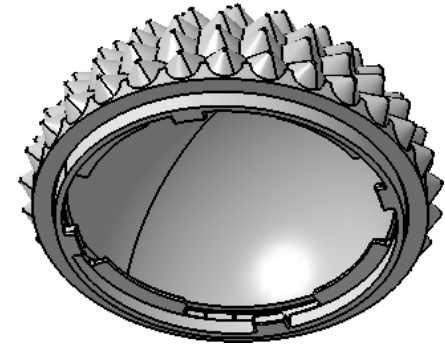
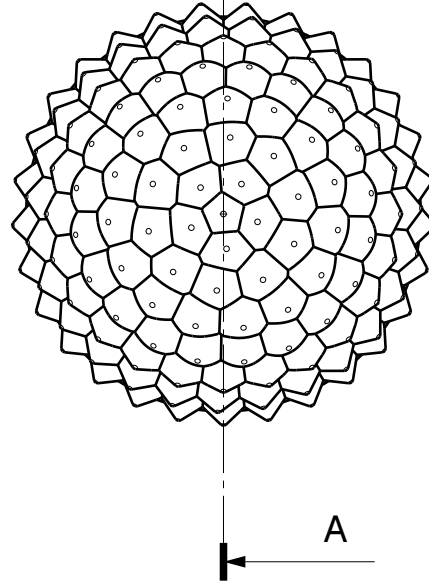
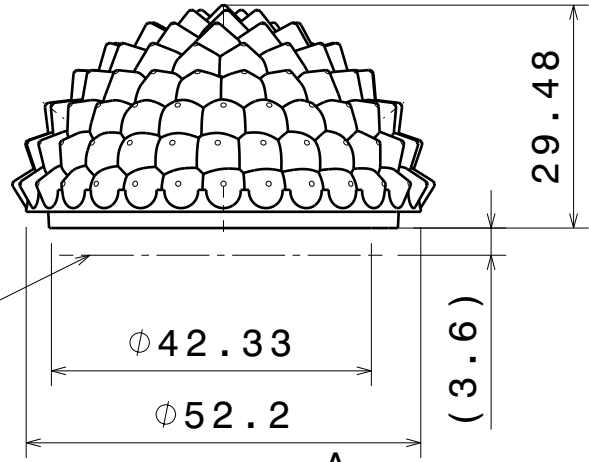
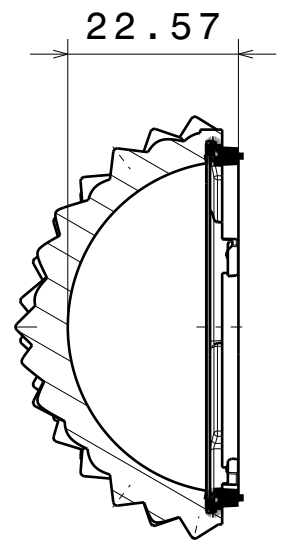
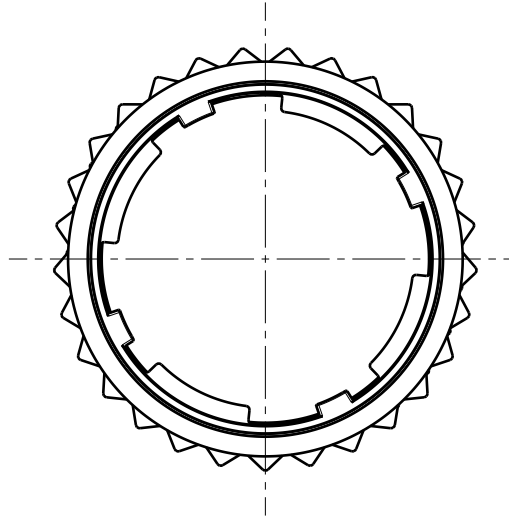
1

4

3

2

1



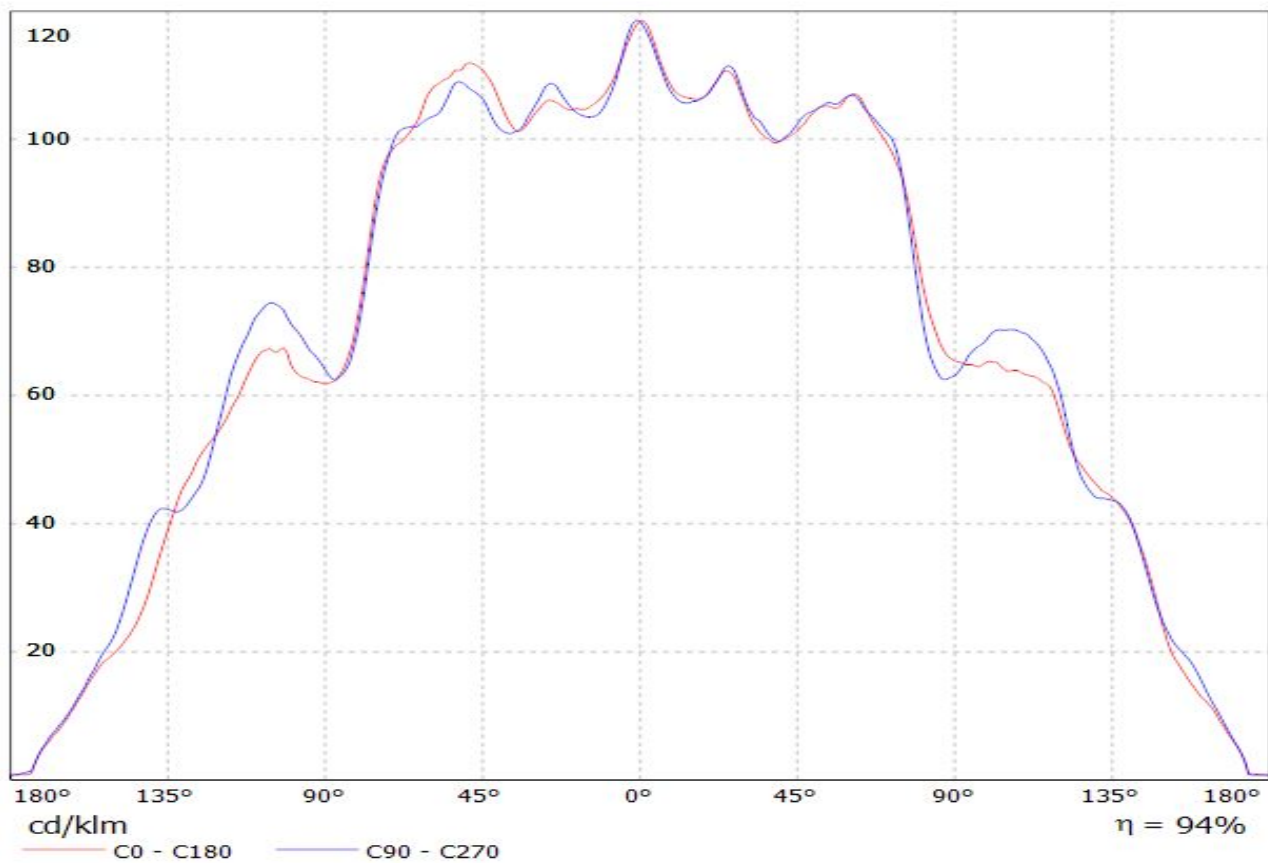
INDEX	PART NO	DESCRIPTION	MATERIAL	COLOUR
1	F15526	ZORYA-SC-ADAPTER-HEKLA	PC	Clear
2	ZORYA-SC-50		Silicon	Clear

Tolerances if not otherwise shown According to DIN ISO 2768-1 Linear measures: Up to 30mm class M, otherwise class C. According to DIN ISO 2768-2 Form and position: class L		Ledil Oy Salorankatu 10 FIN 24240 SALO Finland
THIRD ANGLE PROJECTION:		
This drawing is the property of LEDiL Oy. It may not be reproduced, copied or communicated without a written agreement with LEDiL Oy.		DRAWING TITLE FP15072_ZORYA-SC-40
SIZE A3	PART NUMBER FP15072	
SCALE 1:1	WEIGHT 26,5 g	SHEET 1/1

H G B A

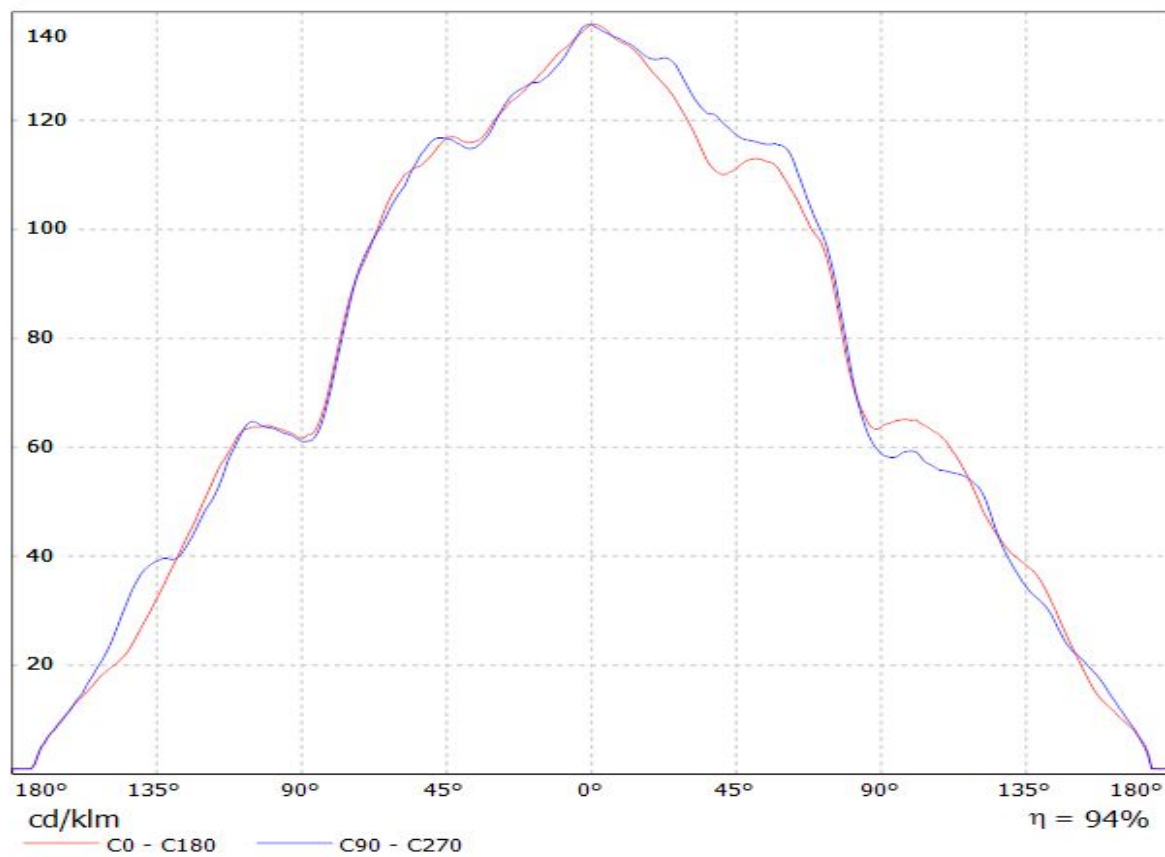
Luminaire: LEDiL Oy FP15072_ZORYA-SC-HEKLA_(Vesta_TW_9mm)

Lamps: 1 x Bridgelux_Vesta_9mm_(12W)_tunable_white_1130.87lm@700mA_P=11.681W_I=0.7A

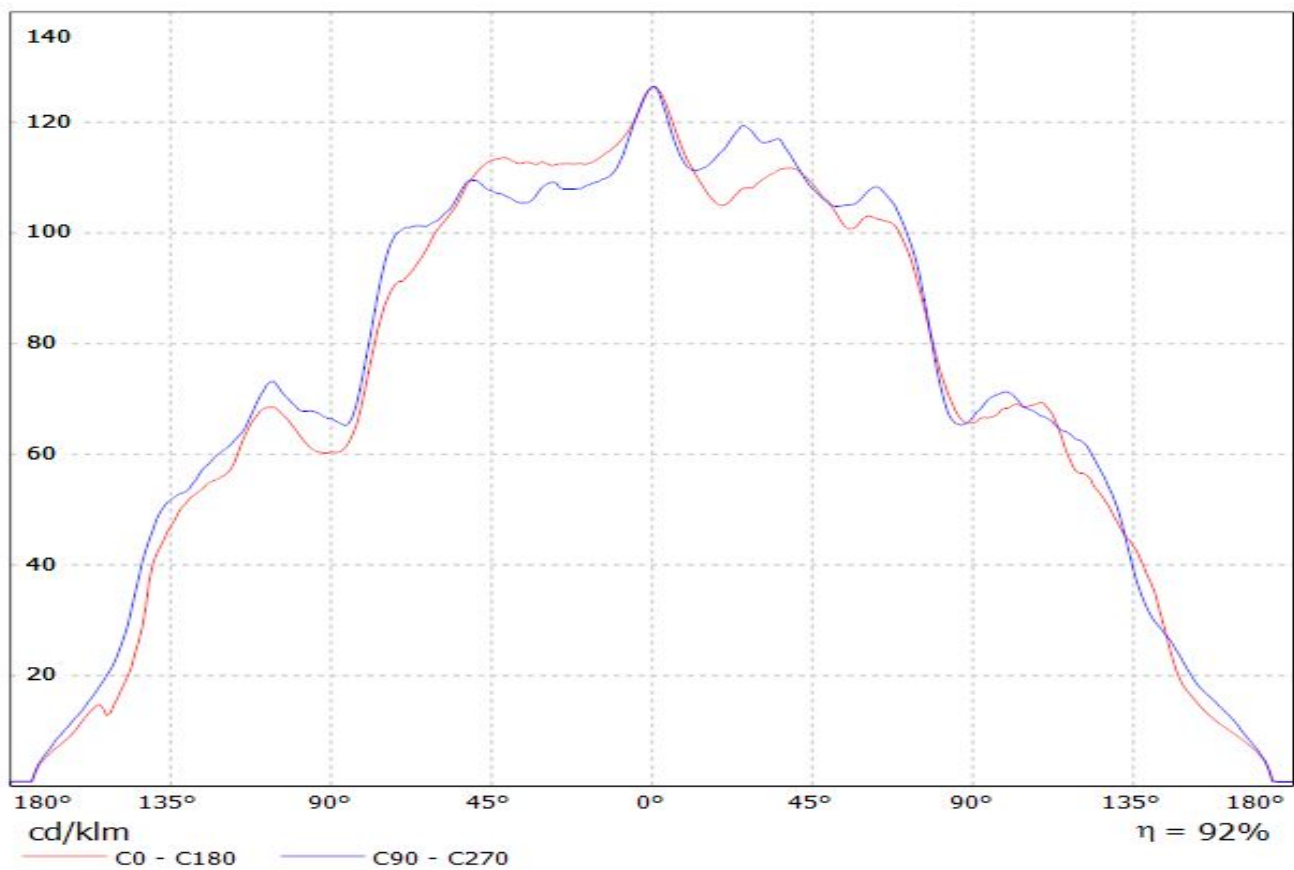


Luminaire: LEDiL Oy FP15072_ZORYA-SC-HEKLA_(CLC030_DTW)

Lamps: 1 x Citizen_CLC030_DTW_(081B8-313G3G3)+BW436_TypL8+C16142_1655.21lm@460mA_P=15.6843W_I=0.46A

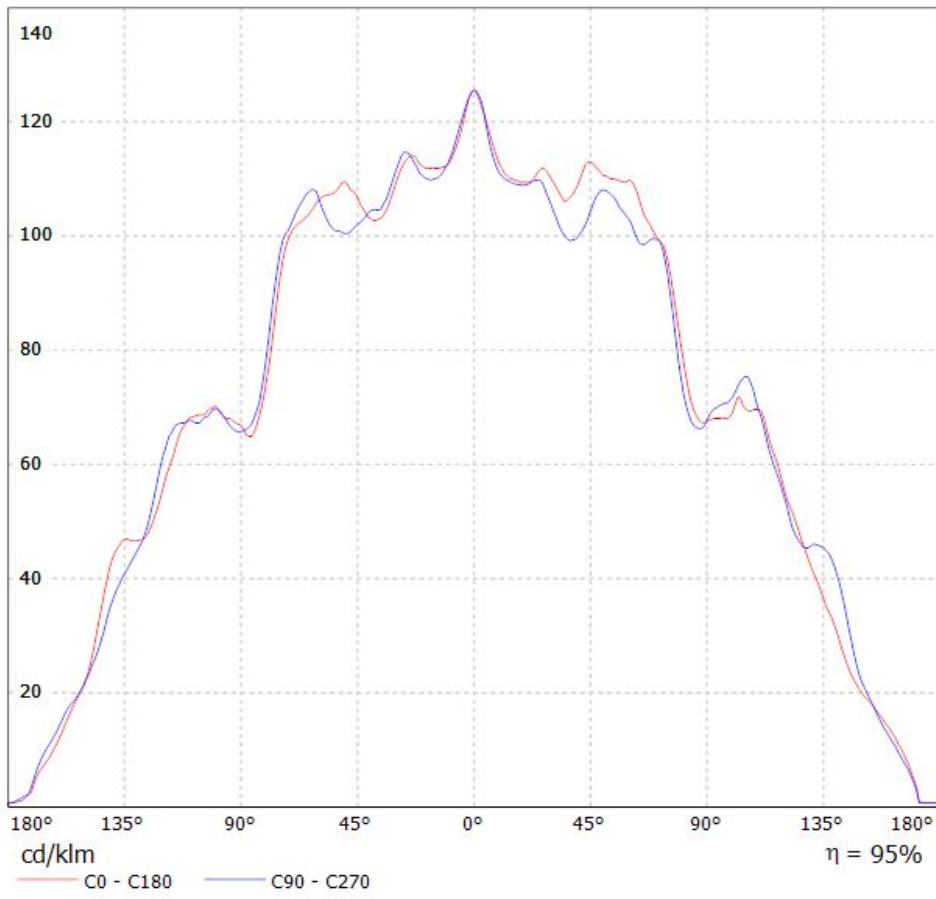


Luminaire: LEDiL Oy FP15072_ZORYA-SC-HEKLA_(CLC020-057A5)
Lamps: 1 x Citizen_CLC020-057A5_872.787lm@360mA_P=12.7948W_I=0.36A



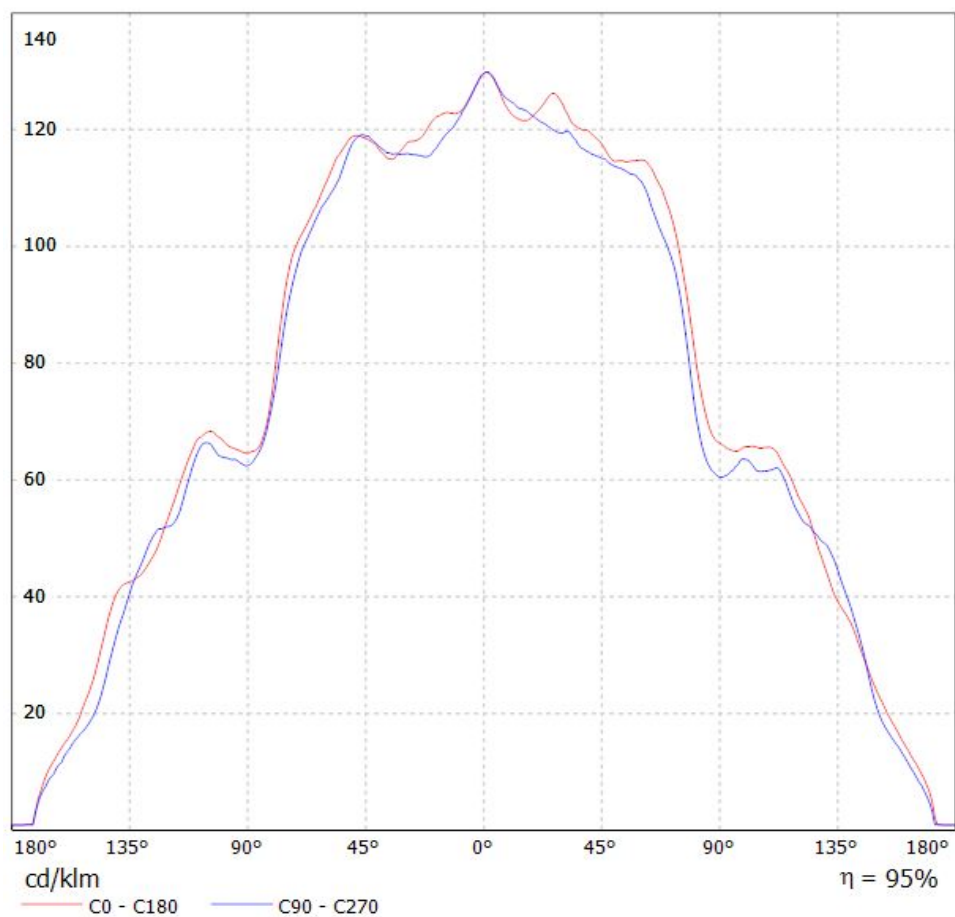
Luminaire: Ledil FP15072_ZORYA-SC-HEKLA_(LCN-C01B)+BW_481_TypL8+C16142

Lamps: 1 x Citizen_TunableWhite_LCN-C01B_CW+Bender_Wirth_481_Typ_L8+C16142_HEKLA-SOCKET-K_1093.89lm@350mA_P=7.83265W_U=22.379V



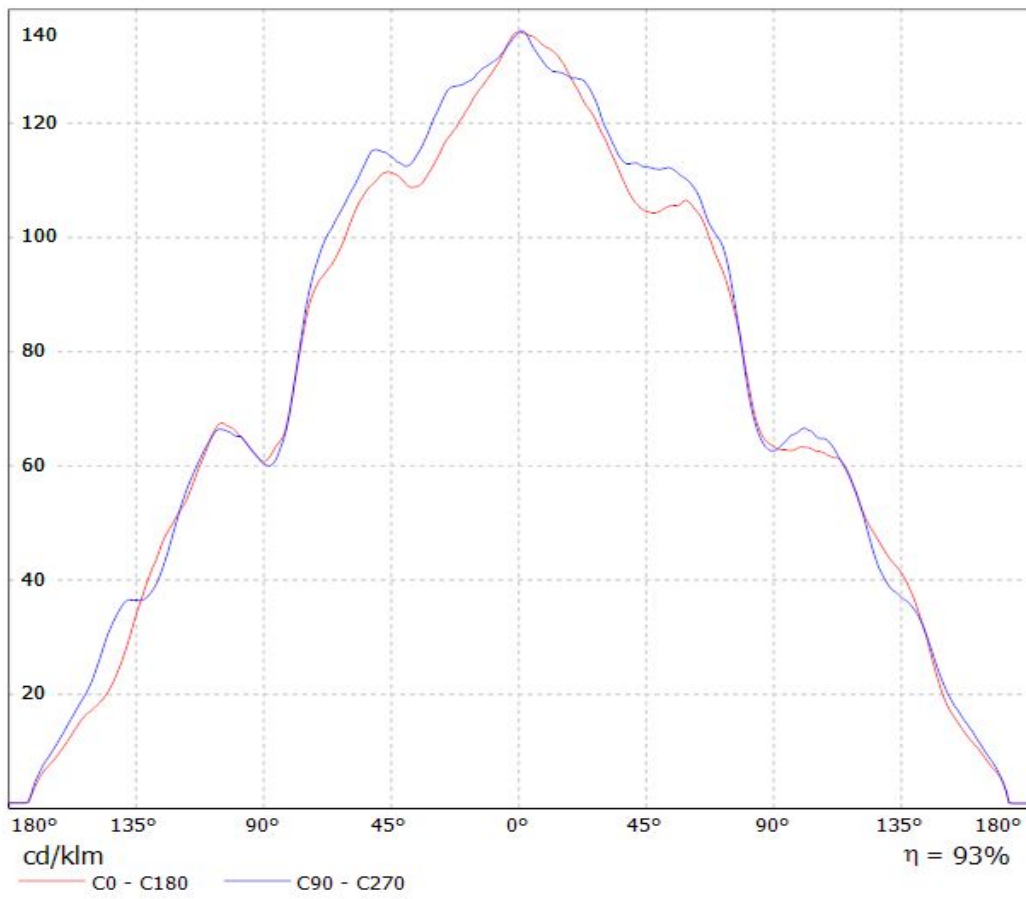
Luminaire: Ledil FP15072_ZORYA-SC-HEKLA_(LCN-C02B)+BW_481_TypL8+C16142

Lamps: 1 x Citizen_TunableWhite_LCN-C02B_CW+Bender_Wirth_481_Typ_L8+C16142_HEKLA-SOCKET-K_2092.82lm@700mA_P=15.6624W_U=22.378V

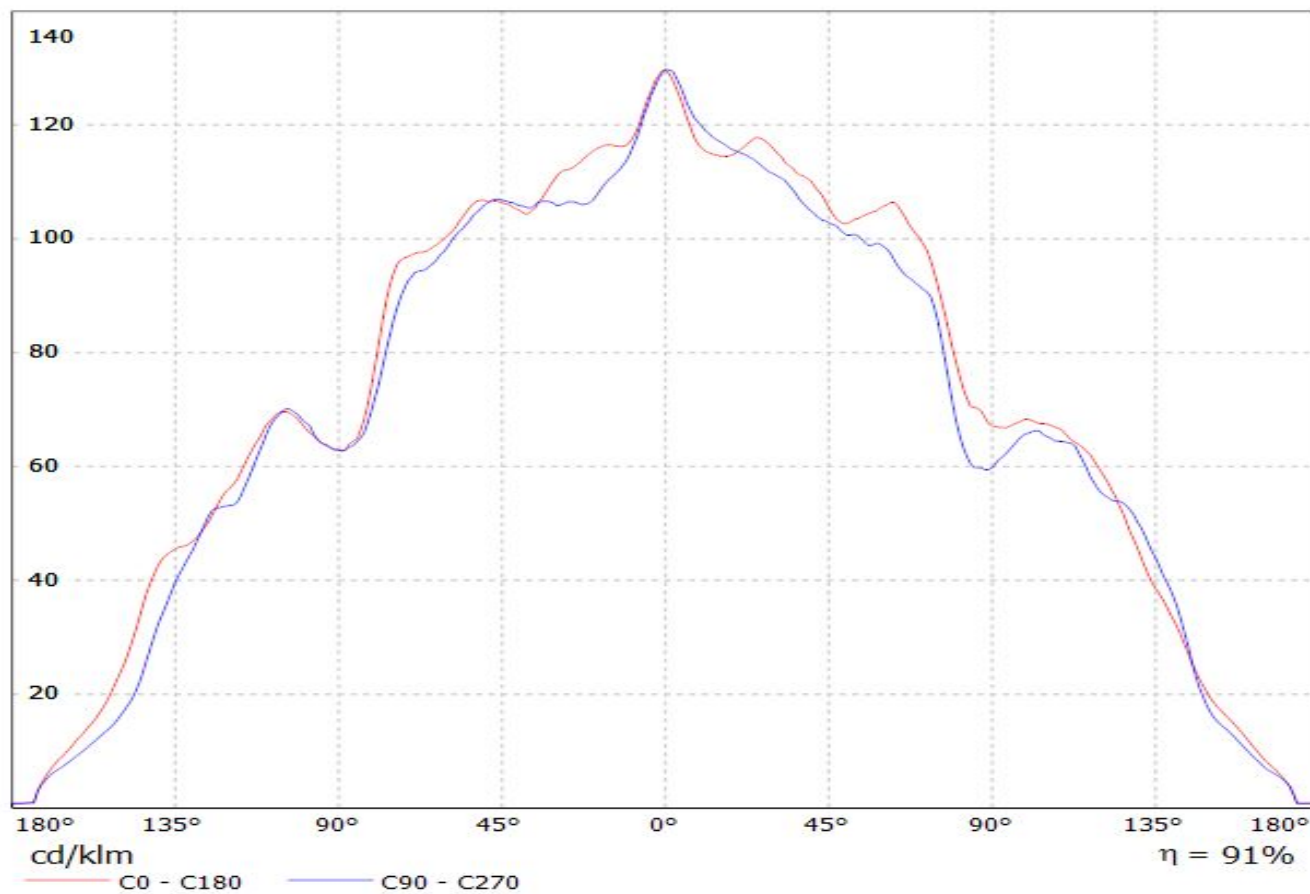


Luminaire: LEDiL Oy FP15072_ZORYA-SC-HEKLA_(SLE_G1_15mm_2000lm+F15859)

Lamps: 1 x Tridonic_SLE_G1_15mm_2000lm_927_Sunset_R_EXC+F15859_HEKLA-SOCKET-I_1716.79lm@500mA_P=17.6999W_U=35.647V

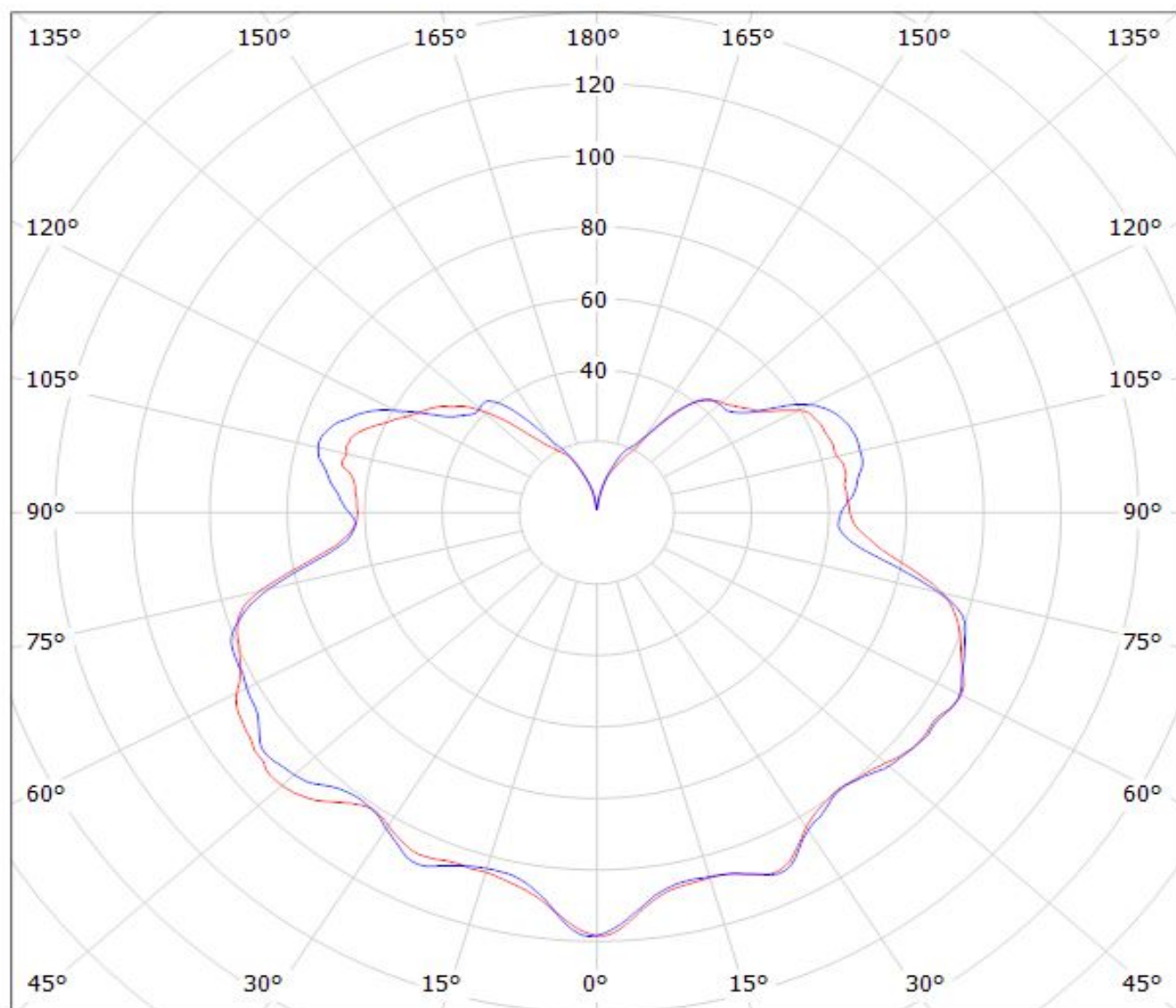


Luminaire: LEDiL Oy FP15072_ZORYA-SC-HEKLA (SLE_G1_11mm_1000lm_927_Sunset_R_EXC+F15859)
Lamps: 1 x Tridonic_SLE_G1_11mm_1000lm_927_Sunset_R_EXC+F15859_HEKLA-SOCKET-I_1346.59lm@500mA_P=20.0129W_U=39.717V



Luminaire: LEDiL Oy FP15072_ZORYA-SC-HEKLA_(Vesta_TW_9mm)

Lamps: 1 x Bridgelux_Vesta_9mm_(12W)_tunable_white_1130.87lm@700mA_P=11.681W_I=0.7A



cd/klm

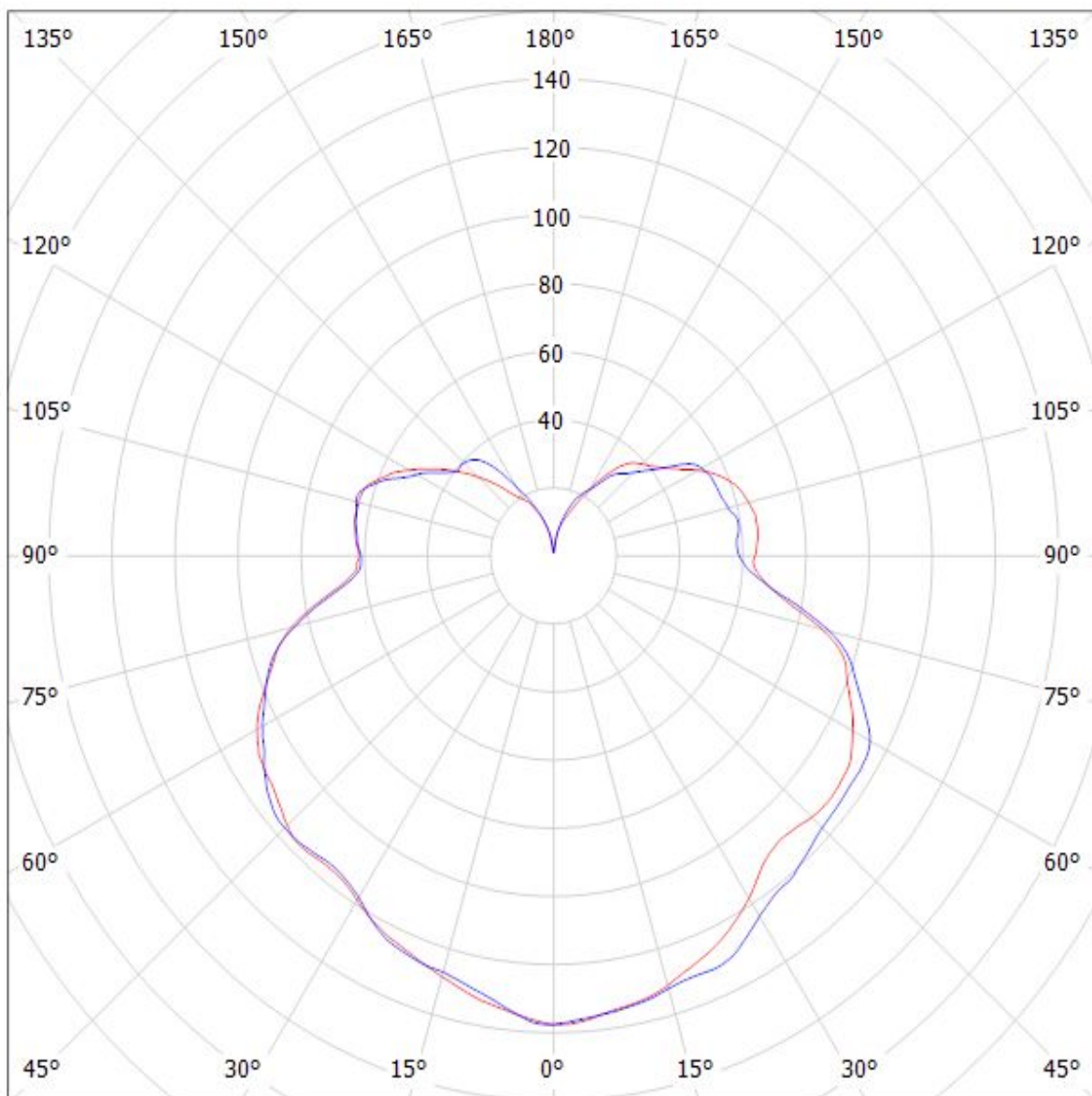
— C0 - C180

— C90 - C270

$\eta = 94\%$

Luminaire: LEDiL Oy FP15072_ZORYA-SC-HEKLA_(CLC030_DTW)

Lamps: 1 x Citizen_CLC030_DTW_(081B8-313G3G3)+BW436_Typl8+C16142_1655.21lm@460mA_P=15.6843W_I=0.46A

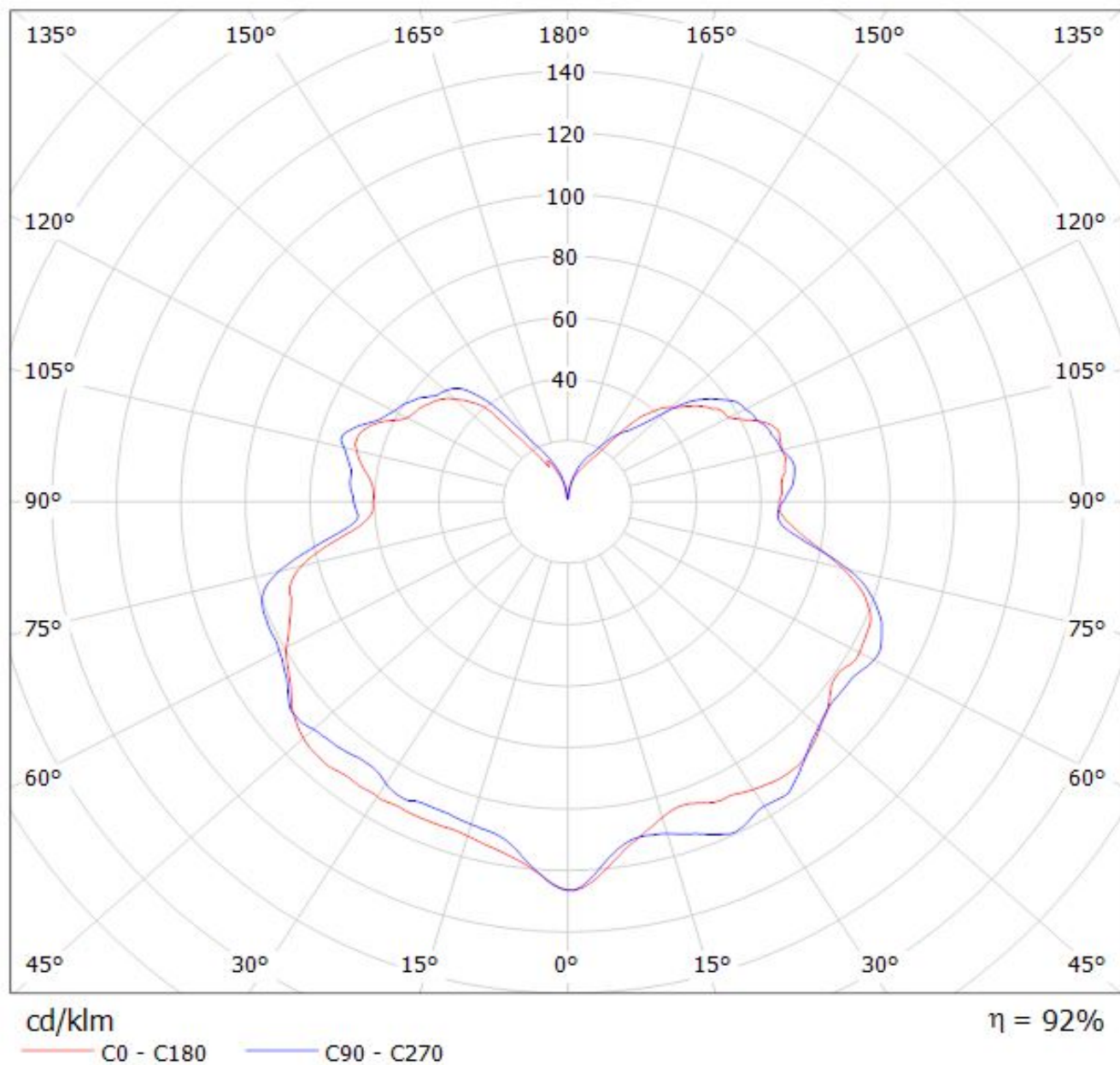


cd/klm

— C0 - C180 — C90 - C270

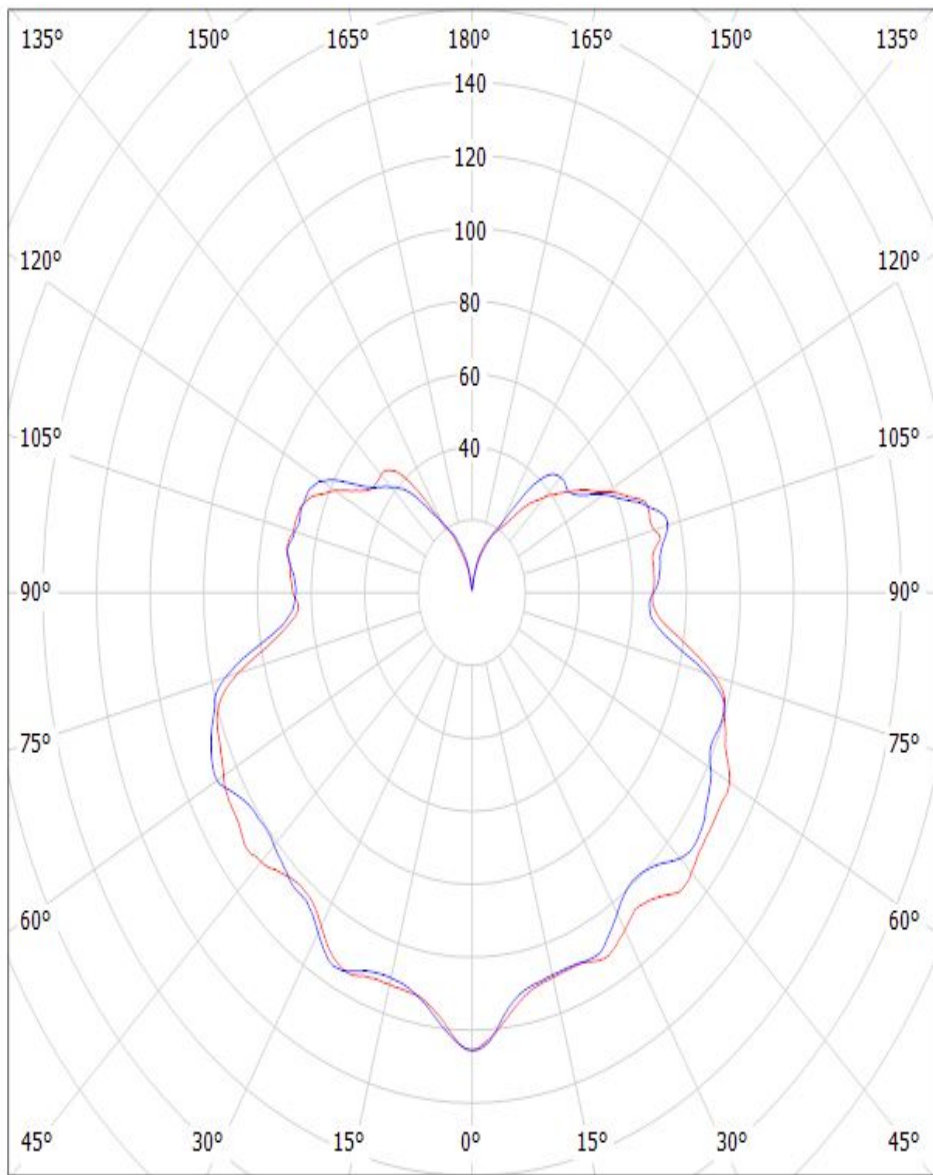
$\eta = 94\%$

Luminaire: LEDiL Oy FP15072_ZORYA-SC-HEKLA_(CLC020-057A5)
Lamps: 1 x Citizen_CLC020-057A5_872.787lm@360mA_P=12.7948W_I=0.36A



Luminaire: Ledil FP15072_ZORYA-SC-HEKLA_(LCN-C01B)+BW_481_TypL8+C16142

Lamps: 1 x Citizen_TunableWhite_LCN-C01B_CW+Bender_Wirth_481_Typ_L8+C16142_HEKLA-SOCKET-K_1093.89lm@350mA_P=7.83265W_U=22.379V



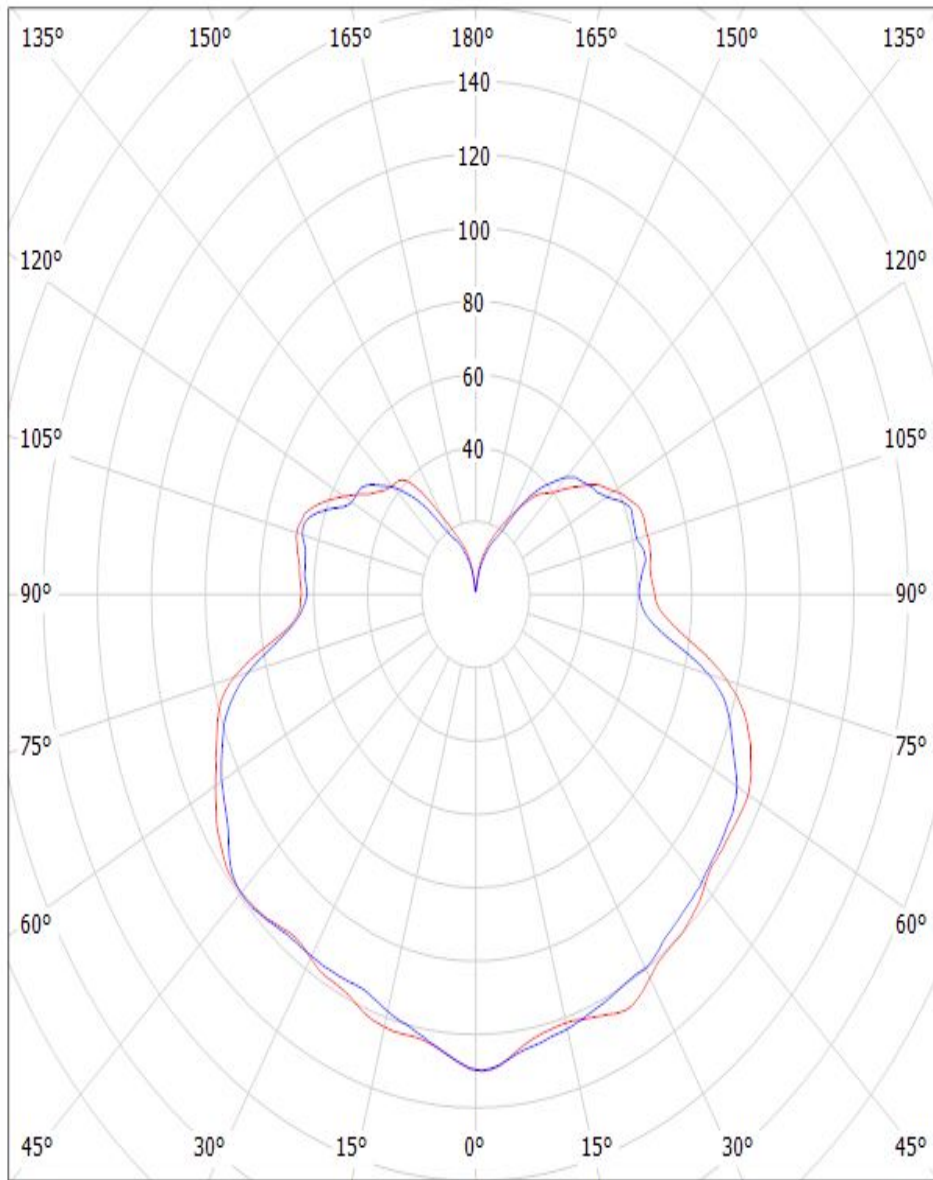
cd/klm

— C0 - C180 — C90 - C270

$\eta = 95\%$

Luminaire: Ledil FP15072_ZORYA-SC-HEKLA_(LCN-C02B)+BW_481_TypL8+C16142

Lamps: 1 x Citizen_TunableWhite_LCN-C02B_CW+Bender_Wirth_481_Typ_L8+C16142_HEKLA-SOCKET-K_2092.82lm@700mA_P=15.6624W_U=22.378V



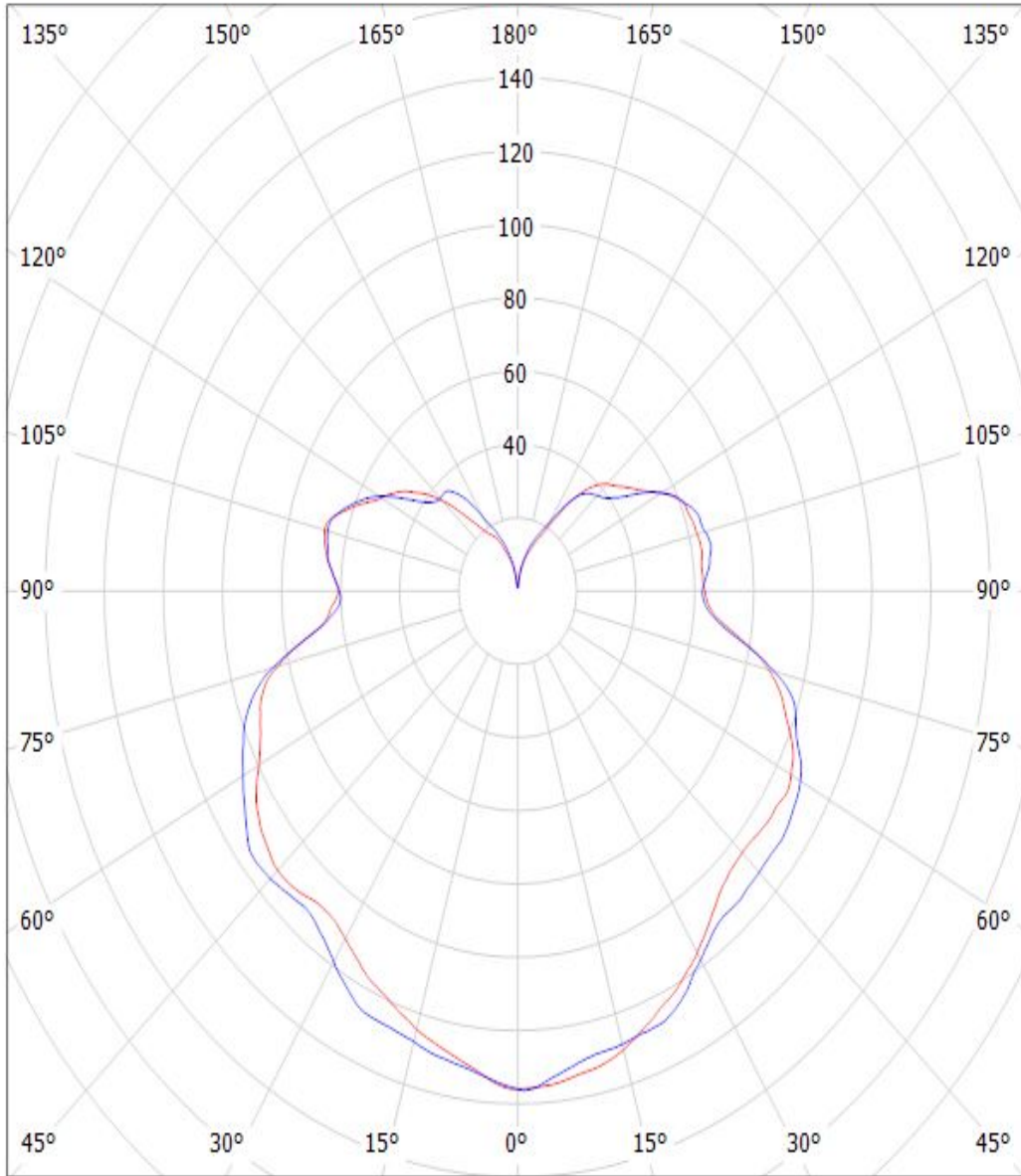
cd/klm

— C0 - C180 — C90 - C270

$\eta = 95\%$

Luminaire: LEDiL Oy FP15072_ZORYA-SC-HEKLA_(SLE_G1_15mm_2000lm+F15859)

Lamps: 1 x Tridonic_SLE_G1_15mm_2000lm_927_Sunset_R_EXC+F15859_HEKLA-SOCKET-I_1716.79lm@500mA_P=17.6999W_U=35.647V

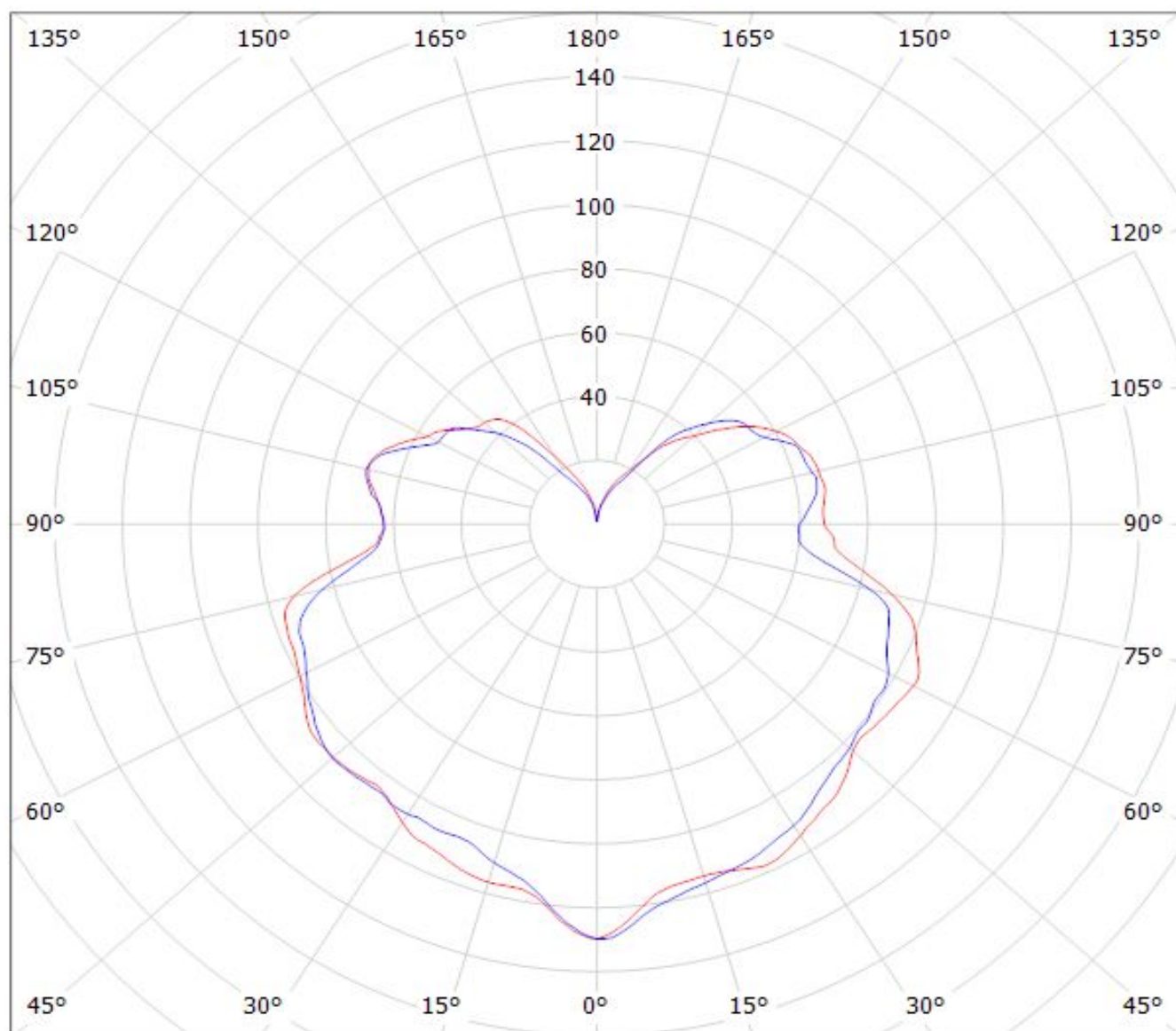


cd/klm

$\eta = 93\%$

— C0 - C180 — C90 - C270

Luminaire: LEDiL Oy FP15072_ZORYA-SC-HEKLA_(SLE_G1_11mm_1000lm_927_Sunset_R_EXC+F15859)
Lamps: 1 x Tridonic_SLE_G1_11mm_1000lm_927_Sunset_R_EXC+F15859_HEKLA-SOCKET-I_1346.59lm@500mA_P=20.0129W_U=39.717V



cd/klm

— C0 - C180 — C90 - C270

$\eta = 91\%$

NOTE: The typical divergence will be changed by different color, chip size and chip position tolerance. The typical total divergence is the full angle measured where the luminous intensity is half of the peak value.

GENERAL INFORMATION

- Product series especially designed & optimized for series of LEDs.
- Special care taken to make light distribution as uniform as possible.

Note! Due to use of high power COB's with this product, special attention to proper thermal design is highly recommended. LEDiL has no liability for direct, indirect or consecutive damages arising from the LEDiL products being used outside of the recommended temperature range.