



PRODUCT DATASHEET

ANGELA series

last update 10/11/2014

DETAILS

Product Number	C13658_CLAMP-VERO13-18
Family	ANGELA
Type	Base part
Color	white
Diameter	50 mm
Height	9,25 mm
Style	round
Optic Material	
Holder Material	PC
Fastening	screw
Status	ready
ROHS Compliant	Yes
Date Updated	10/11/2014

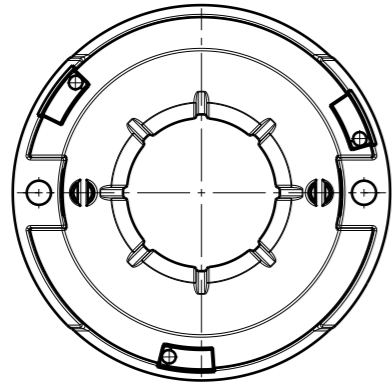


OPTICAL PROPERTIES

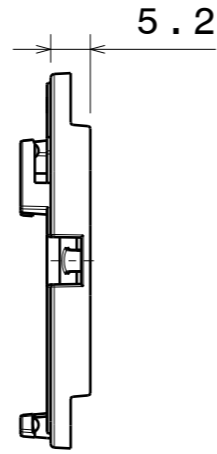
LED	Viewing Angle	Light Beam	Efficiency	cd/lm	Connector
VERO13	N/A deg		-	sim: 0.000	-
VERO18	N/A deg		-	sim: 0.000	-

INDEX	PART NO	DESCRIPTION	MATERIAL
1	C13658	CLAMP-VERO13_18	PC WHITE

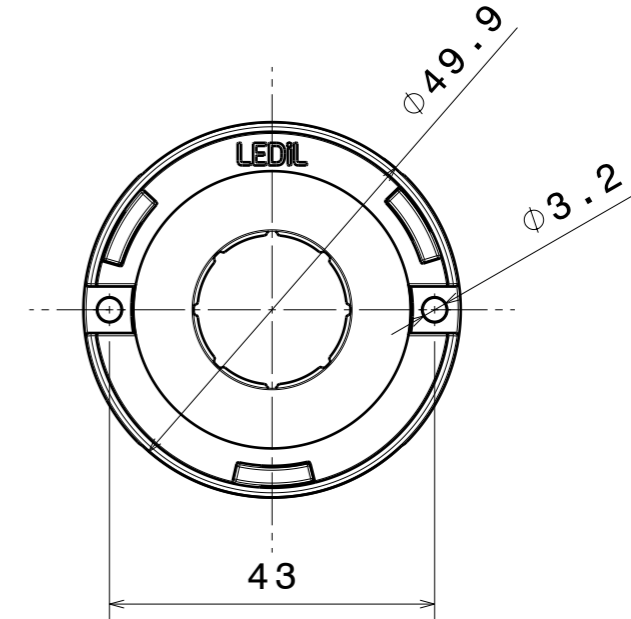
Rear view
Scale: 1:1



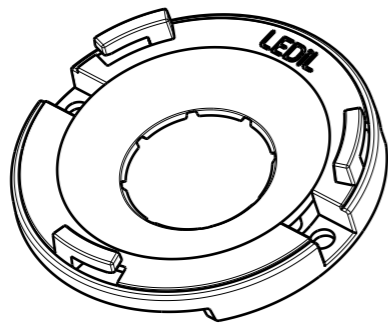
Right view
Scale: 1:1



Front view
Scale: 1:1



Isometric view
Scale: 1:1



This drawing is our property.
It can't be reproduced
or communicated without
our written agreement.



Ledil Oy
Salorankatu 10
FIN 24240 SALO
Finland

DRAWN BY	DATE
-	27.2.2013
CHECKED BY	DATE
-	-
DESIGNED BY	DATE
PL	-

DRAWING TITLE		Part Drawing	
DATASHEET C13658 CLAMP-VERO13 18			
SIZE	PART NUMBER	REV	
A3	C13658	001	
SCALE	1:1	WEIGHT	3,5g
SHEET		1/1	

NOTE: The typical divergence will be changed by different color, chip size and chip position tolerance. The typical total divergence is the full angle measured where the luminous intensity is half of the peak value.

GENERAL INFORMATION

- Product series especially designed & optimized for series of LEDs.
- Special care taken to make light distribution as uniform as possible.

Note! Due to use of high power COB's with this product, special attention to proper thermal design is highly recommended. LEDiL has no liability for direct, indirect or consecutive damages arising from the LEDiL products being used outside of the recommended temperature range.