



# PUP270 AC/DC Switching Power Supply Series

### Features:

- No load power consumption less than 0.15W
- Compliant with DoE level VI/CoC EPS V5 tier 2 requirements
- Meets energy star EPS2.0/ErP lot 7
- With PFC circuit
- Operating altitude up to 5000 meters
- Wide input range 90 to 264 VAC
- 100% burn-in
- Overvoltage protection (latch)
- Overcurrent protection
- Over temperature protection (latch)
- Compliant with RoHS requirements



### Description:

The PUP270 series of AC/DC switching power supplies are for 240-270 watts of continuous output power. They are enclosed in a 94V-0 rated plastic cases an IEC320/C14 inlet to mate with interchangeable cord for world-wide use. All models meet EN55022, EN55024 and FCC class B emission limits, and comply with UL, CSA, IEC and CE requirements.

Part Number	Output Voltage	Min. Current	Max. Current	Tolerance	Ripple & Noise	Wattage	Average Efficiency @115/230 Vac
PUP270-12-S	12V	0A	20.00A	±5%	240mV	240W	89/89%
PUP270-13-2-S	19V	0A	14.21A	±5%	300mV	270W	89/89%
PUP270-14-S	24V	0A	11.25A	±5%	300mV	270W	89/89%
PUP270-18-S	48V	0A	5.62A	±5%	500mV	270W	89/89%
PUP270-19-S	54V	0A	5.00A	±5%	550mV	270W	89/89%

### NOTES:

1. Ripple and noise is maximum peak to peak voltage value measured at output within 20 MHz bandwidth, at rated line voltage and output load ranges, and with a 47 µF electrolytic capacitor in parallel with a 0.1 µF ceramic capacitor across the output



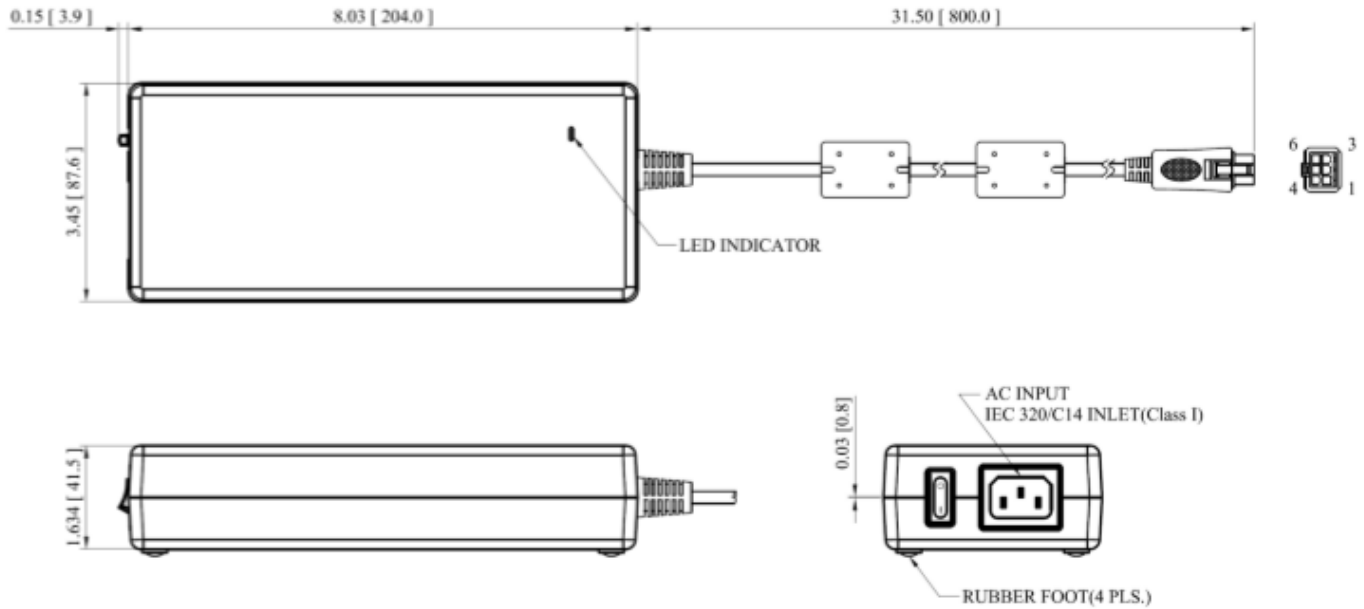
## PUP270 AC/DC Switching Power Supply Series

Specifications	
<b>Safety Standards &amp; EMC Specifications</b>	
Safety Standard Approvals	UL 62368-1 File No. E190414 CSA C22.2 No. 62368-1 TÜV EN 62368-1
EMI Standard	EN55032, FCC, and VCCI Class B (radiated and conducted)
EMC Performance	EN61000-3-2: Harmonic distortion, Class D EN61000-3-3: Line flicker EN55024 EN61000-4-2: ESD, ±15 KV air and ±8 KV contact EN61000-4-3: Radiated immunity, 3V/m EN61000-4-4: Fast transient/burst, ±1 KV EN61000-4-5: Surge, ±1 KV diff., ±2 KV com. EN61000-4-6: Conducted immunity, 3Vrms EN61000-4-8: Magnetic field immunity, 1A/m EN61000-4-11: Voltage dip immunity, 30% reduction for 500ms, and >95% reduction for 10ms
*Consult with TT Electronics for information on additional country safety approvals	
<b>Input Specifications</b>	
Input Voltage Range	90 to 264 Vdc
Input Frequency Range	47 to 63Hz
Input Current	2.7A (rms) for 115 VAC or 1.4A (rms) for 230 VAC Maximum
Earth Leakage Current	3.5mA max. @ 264 VAC, 63Hz
<b>Output Specifications</b>	
Output Connection Type	JWT Mini - Fit receptacle, P/N: C4202H00-2x3P with female terminal C4202T2*-2 or equivalent, mating with JWT socket C4201H0*-2x3P and male terminal C4201T2*-2 or equivalent. It also mates with JWT headers C4201WR*-2x3P, C4201WV*-2x3P, or equivalent.
Over Voltage Protection	Set at 110–140% of its nominal output voltage
Over Current Protection	All models protected to short circuit conditions
Temperature Coefficient	All outputs ±0.04%/°C maximum
Transient Response	Maximum excursion of 4% or better on all models, recovering to 1% of final value within 500 µs after a 25% step load change
<b>Environmental Specifications</b>	
Operating Temperature	0°C → +40°C (41°C to 60°C with derating)
Storage Temperature	-20°C → 80°C
Storage Humidity	10% to 90% non-condensing
<b>General Specifications</b>	
Hold-up Time	10ms minimum at 100 VAC
Turn on Delay Time	3s maximum at 100 VAC
Power Factor	0.98 Typical @ 115 VAC
Line Regulation	±0.5% maximum at full load
Inrush Current	90A @ 115 VAC or 180A @ 230 VAC at 25°C cold start
Withstand Voltage	4242 VDC input to output, 2500 VDC input to ground
MTBF	300,000 hours at full load at 25°C ambient, calculated per SR332



# PUP270 AC/DC Switching Power Supply Series

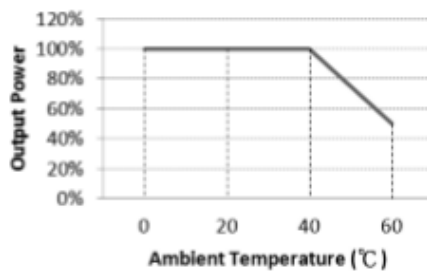
## Diagrams



### NOTES:

1. Dimensions shown in inches [mm]
2. Tolerance 0.02 [0.5] maximum
3. Weight: 1100 grams (2.425 lbs.) approx.
4. Output connector is JWT Mini - Fit receptacle, P/N: C4202H00-2x3P with female terminal C4202T2\*-2 or equivalent, mating with JWT socket C4201H0\*-2x3P and male terminal C4201T2\*-2 or equivalent. It also mates with JWT headers C4201WVR\*-2x3P, C4201WV\*-2x3P, or equivalent.
5. V1 return (-) is electrical connected to incoming Earth Ground through two 1.2K ohm resistors as standard.

## OUTPUT POWER DERATING CURVE



## PIN CHART

PIN	1	2	3	4	5	6
	+V1	+V1	+V1	V1 Return	V1 Return	V1 Return