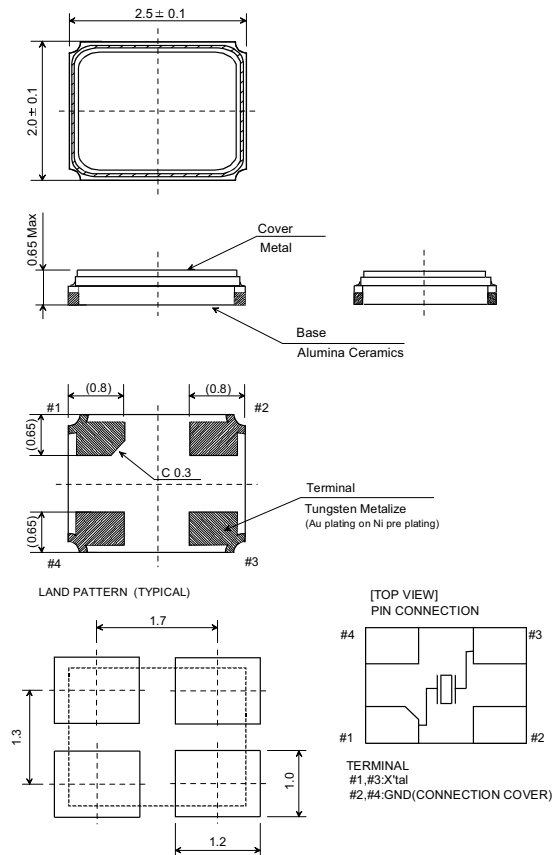


Specification of Crystal Unit

1	NDK PART NUMBER	NX2520SA-26.000000MHz-B9
2	CHIPSET MAKER	NXP (PHILIPS)
3	APPLICATION	Wireless LAN
4	CHIPSET NAME	Sysol 6120, Sysol 6130
5	Type	NX2520SA
6	Electrical characteristics	
6.1	Nominal frequency(F0)	26.000MHz
6.2	Overtone order	Fundamental
6.3	Adjustment tolerance	$\pm 10 \times 10^{-6}$ max. (+25 °C)
6.4	Tolerance over the temperature range	$\pm 10 \times 10^{-6}$ max. (-20~+70 °C) The reference temperature shall be +25 °C.
6.5	Equivalent resistance (R1)	100Ω max.
6.6	Shunt Capacitance (C0)	7.0 pF max.
6.7	Maximum Drive Level	100μW max.
7	Measurement circuit	
7.2	Frequency measurement	
7.1.1	Measuring instrument	π circuit
7.1.2	Load capacitance(CL)	10pF
7.1.3	Level of drive	10μW
7.2	Equivalent resistance measurement	
7.2.1	Measuring instrument	π circuit
7.2.2	Load capacitance(CL)	Series
7.2.3	Level of drive	10μW
8	Dimension	



Mouser Electronics

Authorized Distributor

Click to View Pricing, Inventory, Delivery & Lifecycle Information:

NDK:

[NX2520SA-26.000000MHZ-B9](#)