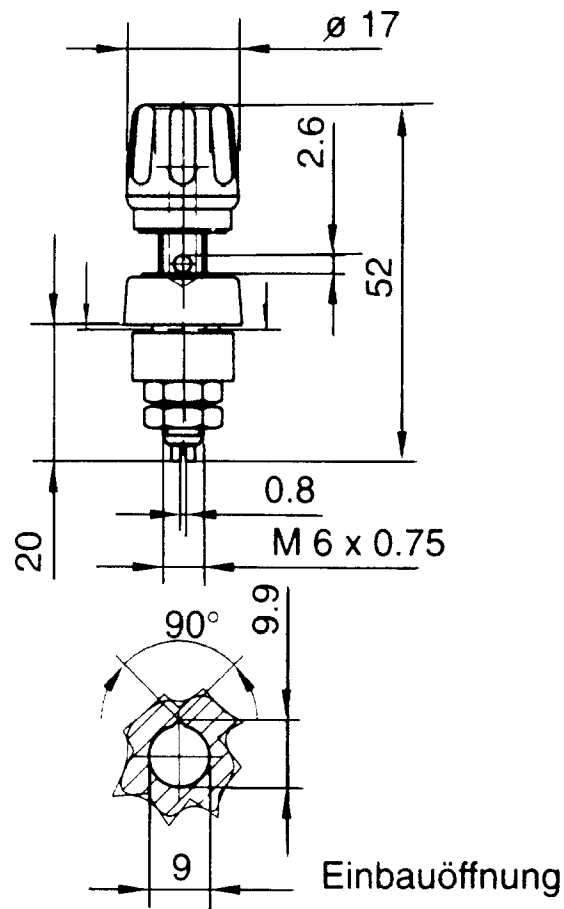


Panel Terminal Screw Head 4mm Socket Black/Red



Pole terminal with claw edge, captive insulated head and insulating ring. 4 mm diameter nickel-plated brass threaded bolt with 2.6 mm diameter transverse hole. For insulated non-rotating installation in equipment chassis and switchpanels up to 3.5 mm wall thickness.

60 V DC

63 A

2 m Ω

-25°C ... +100°C

M 6 Gewinde

M 6 thread

Filetage M 6