

# Single-pole Illuminated Rocker Switch

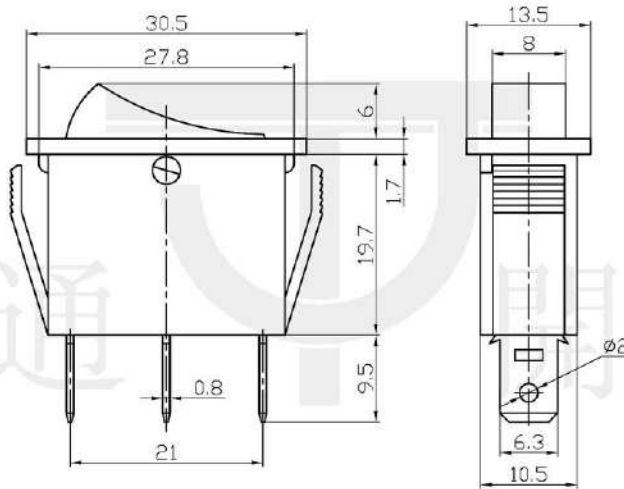
**Q-1315**

TYPE: **IRS-101-5C**

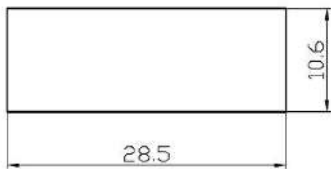
## SPECIFICATIONS

Contact Type: SPST  
Rating: 15A 250V AC  
Contact R: 35mΩ max  
Insulation R: 500V DC 100MΩ min  
Dielectric Strength: 1 Minute 1500V AC  
Operating Temperature: -25°C ~ +85°C  
Electrical Life: 10,000 Cycles

Outline Drawing



Mounting



Circuitry

