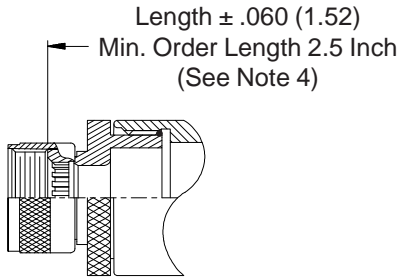
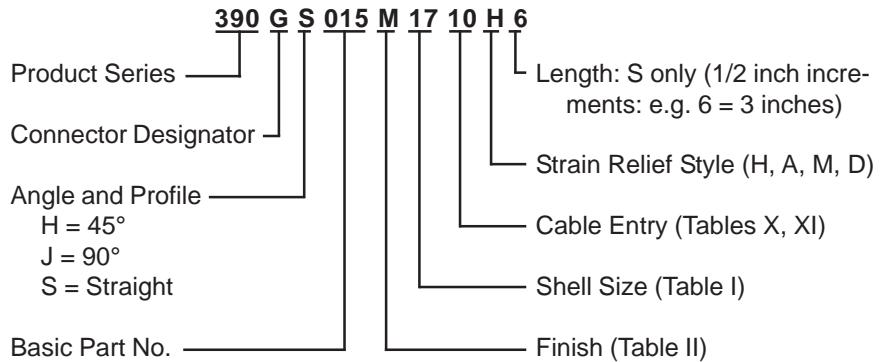


**CONNECTOR DESIGNATOR**

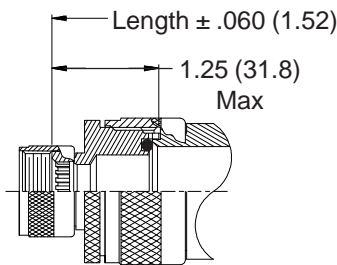
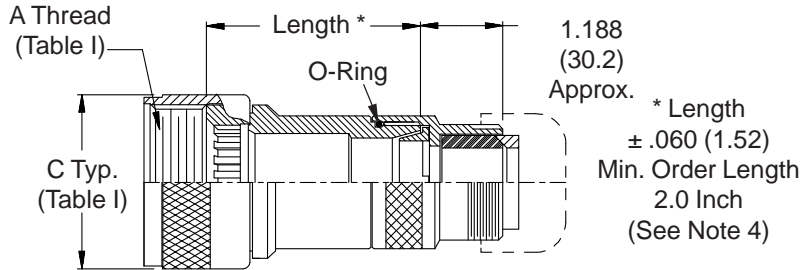


**ROTATABLE COUPLING**

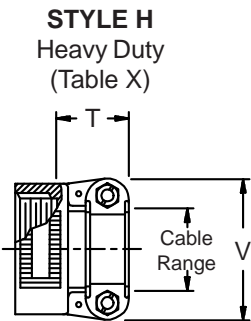
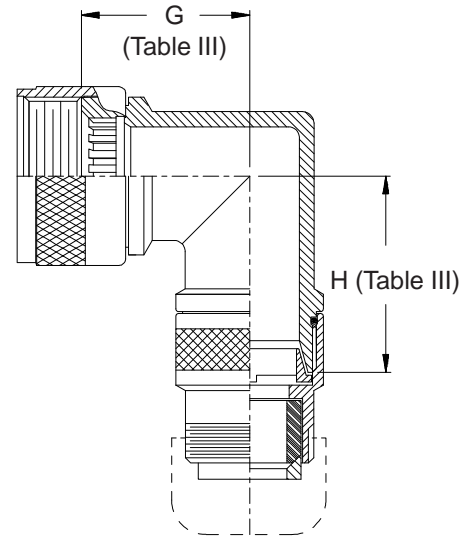
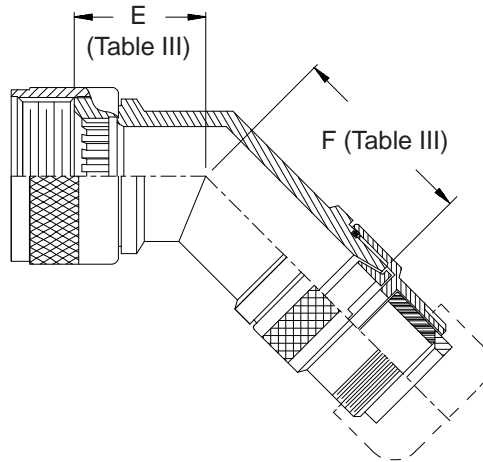
**TYPE B INDIVIDUAL AND/OR OVERALL SHIELD TERMINATION**



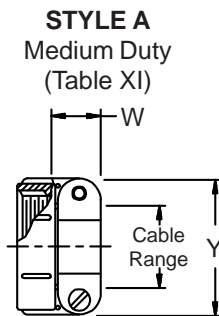
**STYLE 2 (STRAIGHT See Note 1)**



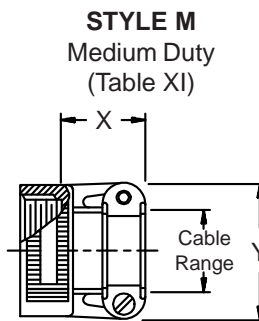
**STYLE 2 (45° & 90° See Note 1)**



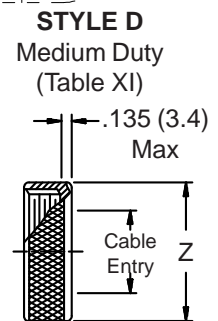
**STYLE H Heavy Duty (Table X)**



**STYLE A Medium Duty (Table XI)**



**STYLE M Medium Duty (Table XI)**



**STYLE D Medium Duty (Table XI)**

**390-015**  
**Submersible EMI/RFI Cable Sealing Backshell**  
**with Strain Relief**  
**Type B - Rotatable Coupling - Standard Profile**



See inside back cover fold-out or pages 13 and 14 for Tables I and II.

**TABLE III: ELBOW DIMENSIONS**

<b>Shell Size</b>	<b>E Max</b>	<b>F Max</b>	<b>G Max</b>	<b>H Max</b>
11	1.240 (31.5)	1.100 (27.9)	1.380 (35.1)	1.240 (31.5)
13	1.260 (32.0)	1.120 (28.4)	1.440 (36.6)	1.300 (33.0)
15	1.290 (32.8)	1.172 (29.8)	1.500 (38.1)	1.392 (35.4)
17	1.310 (33.3)	1.192 (30.3)	1.570 (39.9)	1.452 (36.9)
19	1.340 (34.0)	1.312 (33.3)	1.630 (41.4)	1.622 (41.2)
23	1.380 (35.1)	1.352 (34.3)	1.730 (43.9)	1.702 (43.2)
25	1.410 (35.8)	1.382 (35.1)	1.800 (45.7)	1.772 (45.0)
29	1.580 (40.1)	1.612 (40.9)	2.040 (51.8)	2.072 (52.6)
33	1.620 (41.1)	1.632 (41.5)	2.130 (54.1)	2.142 (54.4)

**TABLE X: CABLE ENTRY**


<b>Dash No.</b>	<b>T Max</b>	<b>V Max</b>	<b>Cable Range</b>			
			<b>Min</b>	<b>Max</b>		
04	.780 (19.8)	.957 (24.3)	.125 (3.2)	.312 (7.9)		
06	.780 (19.8)	1.145 (29.1)	.250 (6.4)	.437 (11.1)		
08	.780 (19.8)	1.332 (33.8)	.387 (9.8)	.562 (14.3)		
10	.780 (19.8)	1.332 (33.8)	.350 (8.9)	.625 (15.9)		
12	.811 (20.6)	1.551 (39.4)	.500 (12.7)	.750 (19.1)		
16	.905 (23.0)	1.770 (45.0)	.625 (15.9)	.937 (23.8)		
20	1.092 (27.7)	2.113 (53.7)	.875 (22.2)	1.250 (31.8)		
24	1.124 (28.5)	2.363 (60.0)	1.000 (25.4)	1.375 (34.9)		
28	1.399 (35.5)	2.770 (70.4)	1.250 (31.8)	1.625 (41.3)		
32	1.399 (35.5)	3.020 (76.7)	1.437 (36.5)	1.875 (47.6)		

- When maximum cable entry (page 21) is exceeded, Style 2 will be supplied. Dimensions E, F, G and H will not apply. Please consult factory.
- Metric dimensions (mm) are indicated in parentheses.
- Cable range is defined as the accommodations range for the wire bundle or cable. Dimensions shown are not intended for inspection criteria.
- Consult factory for shorter lengths on straight backshells.

**TABLE XI: CABLE ENTRY**

<b>Dash No.</b>	<b>W Max</b>	<b>X Max</b>	<b>Y Max</b>	<b>Z Max</b>	<b>Cable Range</b>			
					<b>Min</b> **	<b>Max</b>		
03*	.437 (11.1)	.760 (19.3)	.843 (21.4)	.630 (16.0)	.156 (4.0)	.250 (6.4)		
04*	.437 (11.1)	.760 (19.3)	.906 (23.0)	.755 (19.2)	.188 (4.8)	.312 (7.9)		
06*	.500 (12.7)	.760 (19.3)	1.093 (27.8)	.942 (23.9)	.281 (7.1)	.438 (11.1)		
08	.563 (14.3)	.760 (19.3)	1.187 (30.1)	1.067 (27.1)	.387 (9.8)	.562 (14.3)		
10	.563 (14.3)	.760 (19.3)	1.281 (32.5)	1.192 (30.3)	.375 (9.5)	.625 (15.9)		
12	.563 (14.3)	.760 (19.3)	1.500 (38.1)	1.380 (35.1)	.438 (11.1)	.750 (19.1)		
16	.656 (16.7)	1.073 (27.3)	1.719 (43.7)	1.535 (39.0)	.625 (15.9)	.938 (23.8)		
20	.656 (16.7)	1.323 (33.6)	2.062 (52.4)	1.848 (46.9)	.875 (22.2)	1.250 (31.8)		
24	.656 (16.7)	1.323 (33.6)	2.312 (58.7)	2.255 (57.3)	1.000 (25.4)	1.375 (34.9)		
28	1.188 (30.2)	1.572 (39.9)	2.719 (69.1)	2.505 (63.6)	1.250 (31.8)	1.625 (41.3)		
32*	1.187 (30.1)	1.572 (39.9)	2.969 (75.4)	2.755 (70.0)	1.437 (36.5)	1.875 (47.6)		
40*	1.125 (28.6)	1.572 (39.9)	3.531 (89.7)	3.255 (82.7)	1.875 (47.6)	2.375 (60.3)		

\* Not available in Style M clamp.      \*\* Not Applicable Style D


**Add "-445" to Specify Glenair's Non-Detent, ("NESTOR") Spring-Loaded, Self-Locking Coupling.**  
**See Page 41 for Details.**

# Mouser Electronics

Authorized Distributor

Click to View Pricing, Inventory, Delivery & Lifecycle Information:

[Glenair:](#)

[390GS015NF1506A6](#) [390GS015NF1520M6](#) [390GS015NF1720A6](#) [390GS015NF1720M6](#) [390GS015NF1920M6](#)  
[390GS015NF3316M6](#) [390GS015NF2510M6](#)