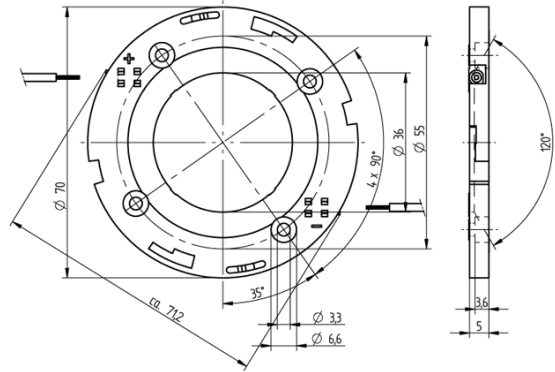


# COB connector Ø 70 mm for LED array 38 x 38 mm 47.319.4160.50



0,25 - 0,5 mm<sup>2</sup>



0,5 mm<sup>2</sup>

# COB connector Ø 70 mm for LED array 38 x 38 mm 47.319.4160.50



## DESCRIPTION

With integrated reflector interface  
Screw mounting: for screws M3 and locking washer  
Max. torque for screw fixing 0.5 Nm\*  
Strip length: 7-1 mm  
Polarity of LED must be observed  
Specifications of LED manufacturer must be observed  
cURus: For limited applications  
VDE-Reg. No. E289  
\*Please note the max torque of the COB manufacturer

Packaging quantity:	240.000
Product name:	COB connector Ø 70 mm for LED array 38 x 38 mm
Packaging type:	Bag
Country of origin:	DE
Mounting method 1:	Screw mount
Mounting method 2:	P2F fixing with 28.902.-102
Prefixation of COB:	Yes
Material:	Housing: PBT Contacts: CuSn
LED manufacturer:	Seoul Semiconductor, Xicato, LUMILEDS, Luminus, Itswell, Citizen
LED Typ:	COB-W series, COB 1321, SAW x33EAA, CXM-32 / CVM-32, CLU05X, XOB32, COB 1825
Conductor cross-section:	0.5 mm <sup>2</sup>
Approval:	cURus
cULus file no.:	E-345385
Rating:	3A / 150 VDC
Weight:	7
Pkg.:	240

## Suitable for the following LED models:

LED Manufacturer	LED Type	More Information
Itswell	COB-W series	<a href="http://www.itswell.com">http://www.itswell.com</a>
Citizen	CLU05X	<a href="http://ce.citizen.co.jp">http://ce.citizen.co.jp</a>
LUMILEDS	COB 1321	<a href="http://www.philipslumileds.com">http://www.philipslumileds.com</a>
LUMILEDS	COB 1825	<a href="http://www.philipslumileds.com">http://www.philipslumileds.com</a>
Seoul Semiconductor	SAW x33EAA	<a href="http://www.seoulsemicon.com">http://www.seoulsemicon.com</a>
Luminus	CXM-32 / CVM-32	<a href="http://www.luminus.com">http://www.luminus.com</a>
Xicato	XOB32	<a href="https://www.xicato.com/">https://www.xicato.com/</a>