



Outside Micrometer Economy Design

25-50mm

Item number: 103-138



Description

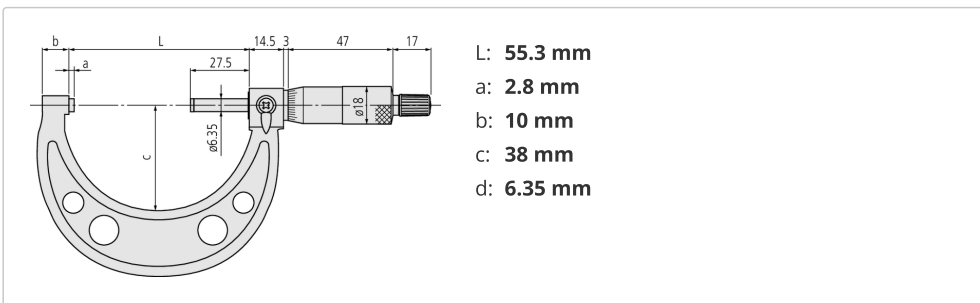
Lightweight workshop design with baked-enamel-finished frame.

- Equipped with Ratchet Stop for constant measuring force.

Specification

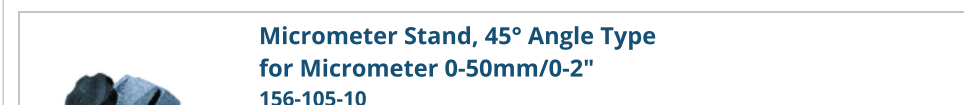
Range:	25 - 50 mm
Maximum Permissible Error J MPE:	±2 μm
Measuring force:	5 - 10 N
Mass:	215 g
Parallelism:	(2+L/100) μm, L = max. range (mm)
Measuring face:	Carbide-tipped, micro-lap finish
Measuring spindle:	With spindle lock, ø6,35 mm (≤300 mm) ø 8 mm (>300 mm), spindle pitch 0,5 mm
Scale:	Thimble and sleeve satin chrome finish, ø18 mm
Digital/Analog:	Analog
Inch-Metric:	Metric
Graduation:	0,01 mm
Delivered:	Including box, setting standard (from 25 mm upward), key, certificate of inspection (0-50 mm range)

Dimensions



Accessories

Optional accessories:





List Price

£41.40 inc. VAT

£34.50 ex. VAT



**Micrometer Stand, Adjustable Angle Type
for Micrometer 0-100mm/0-4"**

156-101-10

List Price

£54.60 inc. VAT

£45.50 ex. VAT

Standard accessories:



**Micrometer Setting Standard
Length: 25mm**

167-101

List Price

£16.68 inc. VAT

£13.90 ex. VAT