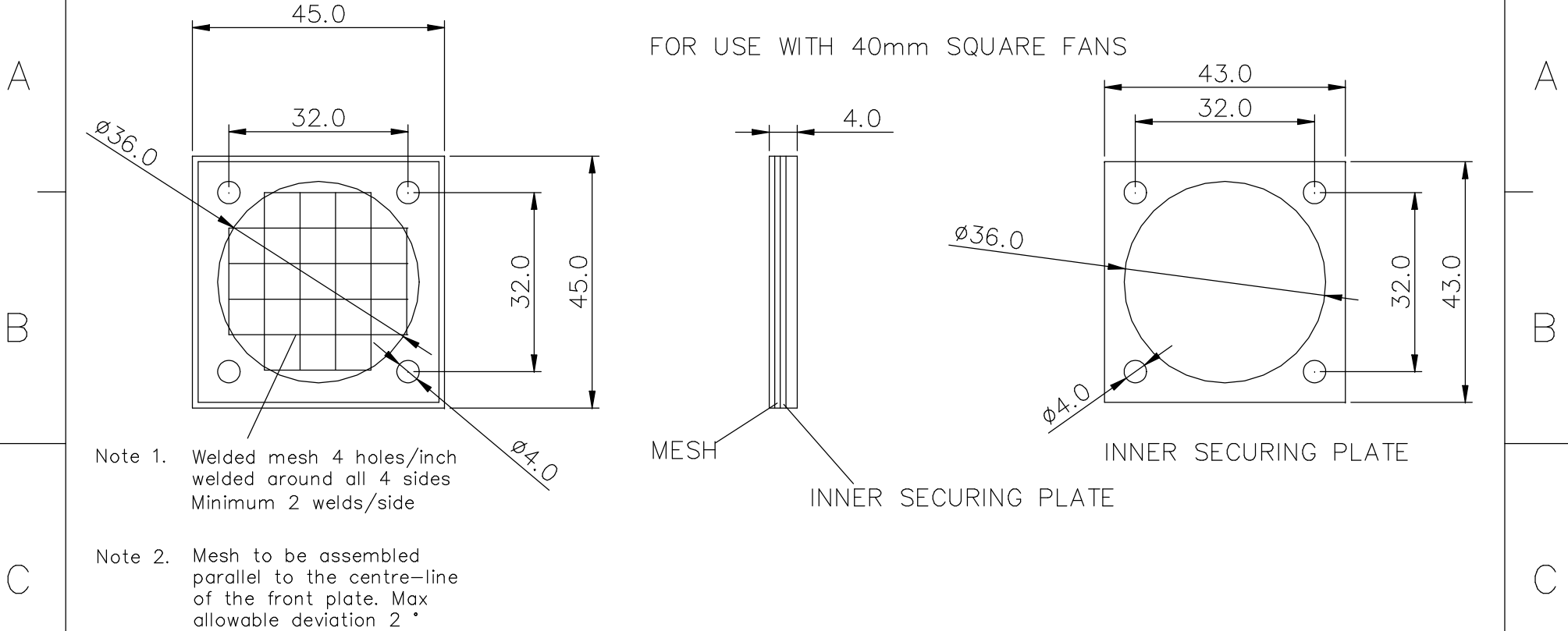


DRAWN TO BS.8888

FOR USE WITH 40mm SQUARE FANS



Note 1. Welded mesh 4 holes/inch welded around all 4 sides Minimum 2 welds/side

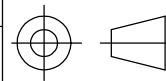
Note 2. Mesh to be assembled parallel to the centre-line of the front plate. Max allowable deviation 2°

DO NOT SCALE REMOVE ALL BURRS AND SHARP EDGES

2	25.02.04	1757
1	20/02/02	1537
REV.	DATE	MOD NO.

MATERIAL  
MESH 0.75mm DIA STEEL  
PLATE 0.85mm STEEL

SCALE  
NTS  
CHKD



**PAPST plc**

DIMENSIONS IN MM U.O.S  
UNTOLERANCED DIMS:  
NO DEC.PLACE ±0.5 MM  
1 DEC.PLACE ±0.2 MM  
2 DEC.PLACES ±0.1 MM  
ANGULAR ±0.5°

FINISH  
NICKEL PLATED

DRAWN  
PY  
REV.  
2

z2002  
DATE  
20/02/02  
PLC PART No.

TITLE PRF40 ( RFI SCREEN)

DRG.NO.  
ACDR2271  
SHT OF