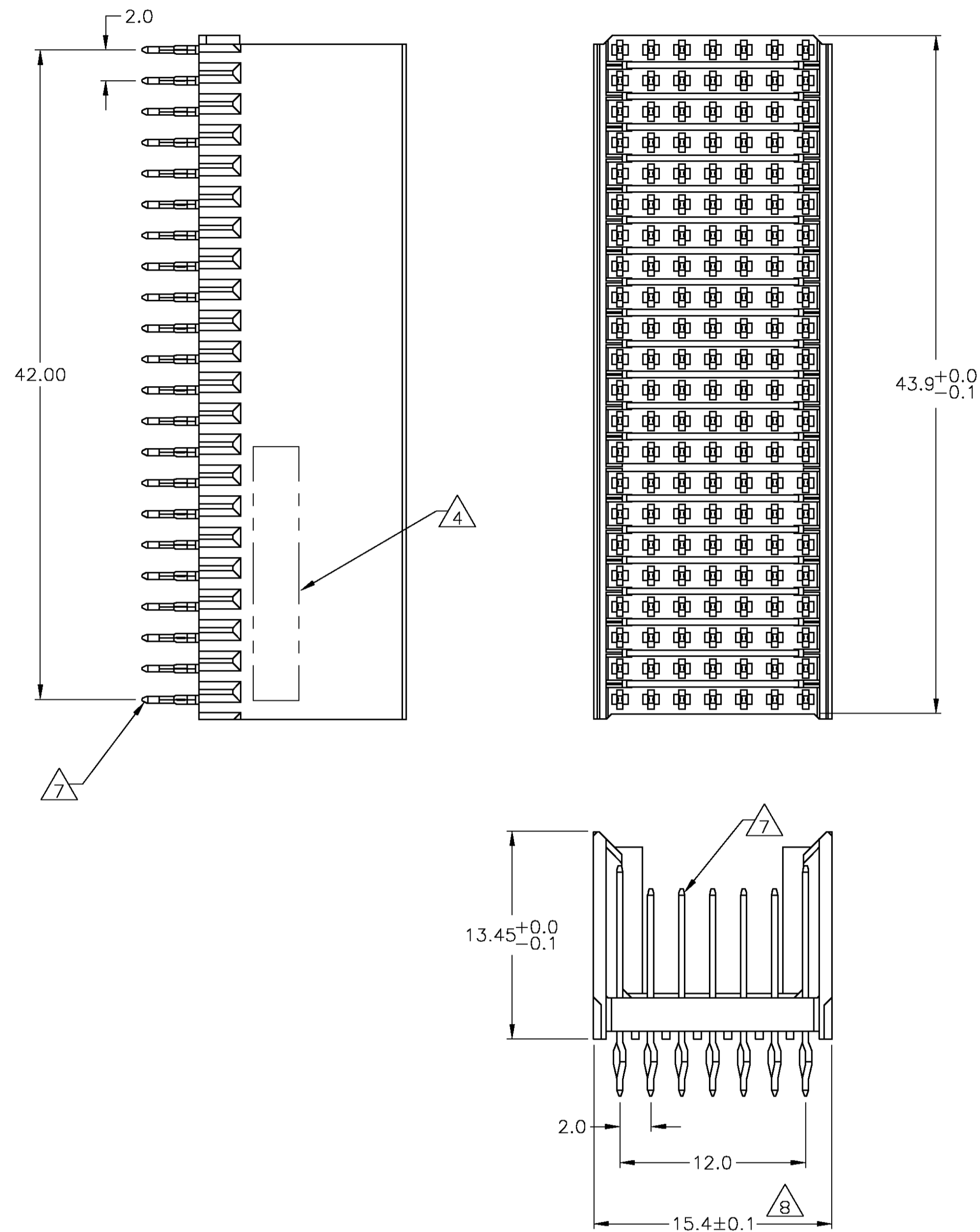
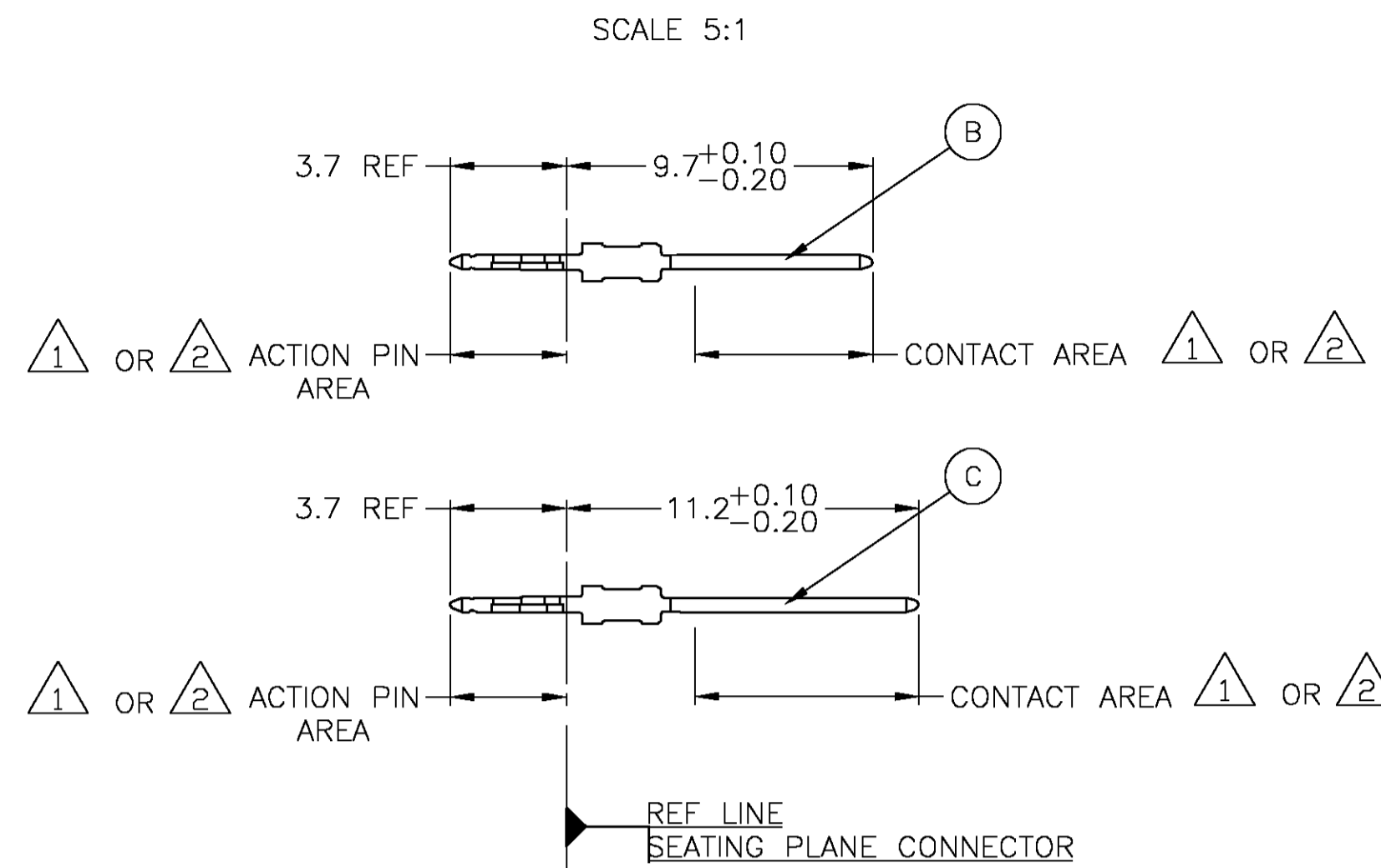


# CONNECTOR ASSEMBLY EXAMPLARY LOADED



## CONTACT DIMENSIONS



## CONTACT LAYOUT

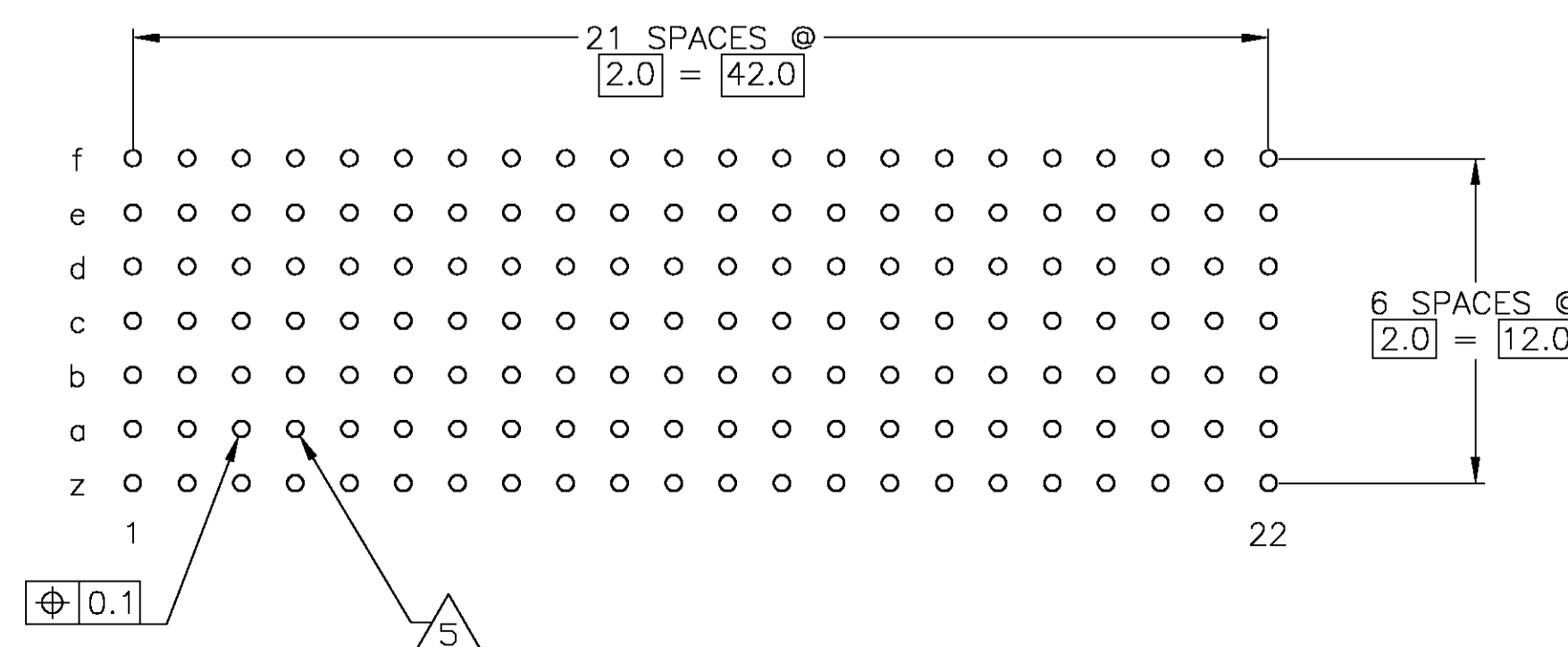
	z	a	b	c	d	e	f
1	C	B	B	B	B	B	C
2	C	B	B	B	B	B	C
3	C	B	B	B	B	B	C
4	C	B	B	B	B	B	C
5	C	B	B	B	B	B	C
6	C	B	B	B	B	B	C
7	C	B	B	B	B	B	C
8	C	B	B	B	B	B	C
9	C	B	B	B	B	B	C
10	C	B	B	B	B	B	C
11	C	B	B	B	B	B	C
12	C	B	B	B	B	B	C
13	C	B	B	B	B	B	C
14	C	B	B	B	B	B	C
15	C	B	B	B	B	B	C
16	C	B	B	B	B	B	C
17	C	B	B	B	B	B	C
18	C	B	B	B	B	B	C
19	C	B	B	B	B	B	C
20	C	B	B	B	B	B	C
21	C	B	B	B	B	B	C
22	C	B	B	B	B	B	C

- 1 CONTACT FINISH:  
CONTACT AREA: 1.27µm MIN GOLD PER ASTM B488 OVER 1.3µm  
MIN NICKEL PER SAE-AMS-QQ-N-290.  
ACTION PIN: 0.5µm MIN TIN PER ASTM B545 OVER 1.3µm MIN NICKEL  
PER SAE-AMS-QQ-N-290.
- 2 CONTACT FINISH:  
CONTACT AREA: 0.8µm MIN GOLD PER ASTM B488 OVER 1.3µm  
MIN NICKEL PER SAE-AMS-QQ-N-290.  
ACTION PIN: 0.5µm MIN TIN PER ASTM B545 OVER 1.3µm MIN NICKEL  
PER SAE-AMS-QQ-N-290.
- 3 MATERIAL:  
CONTACT: PHOSPHOR BRONZE.  
HOUSING: GLASS-FILLED POLYESTER.
- 4 CONNECTOR MARKED WITH PART NUMBER AND DATE CODE.  
ADDITIONAL CHARACTERS OR MARKINGS, AS WELL AS THE LOCATION OF THE MARKINGS,  
MAY BE ADDED FOR TRACEABILITY BASED UPON MANUFACTURERS DISCRETION.
- 5 PLATED-THROUGH HOLES AT 2x2mm SQUARE GRID  
PATTERN DEFINED BY CONTACT LAYOUT.
- 6 FOR ACTUAL PIN LOADING SEE "CONTACT LAYOUT".
- 7 FOR ACTUAL PIN DIMENSIONS SEE "CONTACT DIMENSIONS".
- 8 TO BE MEASURED AT BOTTOM OF SHROUD.
- 9 CONNECTOR LUBRICATED WITH BELCORE APPROVED LUBRICANT,  
TECHNICAL REFERENCE: TR-NWT-001217 ISSUE 1, SEP 1992.

## RECOMMENDED PCB-HOLE LAYOUT COMPONENT SIDE SHOWN

## PLATED THRU HOLES PARAMETERS

REFERENCE APPLICATION SPECIFICATION



1	9	1-5188835-9
2	9	5188835-9
1		5188835-4
2		5188835-1
FINISH		PART NUMBER

THIS DRAWING IS A CONTROLLED DOCUMENT.

DIMENSIONS: mm	TOLERANCES UNLESS OTHERWISE SPECIFIED:	DIN B CARBO 07JAN05	tyco Electronics Tyco Electronics Corporation Harriburg, Pa 17105-3608
0 PLC ± -	1 PLC ± 0.1	07JAN05	NAME G.SKIPPER
2 PLC ± -	3 PLC ± -	07JAN05	PRODUCT SPEC 108-19082
4 PLC ± -	ANGLES ± -		APPLICATION SPEC 114-19029
MATERIAL 3	FINISH SEE TABLE	WEIGHT -	SIZE A1
			SCALE 4:1
			SHEET 1 OF 1
			REV 0

CUSTOMER DRAWING