

# POTENTIOMETERS



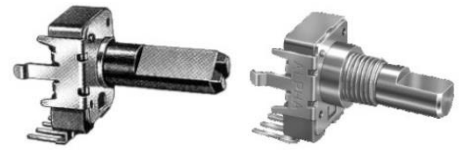
## 11mm Endless Rotary Type, Metal & Plastic Shaft

### Application

- ✓ TV/Video, Audio, Musical instruments

### Feature

- ✓ 360° degrees continuous potentiometer



### ■Specification

Total Rotational Angle	360° endless
Maximum Operating Voltage	5-15V DC
Insulation Resistance	100MΩ min at DC250V
Dielectric Strength	AC150V for 1 minute
Rotational Torque	10-200 gf.cm
Push/Pull Strength of the Shaft	6kgf for 3 sec
Rotation Life	15,000 cycles

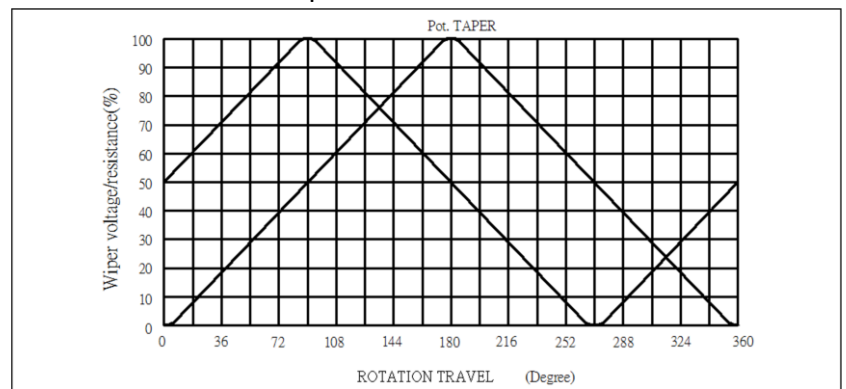
### ■How to order

RV112FF-40 - 15A - 0B10K

Model

Shaft Type

### Standard Resistance Taper:



### Taper and Resistance Value

Order Code	Taper	Resistance Value
0B1M	Linear (0B)	1MΩ

Taper: 0B taper

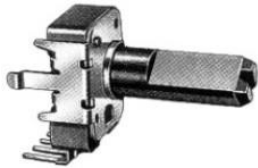
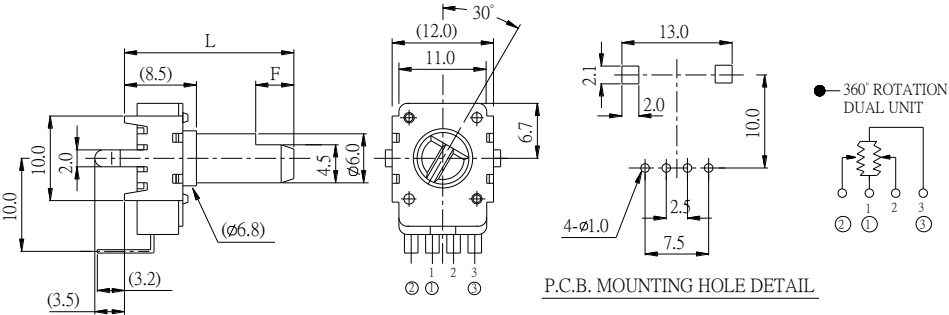

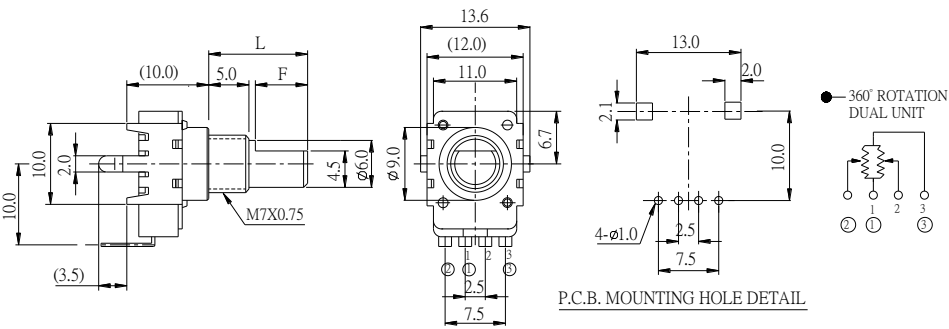

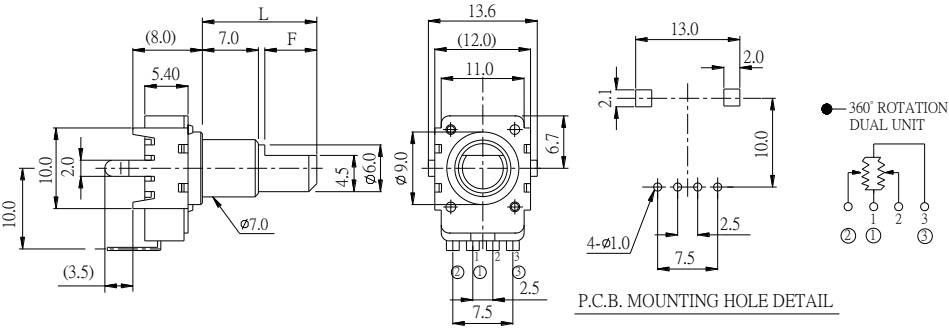
Resistance Value: 1KΩ to 500KΩ and 1MΩ

\*Contact us for other requirements.

## 11mm Endless Rotary Type, Metal & Plastic Shaft

### ■ Model Description

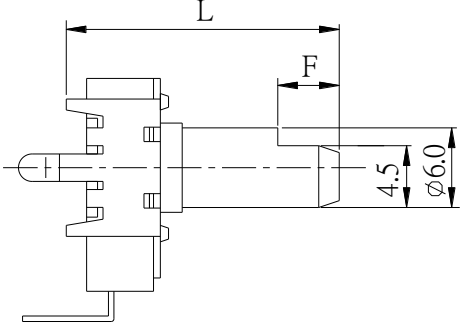
Model	Number of Unit	Terminal Type	Bushing	Shaft	Rotational Angle
<a href="#">RV112FF-40</a>	Dual unit	Vertical	N/A	Plastic	360°
<a href="#">RV112FF-40B1</a>	Dual unit	Vertical	Metal	Metal	360°
<a href="#">RV112FF-40B3N</a>	Dual unit	Vertical	Metal bushing without thread	Metal	360°

Order Code	Outline Drawing
RV112FF-40 	
RV112FF-40B1 	
RV112FF-40B3N 	

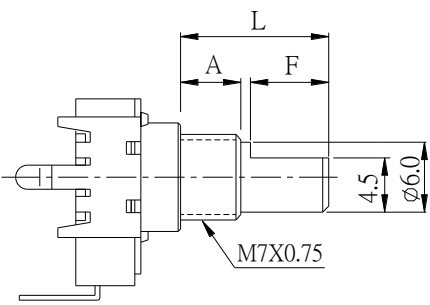
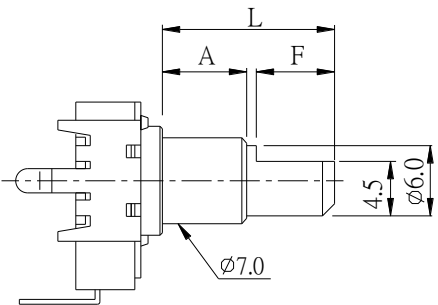
[Back to top](#)

## 11mm Endless Rotary Type, Metal & Plastic Shaft

### ■ A Type Plastic Shaft

RV112FF-40-(L)A									
									
Order Code	15A	20A	225A	25A	275A	30A	325A	375A	
L	15	20	22.5	25	25	27.5	30	32.5	37.5
F	4.5	7	7	7	12	12	12	12	12

### ■ F Type Metal Shaft

RV112FF-40B1-(L)F	RV112FF-40B3N-(L)F																								
																									
<table border="1" style="width: 100%; border-collapse: collapse;"> <thead> <tr> <th>Order Code</th> <th>15F</th> <th>20F</th> <th>25F</th> </tr> </thead> <tbody> <tr> <td>L</td> <td style="text-align: center;">15</td> <td style="text-align: center;">20</td> <td style="text-align: center;">25</td> </tr> <tr> <td>A</td> <td style="text-align: center;">5</td> <td style="text-align: center;">5</td> <td style="text-align: center;">5</td> </tr> </tbody> </table>	Order Code	15F	20F	25F	L	15	20	25	A	5	5	5	<table border="1" style="width: 100%; border-collapse: collapse;"> <thead> <tr> <th>Order Code</th> <th>15F</th> <th>20F</th> <th>25F</th> </tr> </thead> <tbody> <tr> <td>L</td> <td style="text-align: center;">15</td> <td style="text-align: center;">20</td> <td style="text-align: center;">25</td> </tr> <tr> <td>A</td> <td style="text-align: center;">7</td> <td style="text-align: center;">7</td> <td style="text-align: center;">7</td> </tr> </tbody> </table>	Order Code	15F	20F	25F	L	15	20	25	A	7	7	7
Order Code	15F	20F	25F																						
L	15	20	25																						
A	5	5	5																						
Order Code	15F	20F	25F																						
L	15	20	25																						
A	7	7	7																						

Design and specifications presented here are for the standard parts only. Please kindly contact us for your special requests and ask for the current technical specifications before purchase and/or use.

[Back to top](#)

# Mouser Electronics

Authorized Distributor

Click to View Pricing, Inventory, Delivery & Lifecycle Information:

[Alpha \(Taiwan\):](#)

[RV112FF-40-25A-B20K](#) [RV112FF-40-15A-B20K](#) [RV112FF-40-20A-B20K](#) [RV112FF-40B1-15F-0B20K-0068](#)  
[RV112FF-40-15A-B10K](#) [RV112FF-40-20A-B10K](#) [RV112FF-40B1-15F-0B10K-0068](#) [RV112FF-40-25A-0B20K](#)  
[RV112FF-40-15A-0B10K](#)