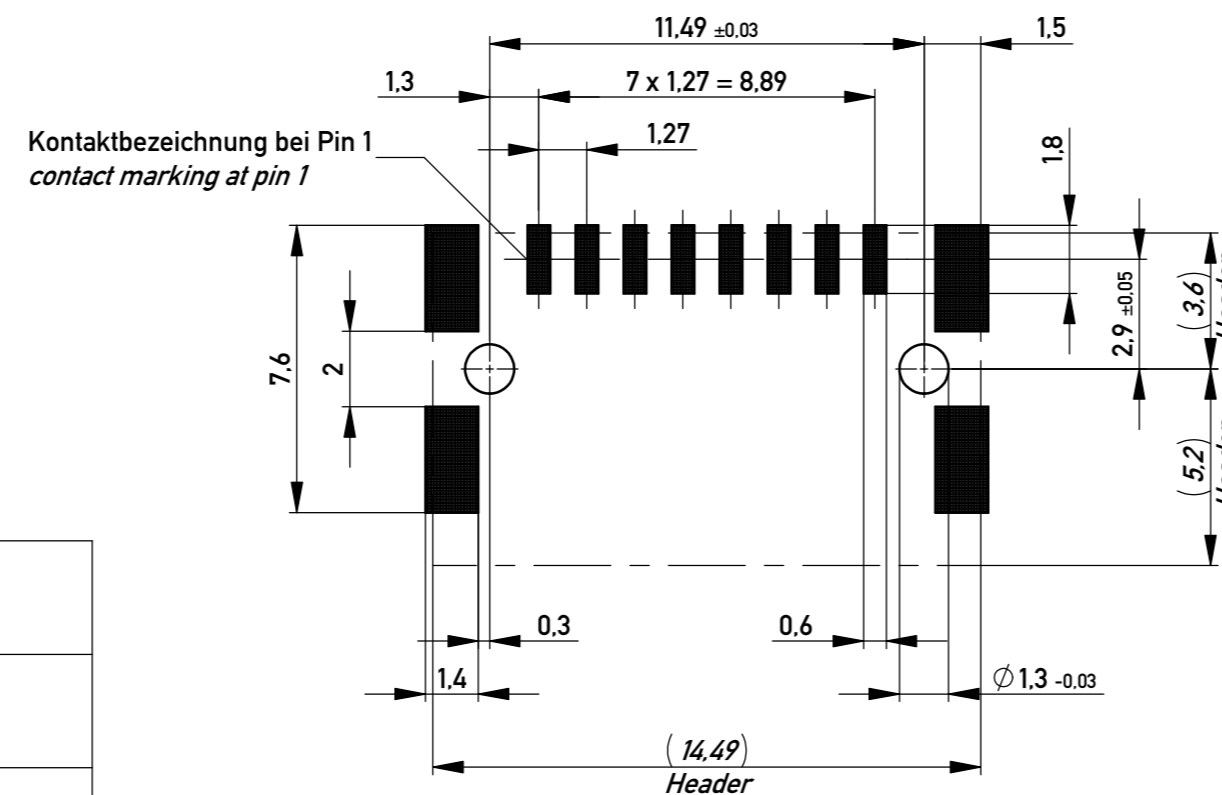
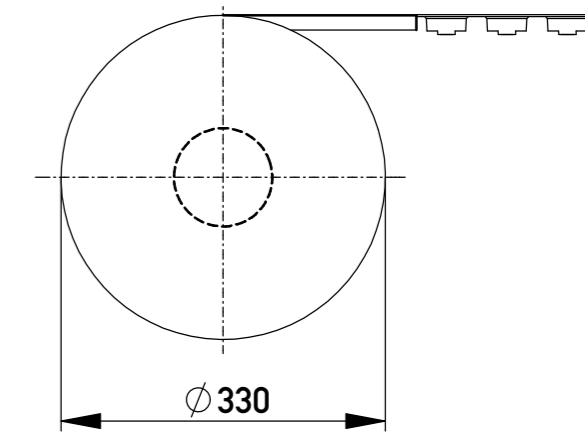


Sperrfläche für Leiterbahnen gültig bei Verwendung von Gegenstecker Federleiste 90° in IDC Ausführung
 Restricted area for conductors valid for use by mating female connector 90° in IDC version

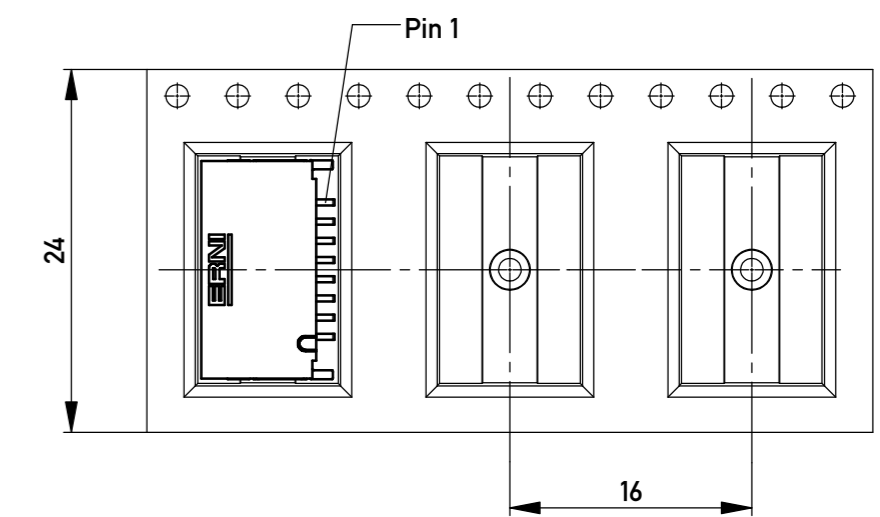
Layoutvorschlag
 recommended layout



Verpackt im Gurt in Anlehnung an DIN IEC 60286-3
 tape on reel packaging according to DIN IEC 60286-3
 Verpackungseinheit: 900 Stück
 packaging unit: 900 pcs



Abspulrichtung - Reel off direction



Anforderungsstufe 1
 performance level 1

Kontaktbereich vergoldet
 mating area gold plating

Anschlussbereich verzinkt 4-6 µm
 terminal area 4-6 µm tin plating

Koplanarität der Anschlüsse ≤ 0.1 mm
 coplanarity area of termination ≤ 0.1 mm

504288		rot red	2.25	
504287		grün green	2.25	
504286		blau blue	0.75	
504285		schwarz black	0.75	
Ident-Nr. part-no.	Codierung coding	Farbe colour	A	Bemerkung remark

Information:		Tolerances ISO 2768-FH ISO 8015		Scale 5:1
All rights reserved. Only for Information. To ensure that this is the latest version of this drawing, please contact one of the ERNI companies before using.		Subject to modification without prior notice. Drawing will not be updated.		Designation M 1.27 MCB-A SMT 08-pin
www.ERNI.com		504284		1 A2
b Index	31.07.2018 Date	Class MCBA		

Copyright by ERNI Production GmbH & Co. KG
 Proprietary notice pursuant to ISO 10306 to be observed.

Mouser Electronics

Authorized Distributor

Click to View Pricing, Inventory, Delivery & Lifecycle Information:

[TE Connectivity:](#)

[504285](#) [504285-E](#)