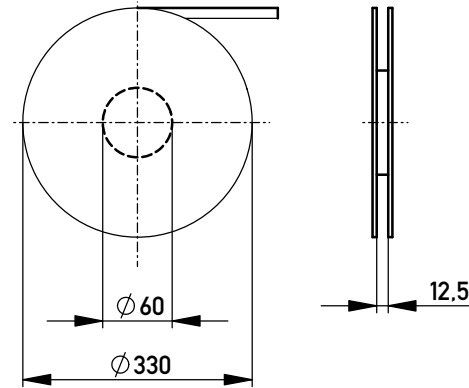
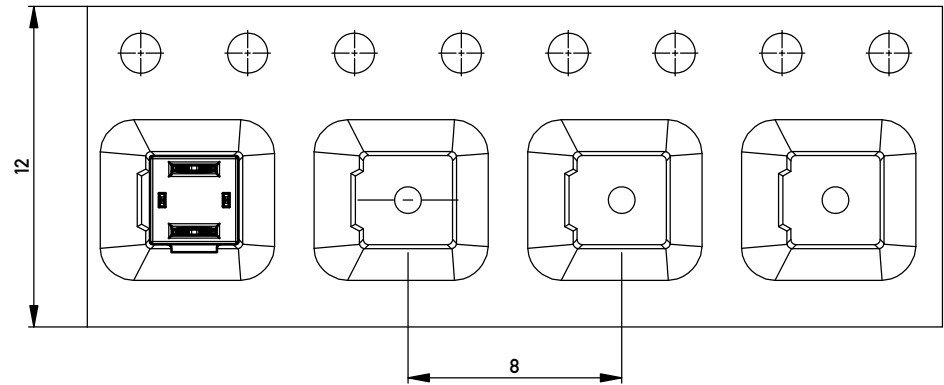
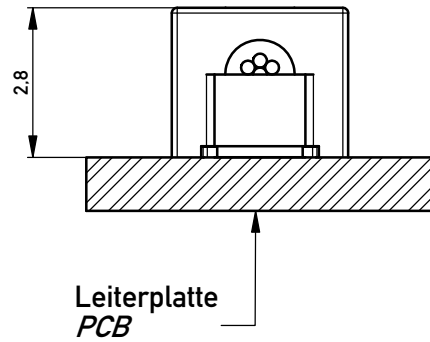
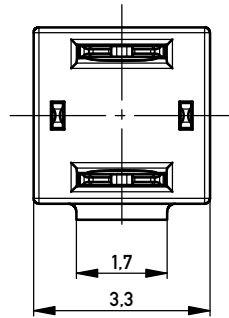


Verpackt in Gurtverpackung - Tape on Reel Packaging  
 Verpackungseinheit: 2000 Stück - Packaging unit: 2000 pcs



Terminal verpresst  
 Terminal pressed

Abspulrichtung - Reel off Direction →

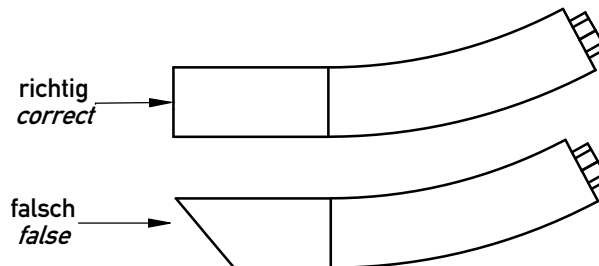
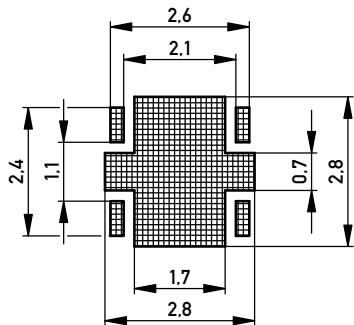


Leiterplatten-Layout Vorschlag  
 PCB-Layout Proposal

Montagehinweis  
 Assembly Instruction

Es ist darauf zu achten, dass das Kabel senkrecht ( $90^\circ \pm 5^\circ$ ) abgeschnitten wird!  
 It is important to ensure that the cable is cut off perpendicular ( $90^\circ \pm 5^\circ$ )!

\*AWG 22/7 D 1,3 mit Kabelanschlag  
 \*AWG 22/7 D 1,3 with cable stop



Information:		Tolerances		Scale	10:1
All rights reserved. Only for Information. To ensure that this is the latest version of this drawing, please contact one of the ERNI companies before using.		Subject to modification without prior notice. Drawing will not be updated.		Designation <b>Schneidklemmterminal*</b> <b>IDC-Terminal*</b>	
ERNI		www.ERNI.com		454303	
Index	Date	10.02.2012		Class IDC-TERM	
				I A3	

Copyright by ERNI GmbH  
 Proprietary notice pursuant to ISO 16016 to be observed.

# Mouser Electronics

Authorized Distributor

Click to View Pricing, Inventory, Delivery & Lifecycle Information:

[TE Connectivity:](#)

[454303](#) [454303-E](#)