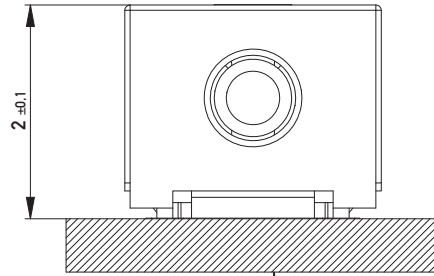
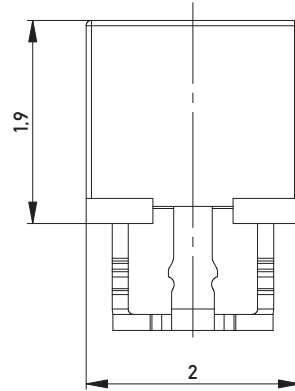
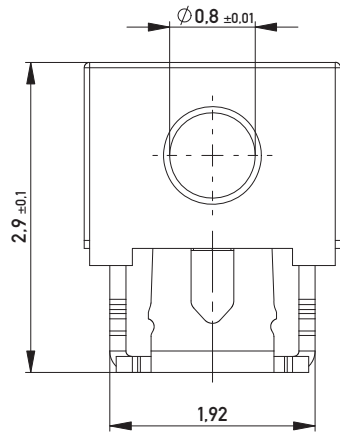
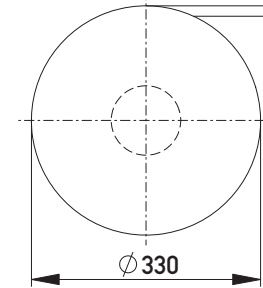


Terminal verrastet
Terminal pressed

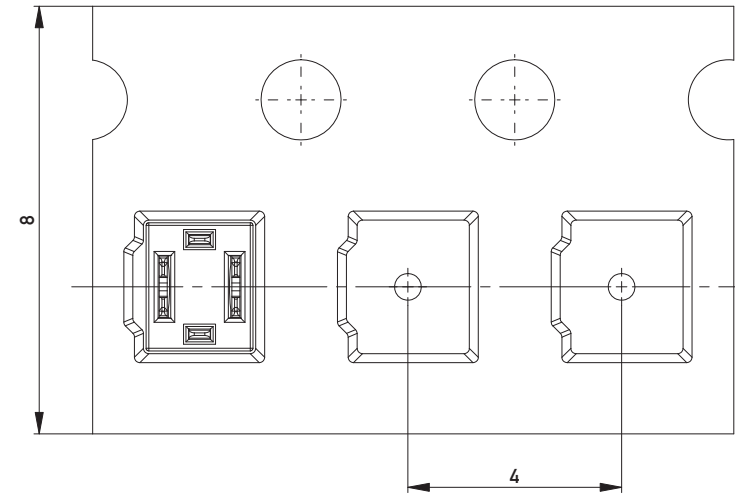


Leiterplatte
PCB

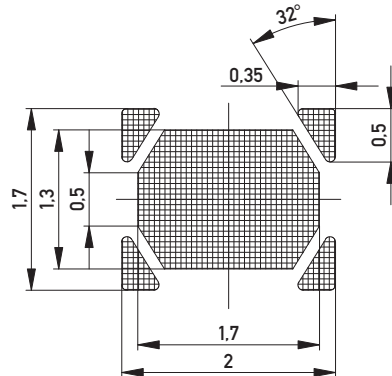
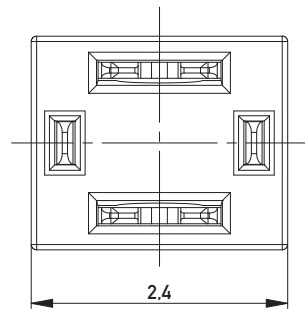
Verpackt in Gurtverpackung
Tape on Reel Packaging
Verpackungseinheit: 5000 Stück
Packaging unit: 5000 pcs



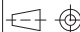

Abspulrichtung - Reel off Direction



Leiterplatten-Layout Vorschlag
PCB-Layout proposal



* AWG 24/1 D 0,8 ohne Kabelanschlag
* AWG 24/1 D 0,8 without cable stop

Information: All rights reserved. Only for Information. To ensure that this is the latest version of this drawing, please contact one of the ERNI companies before using.	Tolerances  All Dimensions in mm	Scale 20:1	
		Designation Schneidklemmterminal* <i>IDC-Terminal*</i>	
	 www.ERNI.com	444347	I A3
Index	Date 22.08.2012	Class	IDC-TERM

Copyright by ERNI GmbH. Proprietary notice pursuant to ISO 16016 to be observed.

Mouser Electronics

Authorized Distributor

Click to View Pricing, Inventory, Delivery & Lifecycle Information:

[TE Connectivity:](#)

[444347](#) [444347-E](#)