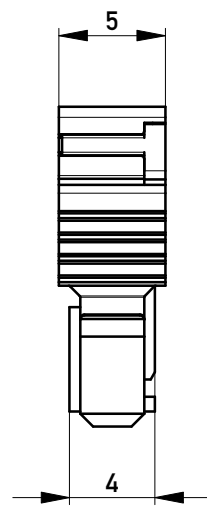
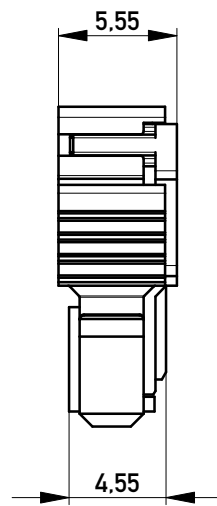
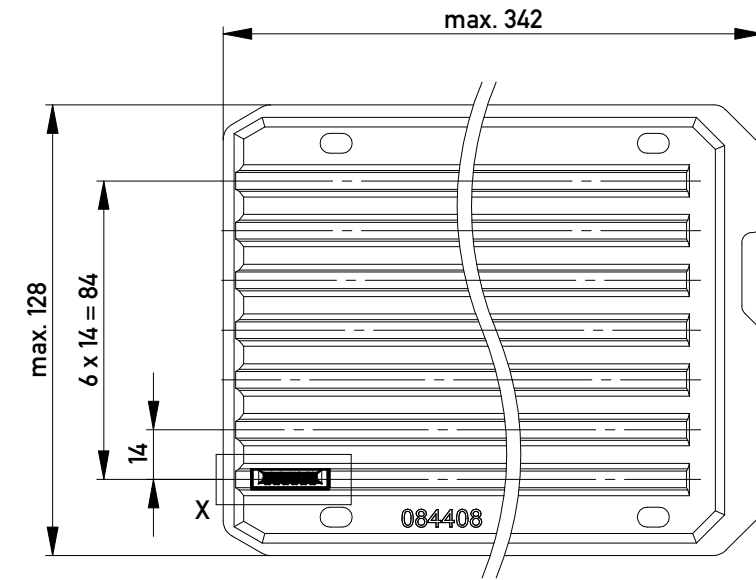


Abdeckung vorverrastet
cover loose mounted

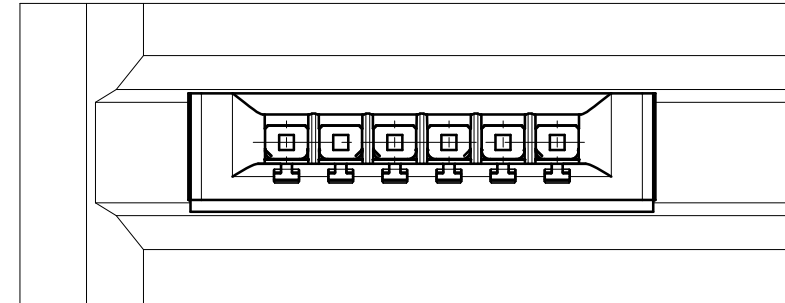
Abdeckung verpresst
cover pressed on



Verpackt in Tray - tray packaging
Verpackungseinheit 98 Stück - packaging unit 98



Einzelheit X
detail X



| | | | | | | | |
|-----------------------|---------------------|------------------|-----|-----|-----|-----|---|
| 454670 | | weiß white | 0.6 | 6.6 | 1.2 | 6 | Codierung wie Variante schwarz Encoding such variant black |
| 364243 | | rot red | 4.2 | 3 | 4.8 | 2.4 | |
| 364242 | | grün green | 3 | 4.2 | 3.6 | 3.6 | |
| 364241 | | blau blue | 1.8 | 5.4 | 2.4 | 4.8 | |
| 364240 | | schwarz black | 0.6 | 6.6 | 1.2 | 6 | |
| Ident-Nr. part-no. | Codierung coding | Farbe color | A | B | C | D | Bemerkung note |

| | | | |
|---|---|--|---------|
| Information: All rights reserved. Only for Information. To ensure that this is the latest version of this drawing, please contact one of the ERNI companies before using. | Tolerances All Dimensions in mm | Scale | 3:1 |
| | | Designation F 2,54 SRC-A, 6-polig BA 2 | |
| www.ERNI.com d 13.08.2015 Index Date | 324036 Class SRCBUG | | I A3 |

Copyright by ERNI GmbH
Proprietary notice pursuant to ISO 16016 to be observed.

Mouser Electronics

Authorized Distributor

Click to View Pricing, Inventory, Delivery & Lifecycle Information:

[TE Connectivity:](#)

[364240](#) [364240-E](#)