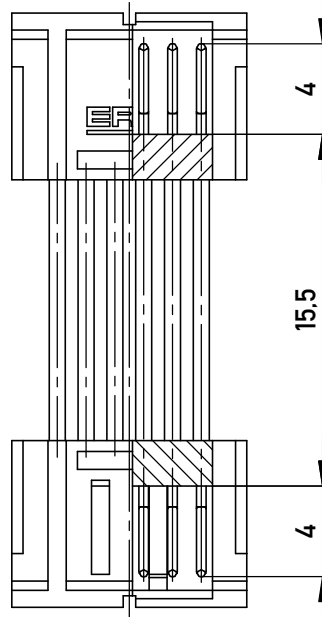
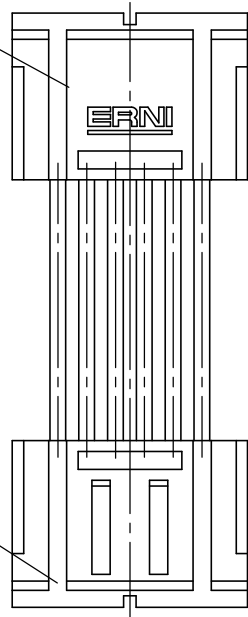
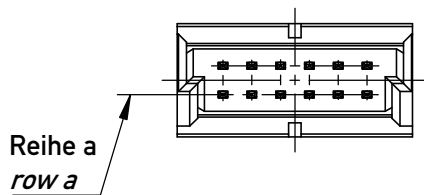
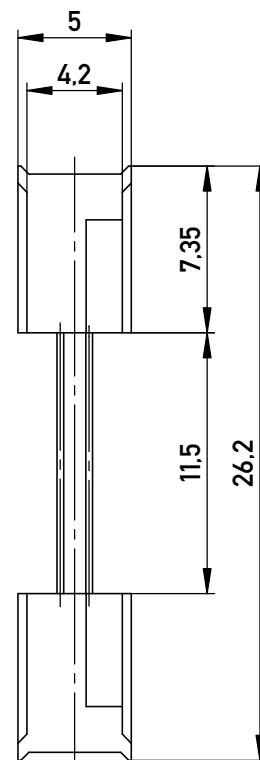


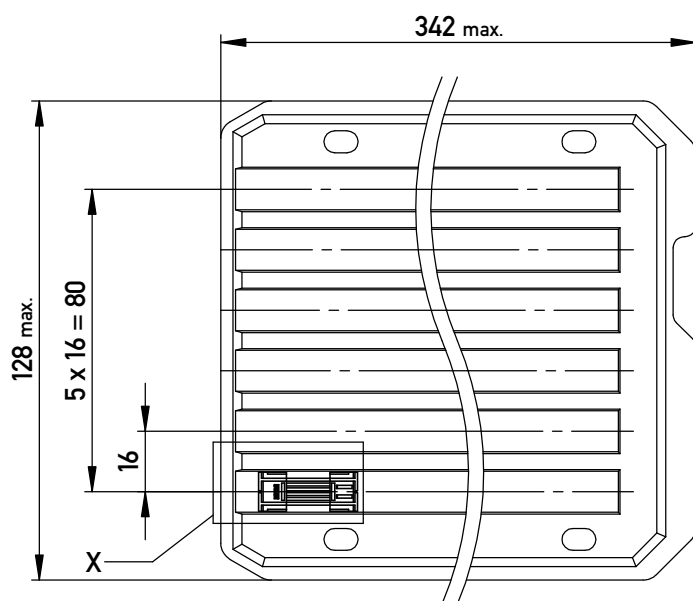
ohne Verriegelung
without interlocking



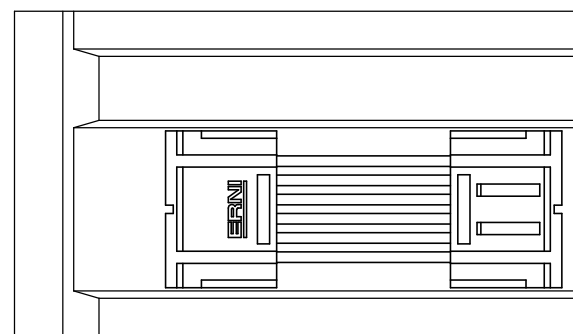
mit Verriegelung
with interlocking



Verpackt in Tray -tray packaging
Verpackungseinheit 72 Stück -packaging unit 72



Einzelheit X (M 2:1)
detail X (scale 2:1)



Adapterstück für board-to-board Abstand von 28mm (beidseitig verbaut mit Federleiste: 154805, Low Profile)
Adapter for board-to-board height 28mm (in combination with two female connectors: 154805, low profile)

Information:	Tolerances	 All Dimensions in mm	Scale	3:1
	All rights reserved. Only for Information. To ensure that this is the latest version of this drawing, please contact one of the ERNI companies before using.		Subject to modification without prior notice. Drawing will not be updated.	Designation 1,27 DRC BTB 28mm 12-polig 1,27 DRC BTB 28mm 12-polig
Copyright by ERNI Production GmbH & Co. KG Proprietary notice pursuant to ISO 16016 to be observed.	 www.ERNI.com	364098		I A3
b Index	05.08.2016 Date	Class DRCBTB		

Mouser Electronics

Authorized Distributor

Click to View Pricing, Inventory, Delivery & Lifecycle Information:

[TE Connectivity:](#)

[364098](#) [364098-E](#)