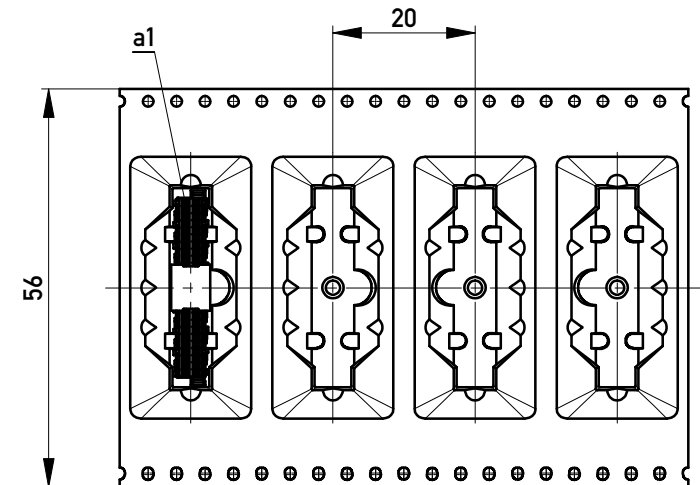
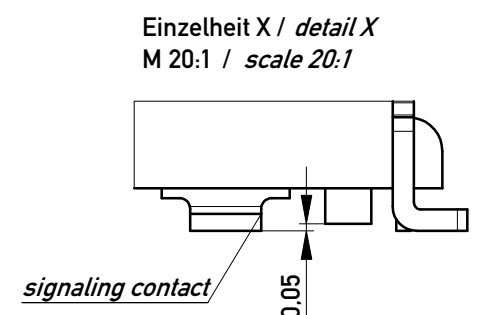
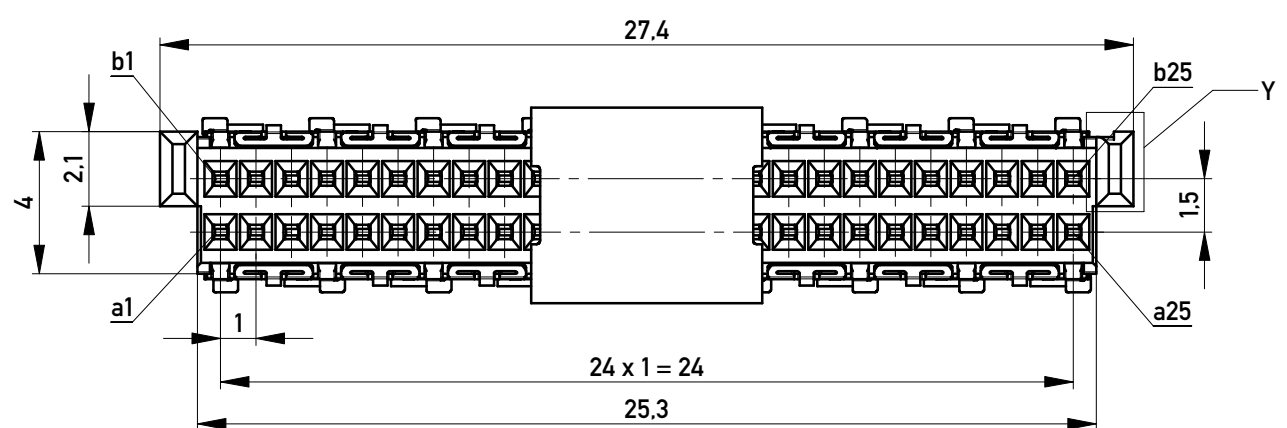
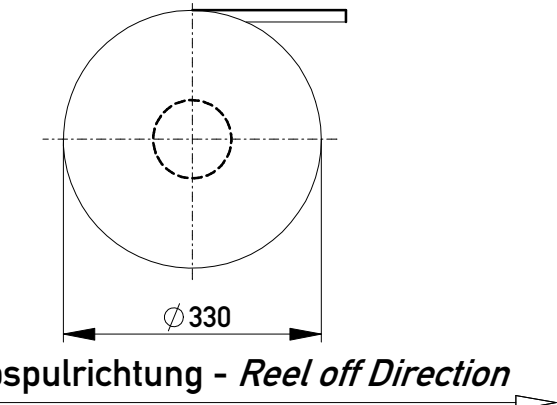
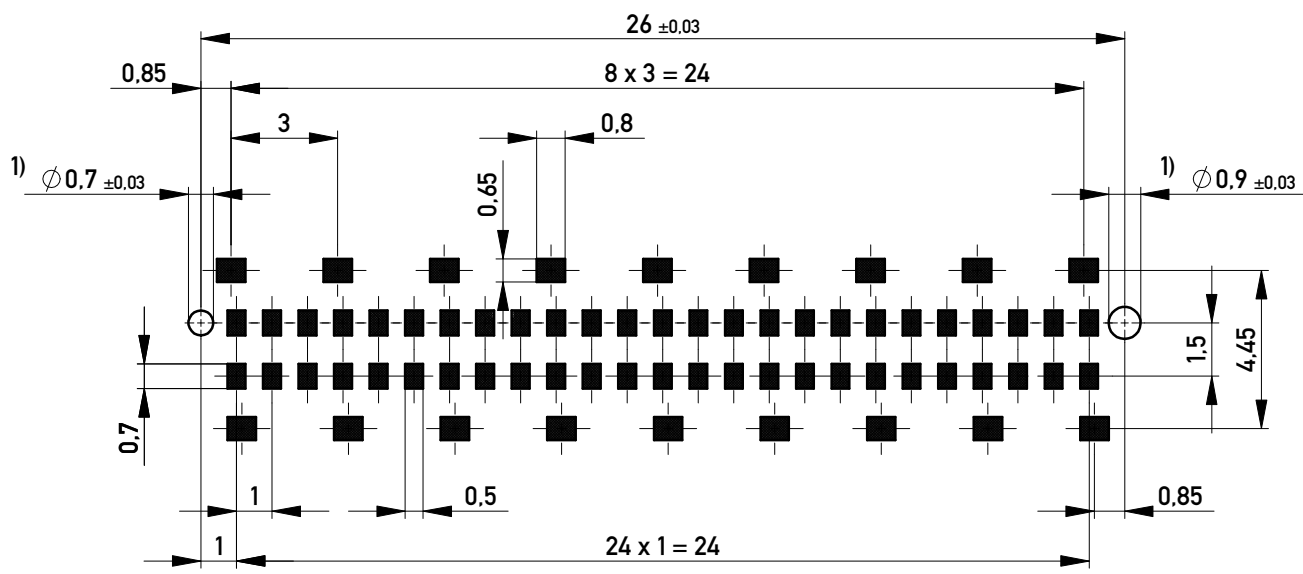


Verpackt im Gurt in Anlehnung an DIN IEC 60286-3  
tape on reel packaging according to DIN IEC 60286-3  
Verpackungseinheit: 240 Stück  
packaging unit: 240 pcs



Leiterplatten-Layout Vorschlag / PCB-layout proposal



1) Durchmesser des Bohrers / Drill tool

- Anforderungsstufe 1  
Performance Level 1
- Kontaktbereich vergoldet  
Mating Area gold plating
- Anschlussbereich verzinnt 4-6 µm  
Terminal Area 4-6 µm tin plating
- Koplanarität der Anschlüsse ≤ 0,1 mm  
Coplanarity Area of Termination ≤ 0,1 mm

Information:  All rights reserved. Only for Information. To ensure that this is the latest version of this drawing, please contact one of the ERNI companies before using.	Tolerances  All Dimensions in mm	Scale 5:1	Designation <b>F08 MSpeed BlindMate 50 SMD</b>
	Subject to modification without prior notice. Drawing will not be updated.		
e Index	20.10.2017 Date	Class MSPEED	

Copyright by ERNI Production GmbH & Co. KG  
Proprietary notice pursuant to ISO 16016 to be observed.

# Mouser Electronics

Authorized Distributor

Click to View Pricing, Inventory, Delivery & Lifecycle Information:

[TE Connectivity:](#)

[354178](#) [354178-E](#)