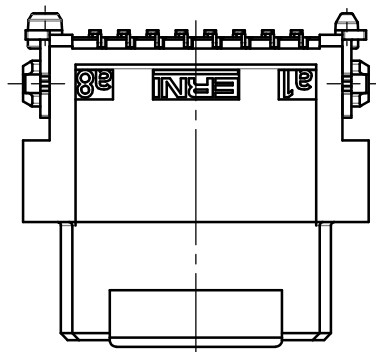
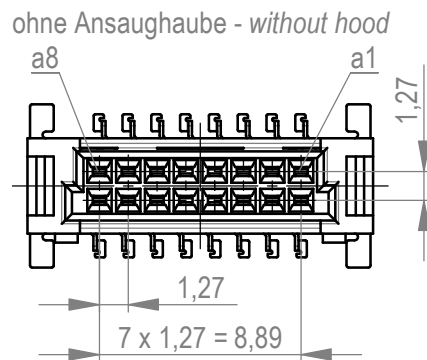
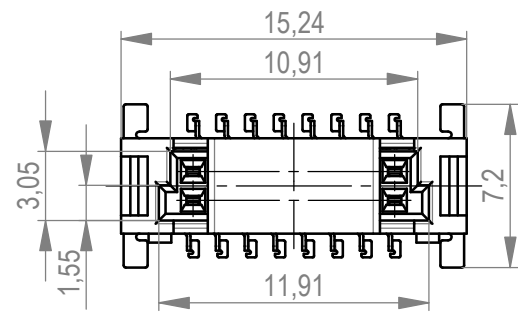
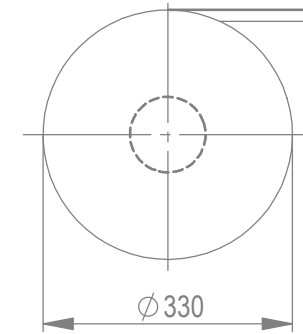
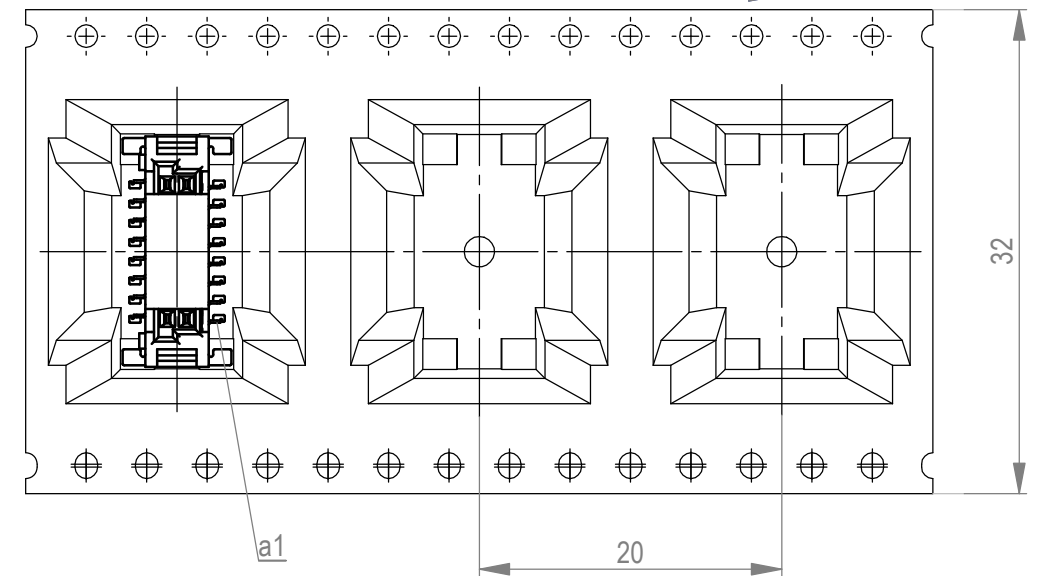


Verpackt im Gurt in Anlehnung an DIN IEC 60286-3  
 tape on reel packaging according to DIN IEC 60286-3  
 Verpackungseinheit: 170 Stück  
 packaging unit: 170 pcs



Abspulrichtung - reel off direction



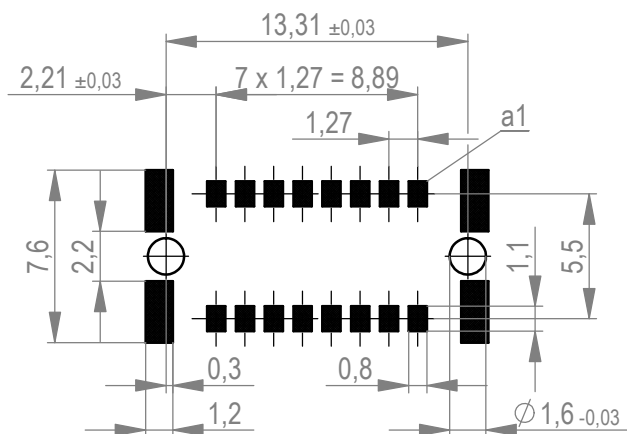
Anforderungsstufe 1  
 performance level 1

Kontaktbereich vergoldet  
 mating area gold plating

Anschlussbereich verzinkt 4-6 µm  
 terminal area 4-6 µm tin plating

Koplanarität der Anschlüsse ≤ 0,1 mm  
 coplanarity area of termination ≤ 0,1 mm

Leiterplatten-Layout Vorschlag für SMT  
 PCB-Layout Proposal for SMT



BA 7-23 - hohe Bauhöhe  
 type 7-23 - high profile

Weitergabe sowie Vervielfältigung dieses Dokuments, Verwertung und Mitteilung seines Inhalts sind verboten, soweit nicht ausdrücklich gestattet. Zuwiderhandlungen verpflichten zu Schadenersatz. Alle Rechte für den Fall der Patent-, Gebrauchsmuster- oder Geschmacksmusterertragung vorbehalten. The reproduction, distribution and utilization of this document as well as the communication of its contents to others without express authorization is prohibited. Offenders will be held liable for the payment of damages. All rights reserved in the event of the grant of a patent, utility model or design.

Die deutsche Version dieser Zeichnung dient nur zur Erleichterung der Handhabung. Bei Abweichungen von dem englischen Original gilt das englische Original. The german version of this drawing has been offered for convenience only and may deviate from the english original. In case of any deviation the English version shall prevail.

|  |  |                      |  |         |
|--|--|----------------------|--|---------|
| Dimension no.  | Tolerances   | All Dimensions in mm | Scale 5:1  |         |
|  | ISO 8015   |                      | Material   |         |
| Customer drawing:  | Subject to modification without prior notice. Drawing will not be updated.             |                      | <b>Federl. SMC-B 16-SMD-BA7-23</b><br><b>Female SMC-B 16-SMT-type7-23</b><br><b>354070</b> |         |
| All rights reserved. Only for Information. To ensure that this is the latest version of this drawing, please contact one of the ERNI companies before using. | ERNI International AG<br>Zürichstrasse 72<br>8306 Brüttisellen - Zürich<br>Switzerland |                      |  |         |
| d  | 07.02.2020   |                      | Class  | SMCB    |
| Index  | Date   |                      |  | I<br>A3 |

# Mouser Electronics

Authorized Distributor

Click to View Pricing, Inventory, Delivery & Lifecycle Information:

[TE Connectivity:](#)

[354070](#) [354070-E](#)