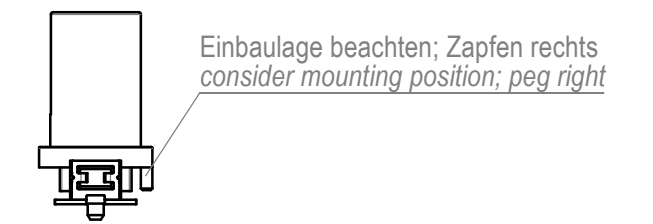
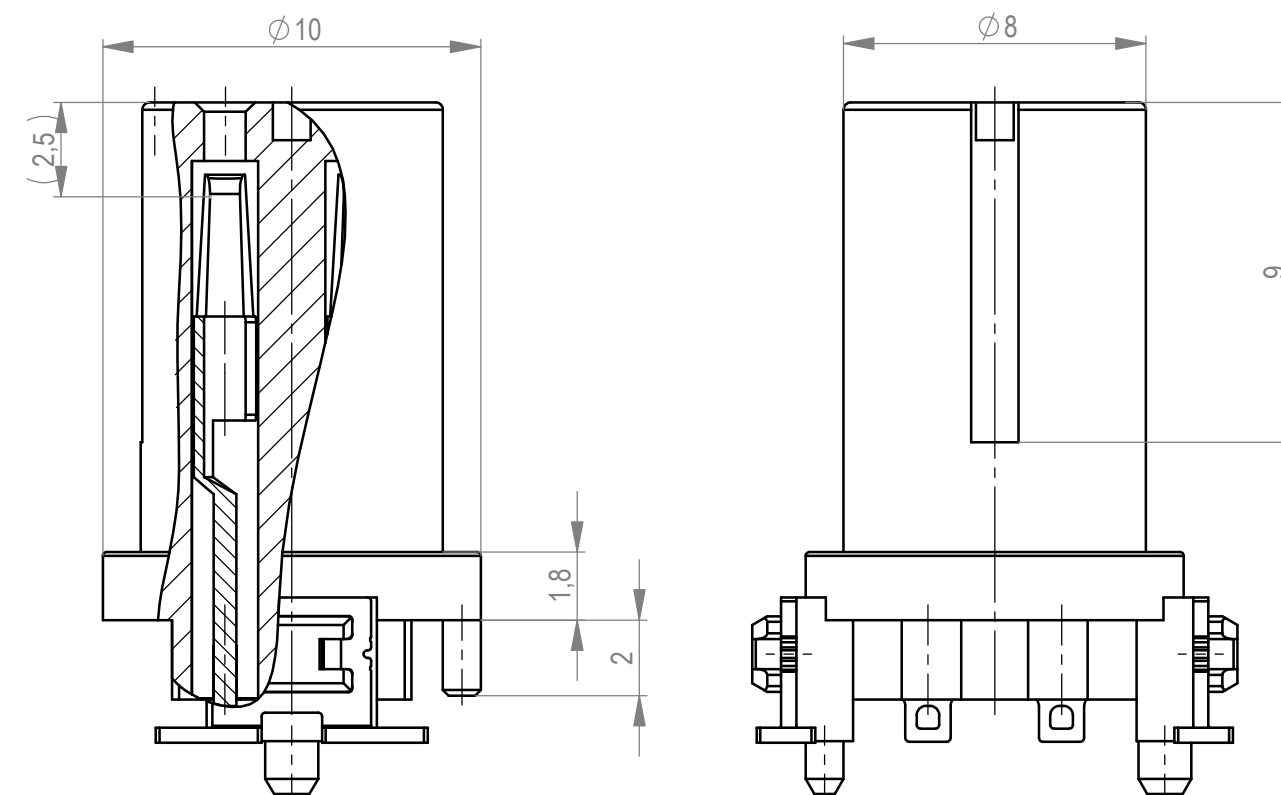
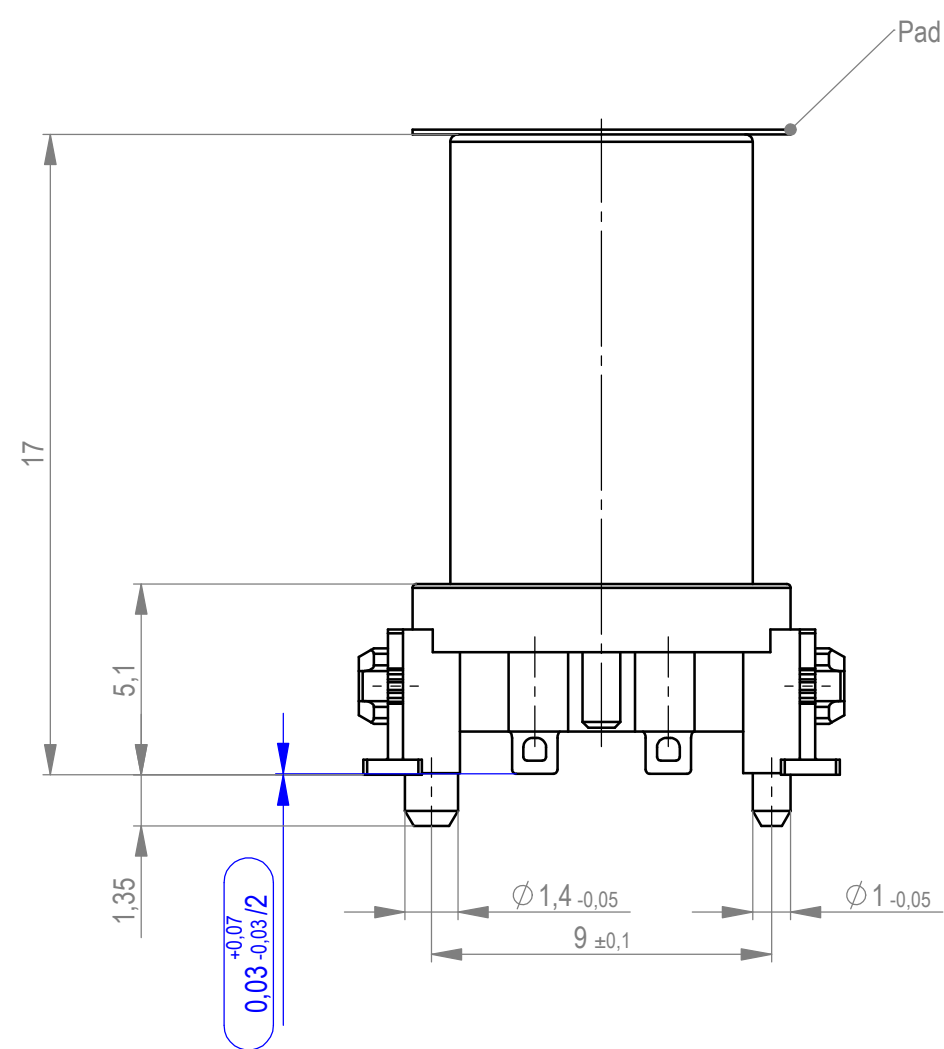
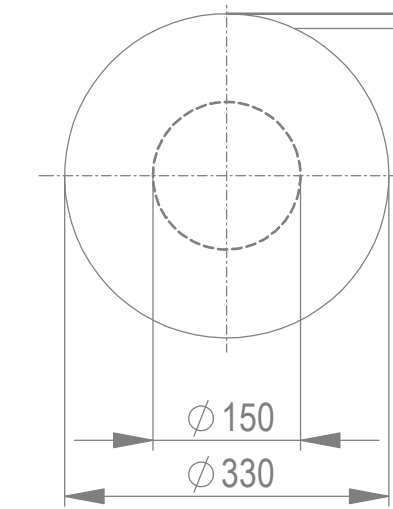
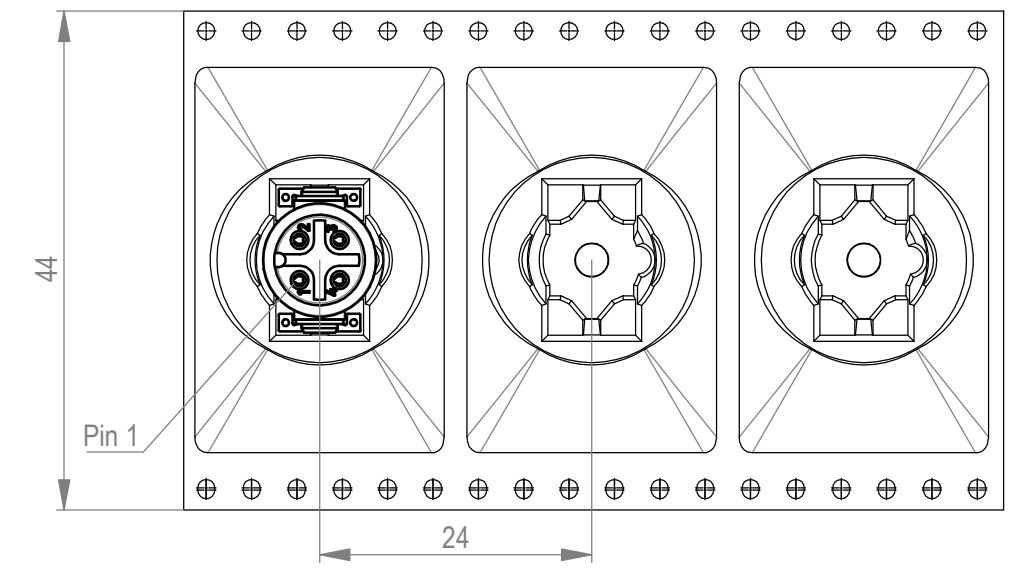


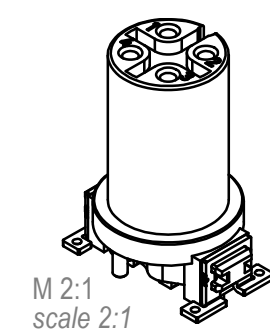
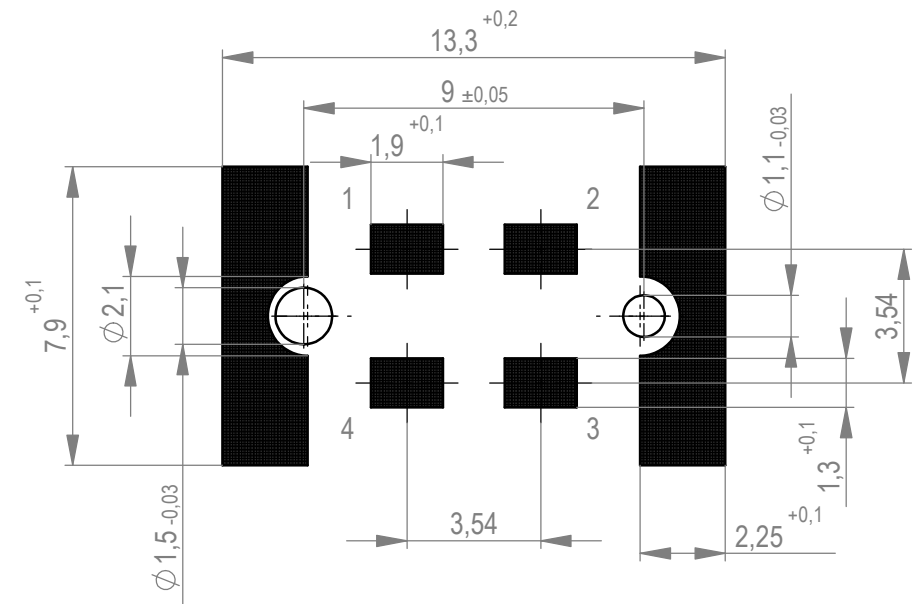
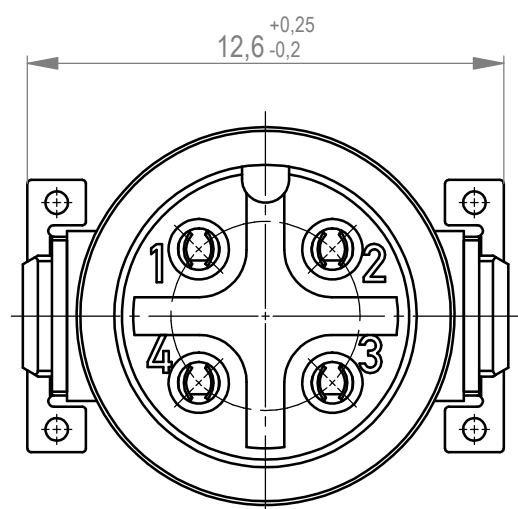
Verpackt im Gurt in Anlehnung an DIN IEC 60286-3
 tape on reel packaging according to DIN IEC 60286-3
 Verpackungseinheit: 100 Stück
 packaging unit: 100 pcs



Abspulrichtung - reel off direction →



Layout-Vorschlag
 PCB-Layout Proposal



515929	Gurtverpackung mit Pad tape on reel packaging with Pad
454003	Gurtverpackung tape on reel packaging
284322	Schüttgut 100 Stück bulk 100 pcs.
Ident-Nr. part-no.	Bemerkung remark

Zeichnung Spezifikation siehe ERNI Dokument 5.3.17
 Drawing Specification according to ERNI Document 5.3.17

Koplanarität aller Clips ≤ 0,1 mm
 coplanarity of all clips ≤ 0,1 mm
 Teile: 100 Stück in Luftpolsterbeutel / Schüttgut
 part: 100 pcs. in bubble bags / bulk

Dimension no.	Tolerances	Scale	5:1
	ISO 8015	Material	
Customer drawing:	Subject to modification without prior notice. Drawing will not be updated.		
All rights reserved. Only for information. To ensure that this is the latest version of this drawing, please contact one of the ERNI companies before using.	M12 Circular Connector Female Connector A Cod 4p 17mm SMT		
f	25.02.2020	ERNI International AG Zürichstrasse 72 8306 Brüttisellen - Zürich Switzerland	284321
Index	Date	Class	M12

Die deutsche Version dieser Zeichnung dient nur zur Erleichterung der Handhabung. Bei Abweichungen vom englischen Original gilt das englische Original. This drawing has been created for convenience only and may deviate from the original. In case of any deviation the English version shall prevail.

Mouser Electronics

Authorized Distributor

Click to View Pricing, Inventory, Delivery & Lifecycle Information:

[TE Connectivity:](#)

[284322](#) [454003](#) [454003-E](#) [284322-E](#)