

1SNK916310R0000 ✓ ACTIVE

ENTRELEC

TE Internal #: 1SNK916310R0000

TE Internal Description: JB16-10

[View on TE.com >](#)



Connectors > Terminal Blocks & Strips > Terminal Block & Strip Accessories > Terminal Block & Strip Conducting Accessories



Conducting Accessory Type: **Jumper Bar**

Number of Poles: **10**

PCB Mount Retention Type: **Screw**

Primary Product Color: **Orange**

Product Spacing: **16 mm [.63 in]**

Features

Product Type Features

| | |
|---------------------------|------------|
| Conducting Accessory Type | Jumper Bar |
|---------------------------|------------|

Configuration Features

| | |
|-----------------|----|
| Number of Poles | 10 |
|-----------------|----|

Electrical Characteristics

| | |
|--|-------|
| Operating Voltage Rating (UL & CSA) (Max) - Main Circuit | 600 V |
|--|-------|

| | |
|---|--------|
| Impulse Withstanding Voltage Rating (IEC) | 8000 V |
|---|--------|

| | |
|----------------------|-------|
| Voltage Rating (CSA) | 600 V |
|----------------------|-------|

| | |
|----------------------|-------|
| Current Rating (CSA) | 150 A |
|----------------------|-------|

| | |
|------------|-----|
| Power Loss | 4 W |
|------------|-----|

| | |
|-------------------------|--------|
| Dielectric Test Voltage | 2200 V |
|-------------------------|--------|

| | |
|---|--------|
| Short-Time Withstanding Current Rating @ 1s | 4200 A |
|---|--------|

| | |
|----------------------|--------|
| Voltage Rating (IEC) | 1000 V |
|----------------------|--------|

| | |
|----------------------|-------|
| Current Rating (IEC) | 125 A |
|----------------------|-------|

Body Features

| | |
|----------------|------------------|
| Product Weight | 56.6 g[1.996 oz] |
|----------------|------------------|

| | |
|-------------------------------|-----------|
| Plastic & Resin Material Type | Polyamide |
|-------------------------------|-----------|

| | |
|-----------------------|--------|
| Primary Product Color | Orange |
|-----------------------|--------|

Contact Features

| | |
|------------------------------|-------|
| Contact Current Rating (Max) | 125 A |
|------------------------------|-------|

Mechanical Attachment

| | |
|--------------------------|-------------|
| Tightening Torque | 10.6 in-lbs |
| PCB Mount Retention Type | Screw |

Dimensions

| | |
|-----------------|--------------------|
| Tool Size | 5.5 mm[.217 in] |
| Product Depth | 23.4 mm[.921 in] |
| Product Width | 16 mm[.629 in] |
| Product Height | 155.5 mm[6.122 in] |
| Product Spacing | 16 mm[.63 in] |

Usage Conditions

| | |
|--------------------------------|----------------------------|
| Storage Temperature Range | -55 – 110 °C[-67 – 230 °F] |
| Installation Temperature Range | -5 – 40 °C[23 – 104 °F] |
| Operating Temperature Range | -55 – 110 °C[-67 – 230 °F] |

Industry Standards

| | |
|-----------|------|
| IP Rating | IP20 |
|-----------|------|

Product Compliance

[For compliance documentation, visit the product page on TE.com>](#)

| | |
|---|---|
| EU RoHS Directive 2011/65/EU | Compliant |
| EU ELV Directive 2000/53/EC | Not Yet Reviewed |
| China RoHS 2 Directive MIIT Order No 32, 2016 | No Restricted Materials Above Threshold |
| EU REACH Regulation (EC) No. 1907/2006 | Current ECHA Candidate List: JAN 2020 (205) Candidate List Declared Against: JUN 2018 (191) Does not contain REACH SVHC |
| EU REACH Regulation (EC) No. 1907/2006 | Current ECHA Candidate List: JAN 2020 (205) Candidate List Declared Against: JUN 2018 (191) |
| Halogen Content | Not Yet Reviewed for halogen content |
| Solder Process Capability | Not reviewed for solder process capability |

Product Compliance Disclaimer

This information is provided based on reasonable inquiry of our suppliers and represents our current actual knowledge based on the information they provided. This information is subject to change. The part numbers that TE has identified as EU RoHS compliant have a maximum concentration of 0.1% by weight in homogenous materials for lead, hexavalent chromium, mercury, PBB, PBDE, DBP, BBP, DEHP, DIBP, and 0.01% for cadmium, or qualify for an exemption to these limits as defined in the Annexes of Directive 2011/65/EU (RoHS2). Finished electrical and electronic equipment products will be CE marked as required by Directive 2011/65/EU. Components may not be CE marked. Additionally, the part numbers that TE has identified as EU ELV compliant have a maximum concentration of 0.1% by weight in homogenous materials for lead, hexavalent chromium, and mercury, and 0.01% for cadmium, or qualify for an exemption to these limits as defined in the Annexes of Directive 2000/53/EC (ELV). Regarding the REACH Regulations, TE's information on SVHC in articles for this part number is still based on the European Chemical Agency (ECHA) 'Guidance on requirements for substances in articles' (Version: 2, April 2011), applying the 0.1% weight on weight concentration threshold at the finished product level. TE is aware of the European Court of Justice ruling of September 10th, 2015 also known as O5A (Once An Article Always An Article) stating that, in case of 'complex object', the threshold for a SVHC must be applied to both the product as a whole and simultaneously to each of the articles forming part of its composition. TE has evaluated this ruling based on the new ECHA "Guidance on requirements for substances in articles" (June 2017, version 4.0) and will be updating its statements accordingly.

Compatible Parts



TE Model / Part # 1SNK900101R0000
CS



TE Model / Part # 1SNK516010R0000
ZS35



TE Model / Part # 1SNK516151R0000
ZS50-PE



TE Model / Part # 1SNK516060R0000
ZS50-YL



TE Model / Part # 1SNK516011R0000
ZS50



TE Model / Part # 1SNK516030R0000
ZS35-OR



TE Model / Part # 1SNK516020R0000
ZS35-BL



TE Model / Part # 1SNK516021R0000
ZS50-BL



TE Model / Part # 1SNK516063R0000
ZS50-RD



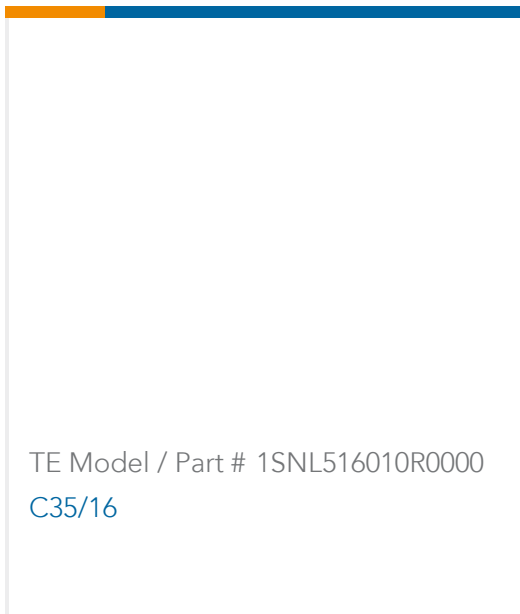
TE Model / Part # 1SNK516064R0000
ZS50-BK



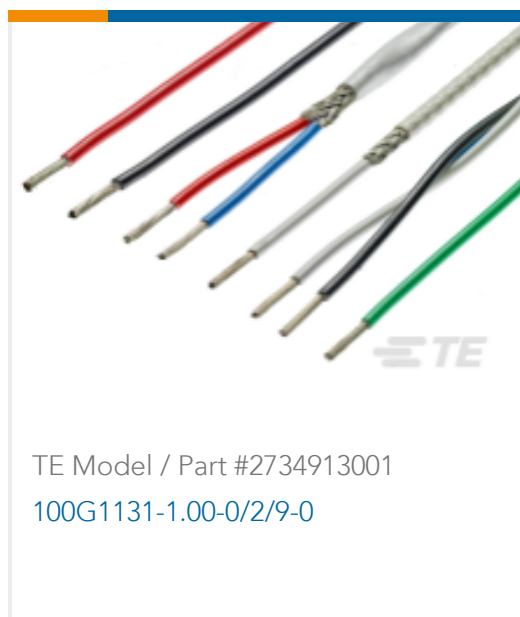
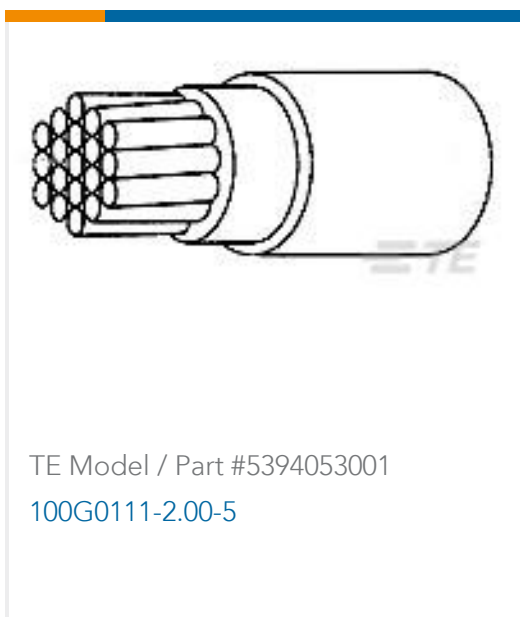
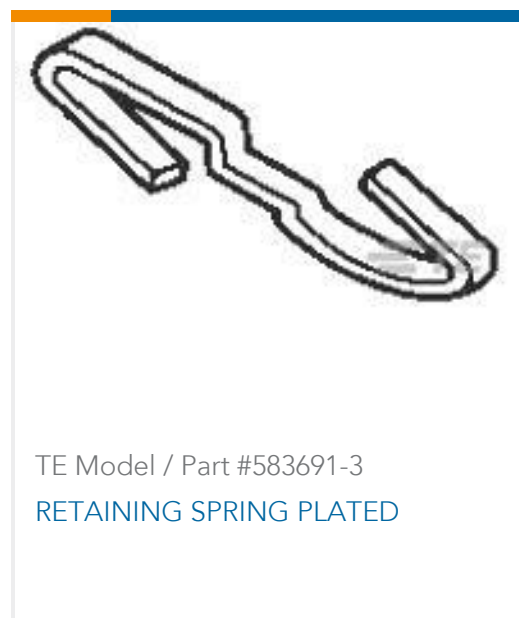
TE Model / Part # 1SNA400195R2200
M35/16



TE Model / Part # 1SNA105124R1600
M35/16



Customers Also Bought



Documents



CAD Files

3D PDF

3D

Customer View Model

[ENG_CVM_CVM_1SNK916310R0000_A.2d_dxf.zip](#)

English

Customer View Model

[ENG_CVM_CVM_1SNK916310R0000_A.3d_igs.zip](#)

English

Customer View Model

[ENG_CVM_CVM_1SNK916310R0000_A.3d_stp.zip](#)

English

By downloading the CAD file I accept and agree to the [Terms and Conditions](#) of use.

Datasheets & Catalog Pages

JB16-10

English

[ENTRELEC Terminal Blocks Catalogue \(RUS\)](#)

SNK SERIES TERMINAL BLOCKS

English

[ENTRELEC Terminal Block - Master Catalog](#)

English