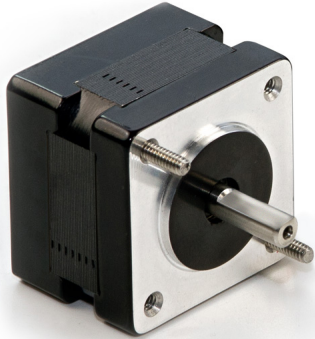
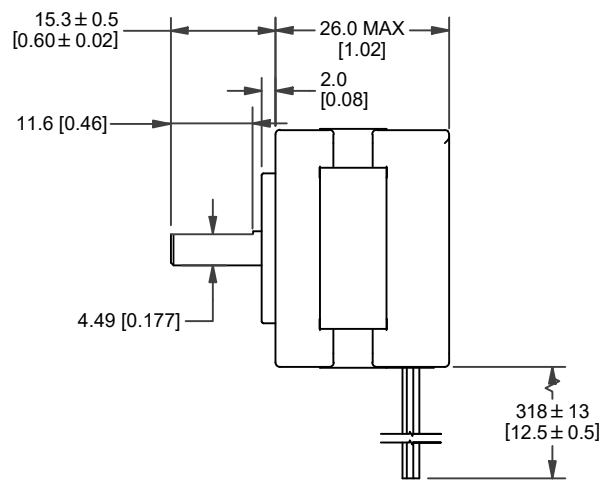
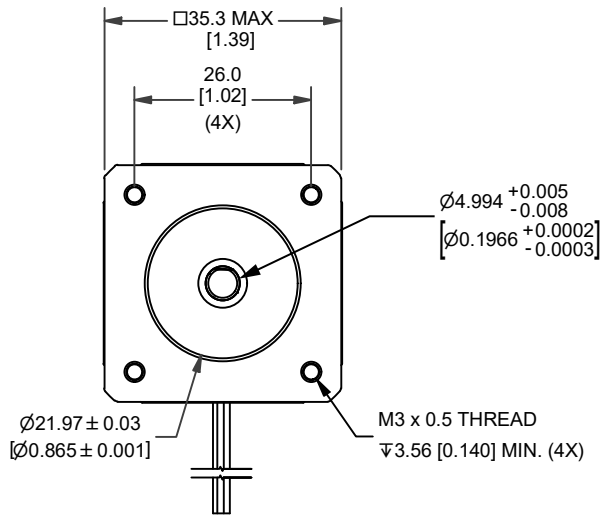


MOTOR SPECIFICATIONS



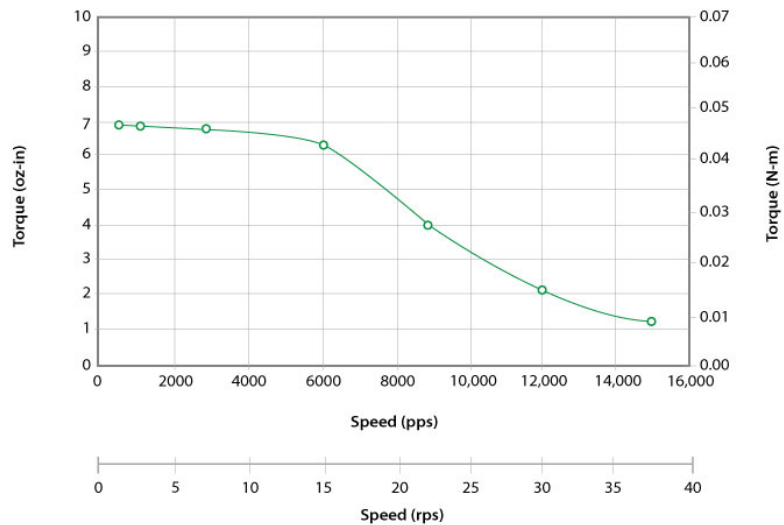
| | |
|----------------------|-------------------------|
| Part Number | WO-3518X-08 |
| Step Angle | 1.8° |
| Frame Size | NEMA 14 |
| Body Length (Dim. A) | 1.02 in (26 mm) |
| Current | 0.35 Amps/Phase |
| Holding Torque | 7.5 oz-in (0.05 Nm) |
| Resistance | 8.5 Ohms/Phase |
| Rotor Inertia | 0.06 oz-in ² |
| Number of Leads | 4 |
| Connection | Bipolar |
| Weight | 0.25 lbs (0.11 kg) |

DIMENSIONS



PERFORMANCE CURVE

3518X-08 24VDC, 0.35 Amps/Phase, Bipolar, 1/2 Stepping



OPERATING SPECIFICATIONS

| | |
|--|-----------------------------|
| Radial Play | 0.001" max @ 1 lbs load |
| End Play | 0.003" max @ 2 lbs load |
| Shaft Run Out | 0.002" TIR |
| Concentricity of Mounting Pilot to Shaft | 0.003" TIR |
| Perpendicularity of Shaft to Mounting Face | 0.003" TIR |
| Max Axial Load | 6 lbs |
| Maximum Case Temperature | 80 C |
| Ambient Temperature | -20° to 50° C |
| Storage Temperature | -20° to 100° C |
| Humidity Range | 85% or less, non-condensing |
| Magnet Wire Insulation | Class B 130° C |
| Insulation Resistance | 100MΩ at 500 VDC |
| Dielectric Strength | 500 VAC for 1 minute |

WIRING TABLE

| COLOR | FUNCTION |
|-------|-----------|
| Red | A+ Phase |
| Blue | A- Phase |
| Green | B + Phase |
| Black | B- Phase |

OPERATION & USAGE TIPS



Do not disassemble motors; a significant reduction in motor performance will occur.



Do not machine shafts; this will have a negative effect on shaft run out and perpendicularity.



Do not disconnect motor from drive while in operation.



Do not use holding torque/detent torque of motor as a fail safe brake.



Do not hold motor by lead wires.



Do not exceed the rated current; this will burn the motor.

FAILURE TO COMPLY WITH THESE RECOMMENDATIONS WILL VOID ALL WARRANTY TERMS

RECOMMENDED



Microstepping Driver
R208



Single Axis Controller
+ Driver
R256-RO

Motion Control, **Solved.**

MOTOR ENGINEERING & MANUFACTURING



Optimized
For Your
Application



Quick
Prototype
Turnaround



Small Batch
to OEM Volume
Production



US Based
Support &
Manufacturing