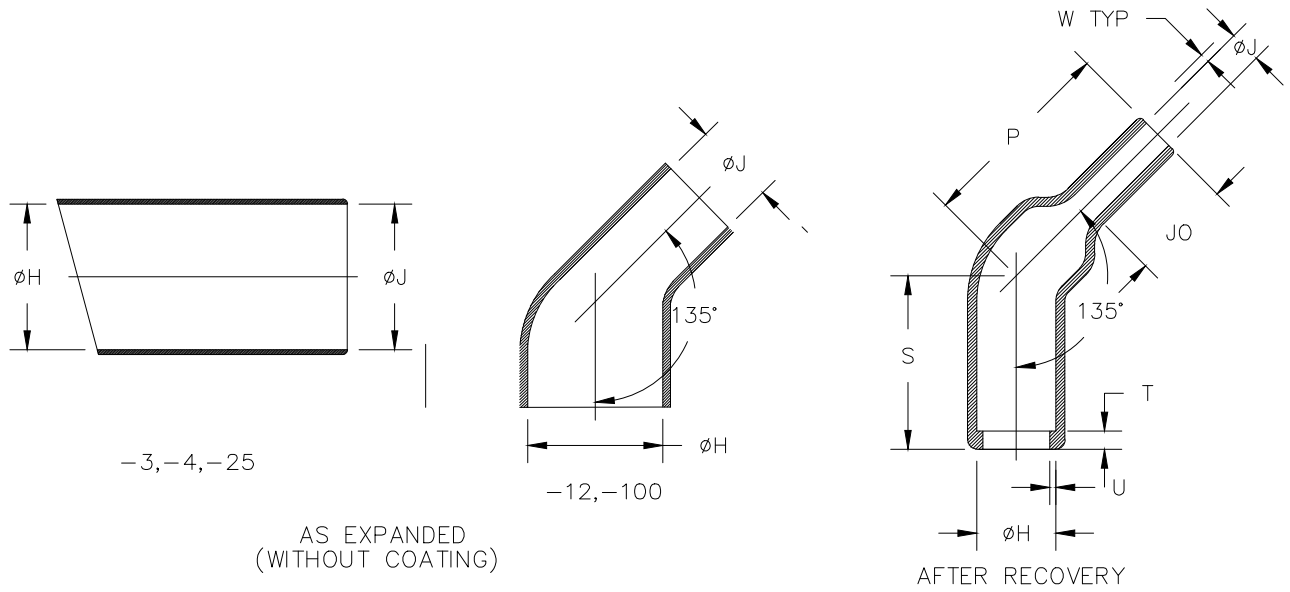


REVISIONS					
P	LTR	DESCRIPTION	DATE	DWN	APVD
	3	PRODUCTION ISSUE	05FEB2019	PNT	MT



AS EXPANDED
(WITHOUT COATING)

AFTER RECOVERY

TABLE 1: FOR -3,-4,-25

PART DESCRIPTION	H		J		P	S	T	U	JO	W
	MIN a	MAX b	MIN a	MAX b	±10% b	±10% b	±10% b	±10% b	±10% b	±20% b
242W042	31 [1.22]	17.9 [0.70]	31 [1.22]	7.0 [0.28]	55 [2.17]	35 [1.38]	3.5 [0.14]	2.0 [0.08]	25 [0.98]	1.8 [0.07]
242W053	36 [1.42]	22.1 [0.87]	36 [1.42]	8.4 [0.33]	60 [2.36]	40 [1.57]	3.5 [0.14]	2.0 [0.08]	30 [1.18]	2.0 [0.08]
242W063	43 [1.69]	27.9 [1.10]	43 [1.69]	9.9 [0.39]	65 [2.56]	45 [1.77]	3.5 [0.14]	2.0 [0.08]	35 [1.38]	2.2 [0.09]

TABLE 1: FOR -12,-100 MATERIAL

PART DESCRIPTION	H		J		P	S	T	U	JO	W
	MIN a	MAX b	MIN a	MAX b	±10% b	±10% b	±10% b	±10% b	±10% b	±20% b
242W042	31 [1.22]	17.9 [0.70]	18 [0.71]	7.0 [0.28]	55 [2.17]	35 [1.38]	3.5 [0.14]	2.0 [0.08]	25 [0.98]	1.8 [0.07]
242W053	36 [1.42]	22.1 [0.87]	21 [0.83]	8.4 [0.33]	60 [2.36]	40 [1.57]	3.5 [0.14]	2.0 [0.08]	30 [1.18]	2.0 [0.08]
242W063	43 [1.69]	27.9 [1.10]	25 [0.98]	9.9 [0.39]	65 [2.56]	45 [1.77]	3.5 [0.14]	2.0 [0.08]	35 [1.38]	2.2 [0.09]

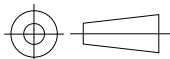
RELEASED FOR PUBLICATION

ALL RIGHTS RESERVED.

THIS DRAWING IS UNPUBLISHED.

© COPYRIGHT - TE Connectivity Ltd.

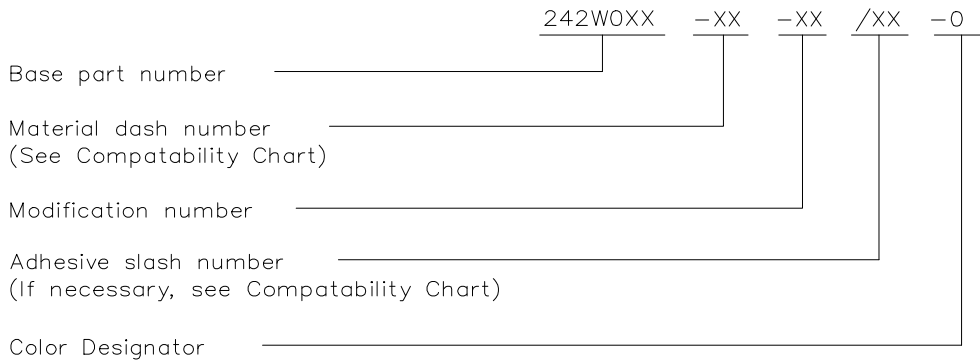
DIMENSIONS: mm [INCHES]	DWN	05FEB2019	MATERIAL	SEE SHEET 2	FINISH	-				
	CHK	PRAVEEN N T	05FEB2019	TE Connectivity Ltd.						
TOLERANCES UNLESS OTHERWISE SPECIFIED:	APVD	N NAGAR	05FEB2019							
	PRODUCT SPEC	APVD	M TAYLOR	05FEB2019	NAME		BOOT, 135 DEGREES WITH LIP			
0 PLC ± -	APPLICATION SPEC		NAME	-						
1 PLC ± -	-		SIZE	A4	CAGE CODE	00779	DRAWING NO	C-242W0XX-XX-0	RESTRICTED TO	-
2 PLC ± -	WEIGHT		CUSTOMER DRAWING		SCALE	DNS	SHEET	1 OF 2	REV	3
3 PLC ± -	-									
4 PLC ± -	-									
ANGLES ± -	-									



REVISIONS				
P	LTR	DESCRIPTION	DATE	APVD
	-	SEE SHEET 1	-	-

COMPATABILITY CHART				
MATERIAL DASH NO.	MATERIAL DESCRIPTION	RT SPEC	COATING SLASH NO.	COATING S NO.
-3	Polyolefin, Semi-rigid	RT-301	/42;/86;/180	S1017;S1048;S1030
-4	Polyolefin, Flexible	RT-1304	/42;/86;/180	S1017;S1048;S1030
-12	Fluoroelastomer, Flexible	RT-1312	N/A	N/A
-25	Elastomer, Fluid Resistant	RW-2070	/42;/86;/225	S1017;S1048;S1206
-100	Polyolefin, semi-flexible Zerohal	RW-2082	/86; /180	S1048; S1030

ORDERING INFORMATION



NOTE


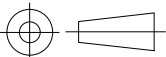
- 1) AS SUPPLIED DIMENSIONS ARE FOR UNCOATED PARTS, WHEN COATING IS ADDED ENTRY DIAMETERS WILL REDUCE BY 1.5MM[.06] MAX.
- 2) S1030(/180 EQUIVALENT) WILL BE SUPPLIED AS CS-1972 (S1030 TAPE IN THE BAG) (I.E 242W042-100-CS-1972-0) OR AS /180 IF REQUIRED
- 3) ZEROHAL IS TRADEMARK OF TYCO ELECTRONICS

RELEASED FOR PUBLICATION

ALL RIGHTS RESERVED.

© COPYRIGHT - TE Connectivity Ltd.

THIS DRAWING IS UNPUBLISHED.

DIMENSIONS: mm [INCHES]	DWN PRAVEEN N T	05FEB2019	MATERIAL SEE SHEET 2	FINISH -
	CHK N NAGAR	05FEB2019	 TE Connectivity Ltd.	
TOLERANCES UNLESS OTHERWISE SPECIFIED:	APVD M TAYLOR	05FEB2019		
0 PLC ± -	PRODUCT SPEC	-	NAME BOOT, 135 DEGREES WITH LIP	
1 PLC ± -	APPLICATION SPEC	-	SIZE	CAGE CODE
2 PLC ± -			A4	00779
3 PLC ± -			DRAWING NO	
4 PLC ± -			C-242W0XX-XX-0	
ANGLES ± -	WEIGHT		RESTRICTED TO	
			-	
CUSTOMER DRAWING			SCALE DNS	SHEET 2 OF 2
			REV 3	

Mouser Electronics

Authorized Distributor

Click to View Pricing, Inventory, Delivery & Lifecycle Information:

[TE Connectivity:](#)

[242W053-25/225-0](#)