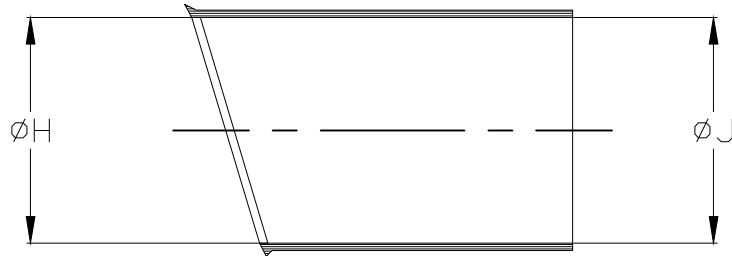
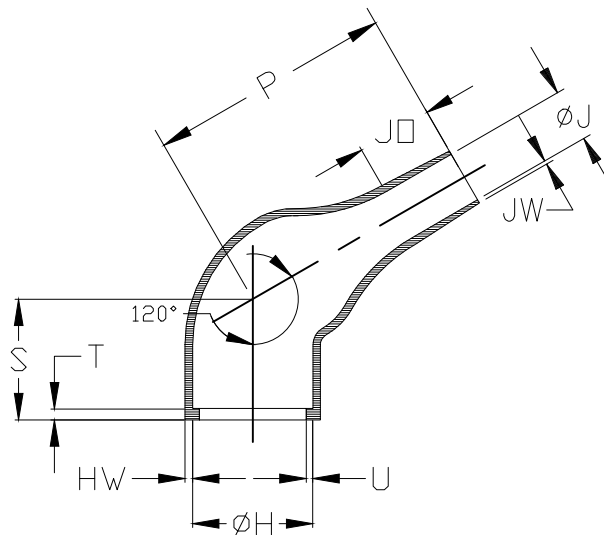


REVISIONS				
P	LTR	DESCRIPTION	DATE	APVD
	2	PRODUCTION ISSUE	04FEB2019	PNT MT

a) Part as supplied



b) Part after unrestricted recovery



DIMENSIONS TABLE


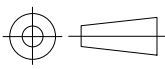
PART No.	H		J		P	S	T	U	JØ	HW	JW
	Min	Max	Min	Max	$\pm 10\%$	$\pm 10\%$	$\pm 10\%$	$\pm 10\%$	$\pm 10\%$	$\pm 20\%$	$\pm 20\%$
	a	b	a	b	b	b	b	b	b	b	b
263W042	60 [2.36]	33.8 [1.33]	60 [2.36]	14.8 [.58]	65 [2.56]	32 [1.26]	3.0 [.12]	1.8 [.07]	18 [.70]	2.0 [.08]	1.0 [.039]

RELEASED FOR PUBLICATION

ALL RIGHTS RESERVED.

TE Connectivity Ltd.

THIS DRAWING IS UNPUBLISHED.

DIMENSIONS: mm [INCHES]	DWN	04FEB2019	MATERIAL	SEE SHEET 2	FINISH	-
	PRAVEEN N T	04FEB2019	CHK	N NAGAR	 TE Connectivity Ltd.	
TOLERANCES UNLESS OTHERWISE SPECIFIED:	APVD	04FEB2019	APVD	M TAYLOR		
	0 PLC $\pm -$	1 PLC $\pm -$	2 PLC $\pm -$	3 PLC $\pm -$	4 PLC $\pm -$	ANGLES $\pm -$
	PRODUCT SPEC	-	NAME	30 DEGREE BOOT		
	APPLICATION SPEC	-	SIZE	CAGE CODE	DRAWING NO	RESTRICTED TO
WEIGHT	A4	00779	G-263W042-XX-0		-	
CUSTOMER DRAWING				SCALE	DNS	SHEET 1 of 2
				REV	2	

REVISIONS

P	LTR	DESCRIPTION	DATE	DWN	APVD
	-	SEE SHEET 1	-	-	-

COMPATIBILITY CHART

Material Dash Number	Material Description	RT Spec	Coating Slash No.	Coating S No.
-3	POLYOLEFIN, SEMI-RIGID	RT-301	/42, /86, /180	S1017; S1048; S1030
-4	POLYOLEFIN, FLEXIBLE	RT-1304	/42, /86, /180	S1017; S1048; S1030
-25	ELASTOMER, FLUID RESISTANT	RW-2070	/42, /86, /225	S1017; S1048; S1206

Ordering Information

263W042-XX/XX-0

Color designator  
Adhesive Slash Number (if required see compatibility chart)  
Material Dash Number (see compatibility chart)  
Base Part Number

NOTES

- 1) As supplied dimensions are for uncoated parts, when coating is added entry diameters will reduce by 1.5mm[.06] Max.

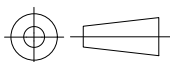
RELEASED FOR PUBLICATION

ALL RIGHTS RESERVED.

THIS DRAWING IS UNPUBLISHED.

© COPYRIGHT - TE Connectivity Ltd.

DIMENSIONS: mm [INCHES]	DWN PRAVEEN N T	04FEB2019	MATERIAL	-	FINISH	-
	CHK N NAGAR	04FEB2019	TE Connectivity Ltd.			
TOLERANCES UNLESS OTHERWISE SPECIFIED:	APVD M TAYLOR	04FEB2019				
0 PLC ± -	PRODUCT SPEC	-	NAME	30 DEGREE BOOT		
1 PLC ± -	APPLICATION SPEC	-	SIZE	CAGE CODE	DRAWING NO	RESTRICTED TO
2 PLC ± -			A4	00779	Ⓒ-263W042-XX-0	-
3 PLC ± -	WEIGHT		CUSTOMER DRAWING			
4 PLC ± -			SCALE	DNS	SHEET	2 OF 2
ANGLES ± -					REV	2



# Mouser Electronics

Authorized Distributor

Click to View Pricing, Inventory, Delivery & Lifecycle Information:

[TE Connectivity:](#)

[263W042-25/225-0](#)