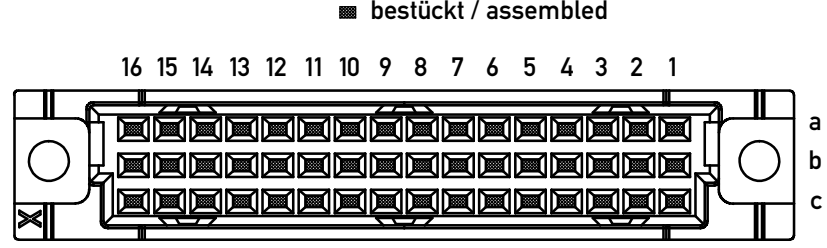
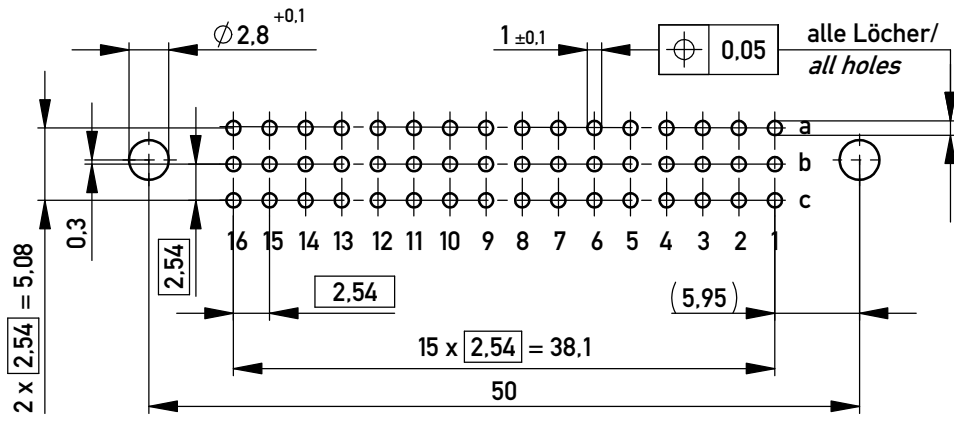


Bestückungsplan / contact layout



Tauchlötanschluss 0,65x0,3 / solder terminal 0,65x0,3
 Isolierwerkstoff / housing material : PBT GF 30
 Bauart 7 / type 7
 Anforderungsstufe 1 = 500 Steckzyklen / performance class 1 = 500 mating cycles
 Fehlende Maße und Angaben nach IEC 60 603-2 / DIN EN 60 603-2
 Missing information and dimensions per IEC 60 603-2

Leiterplatten-Lochbild / PCB drillhole Pattern



Information: All rights reserved. Only for Information. To ensure that this is the latest version of this drawing, please contact one of the ERNI companies before using.	Tolerances All Dimensions in mm	Scale	2:1
		Designation Federleiste C/2 48 Löt Fem. Connector C/2 48 Solder	
www.ERNI.com	254895		I
	Class		A3
Index	Date	Class STVC/2	

Copyright by ERNI GmbH
Proprietary notice pursuant to ISO 16016 to be observed.

Mouser Electronics

Authorized Distributor

Click to View Pricing, Inventory, Delivery & Lifecycle Information:

[TE Connectivity:](#)

[254895](#) [254895-E](#)