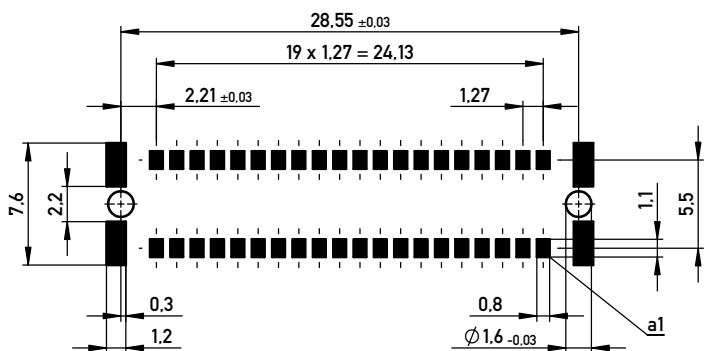


Leiterplatten-Layout Vorschlag für SMT  
PCB-Layout Proposal for SMT



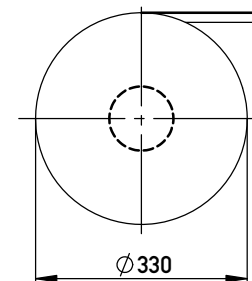
Anforderungsstufe 1  
Performance Level 1

Kontaktbereich vergoldet  
Mating Area gold plating

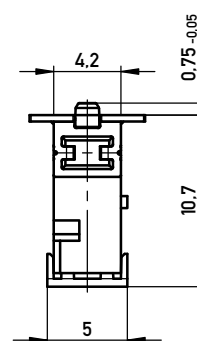
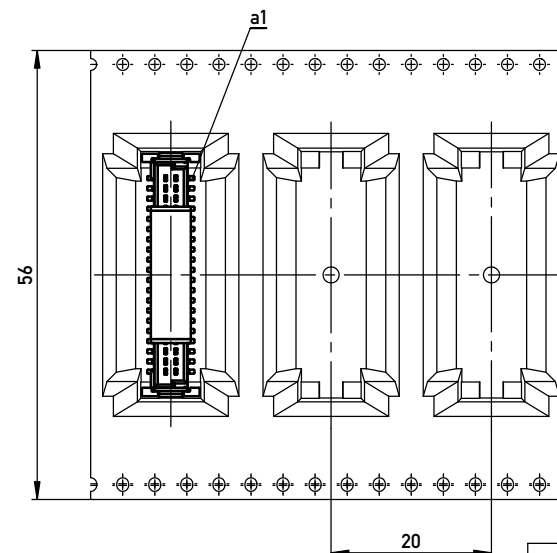
Anschlussbereich verzinkt 4-6 µm  
Terminal Area 4-6 µm tin plating

Koplanarität der Anschlüsse  $\Delta$  0.1 mm  
Coplanarity Area of Termination  $\Delta$  0.1 mm

Verpackt im Gurt nach DIN IEC 60286-3  
Tape on Reel Packaging according to DIN IEC 60286-3  
Verpackungseinheit: 250 Stück  
Packaging unit: 250 pcs



Abspulrichtung - Reel off Direction



BA 8-23 - hohe Bauhöhe  
type 8-23 - High Profile

Information:		Tolerances	Scale 3:1	Designation	
All rights reserved. Only for Information. To ensure that this is the latest version of this drawing, please contact one of the ERNI companies before using.		 All Dimensions in mm	 3:1	Messerl. SMC-Q 40-SMD-BA8-23 Male SMC-Q 40-SMD-type8-23	
www.ERNI.com				254417	
e	26.06.2015	Class		SMCQ	
Index	Date				

Copyright by ERNI GmbH  
Proprietary notice pursuant to ISO 9006 to be observed.

# Mouser Electronics

Authorized Distributor

Click to View Pricing, Inventory, Delivery & Lifecycle Information:

[TE Connectivity:](#)

[254417](#) [254417-E](#)