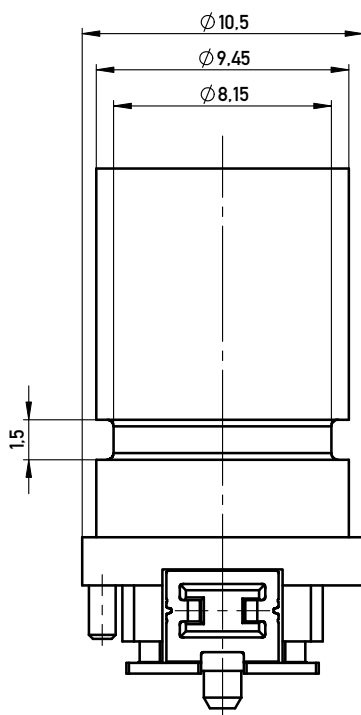
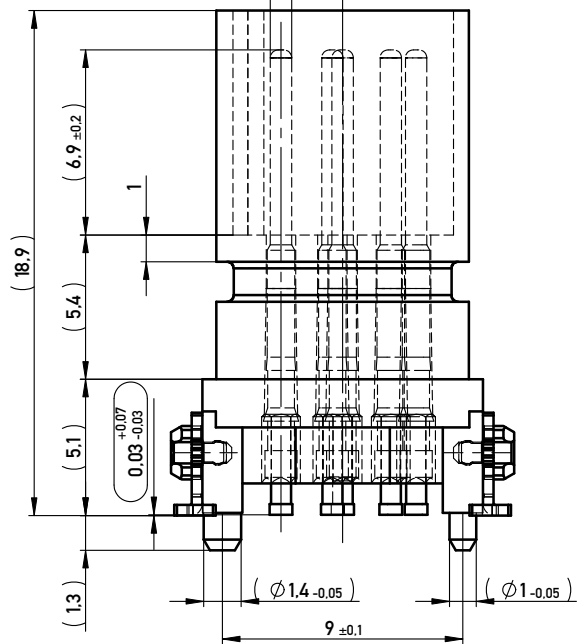
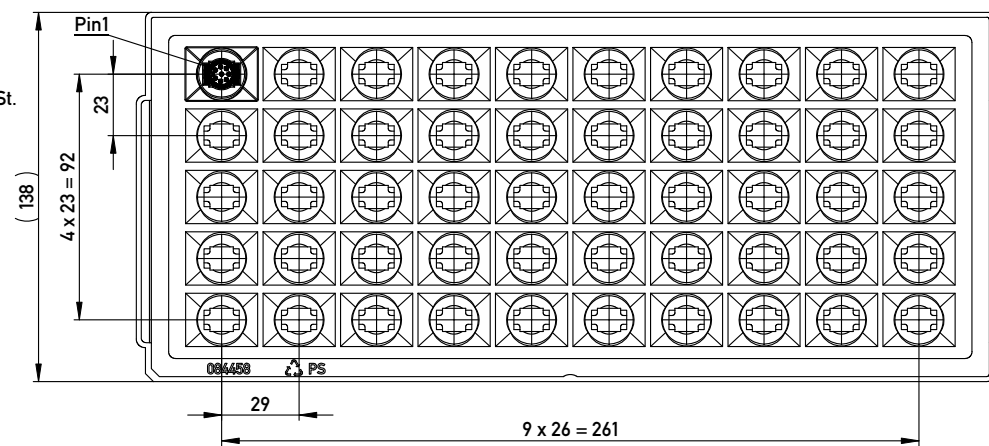
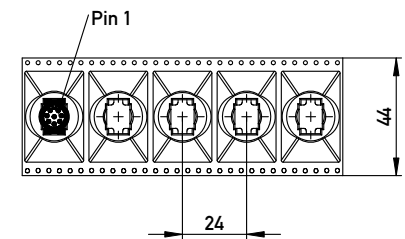
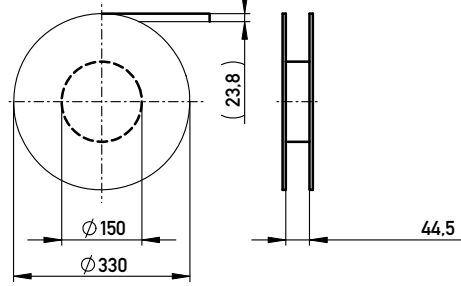


Verpackt im Tray: Verpackungseinheit 50 St.
tray packaging: packaging unit 50 pcs

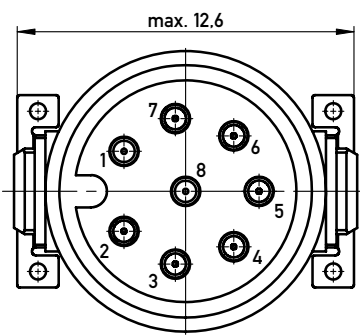
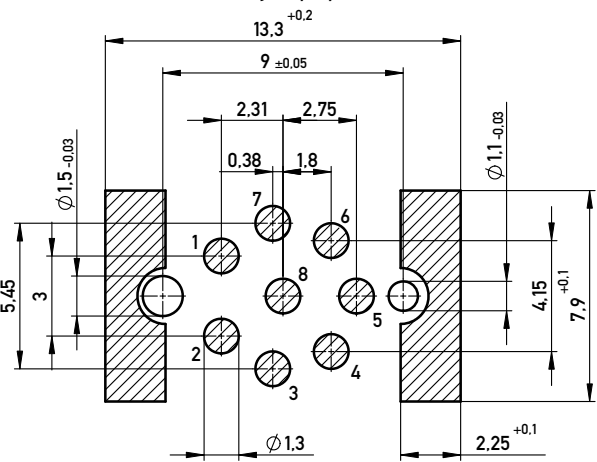


Verpackt in Gurtverpackung - Tape on Reel Packaging
Verpackungseinheit: 75 Stück - Packaging unit: 75 pcs

Abspulrichtung - Reel off Direction



Layout - Vorschlag
PCB - Layout proposal



Koplanarität aller Kontakte und Clip <= 0,1mm
coplanarity of all contacts and clips <= 0,1mm

Copyright by ERNI GmbH
Proprietary notice pursuant to ISO 16106 to be observed.

Information:	Tolerances	Scale	5:1
All rights reserved. Only for Information. To ensure that this is the latest version of this drawing, please contact one of the ERNI companies before using.	 All Dimensions in mm	Designation	Messerleiste M12 8pol.A Cod 10,5mm o.Dichtung mit Einstich
Ident.-Nr.	Typ	Bemerkung	
454464	8 Pol. A Cod.	Tray	
284810	8 Pol. A Cod.	Gurtverp./ tape on reel	
254317	8 Pol. A Cod.	Schüttgut 100 St./ bulk 100 pcs.	
d	02.03.2011		
Index	Date		
		Class	M12
		254316	
		I	
		A3	

Mouser Electronics

Authorized Distributor

Click to View Pricing, Inventory, Delivery & Lifecycle Information:

[TE Connectivity:](#)

[254317](#) [254317-E](#)