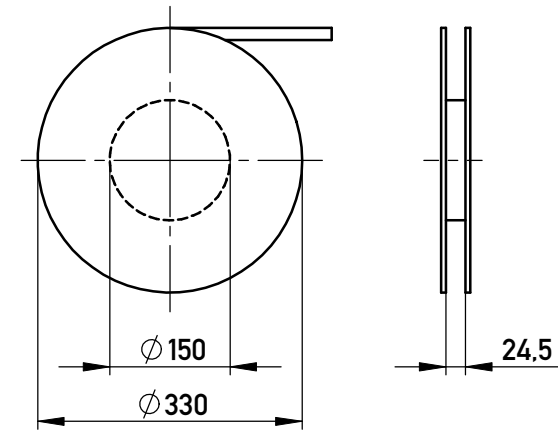
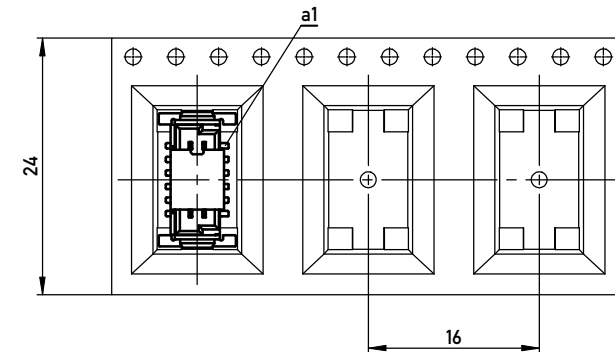


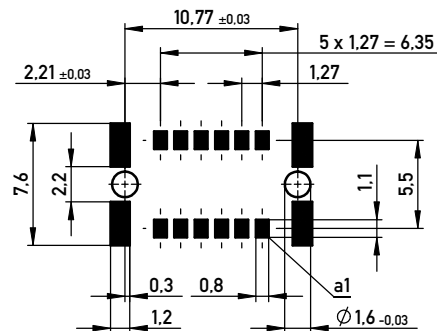
Verpackt in Gurtverpackung - *Tape on Reel Packaging*
 Verpackungseinheit: 280 Stück - *Packaging unit: 280 pcs*



Abspulrichtung - *Reel off Direction* →



Leiterplatten-Layout Vorschlag für SMT
PCB-Layout Proposal for SMT



Anforderungsstufe 1
Performance Level 1

Kontaktbereich vergoldet
Mating Area gold plating

Anschlussbereich verzinkt 4-6 µm
Terminal Area 4-6 µm tin plating

Koplanarität der Anschlüsse ≤ 0.1 mm
Coplanarity Area of Termination ≤ 0.1 mm

BA 8-03 - Standard Bauhöhe

type 8-03 - Standard Assembly Height

Information:		Tolerances	All Dimensions in mm	Scale	3:1
All rights reserved. Only for Information. To ensure that this is the latest version of this drawing, please contact one of the ERNI companies before using.		Subject to modification without prior notice. Drawing will not be updated.		Designation	
		www.ERNI.com		Messerl. SMC-Q-12-SMD-BA8-03 Male SMC-Q 12-SMD-type8-03	
b		27.10.2010		244854	
Index		Date		I A3	
				Class	
				SMCQ	

Copyright by ERNI GmbH. Proprietary notice pursuant to ISO 16018 to be observed.

Mouser Electronics

Authorized Distributor

Click to View Pricing, Inventory, Delivery & Lifecycle Information:

[TE Connectivity:](#)

[244854](#) [244854-E](#)