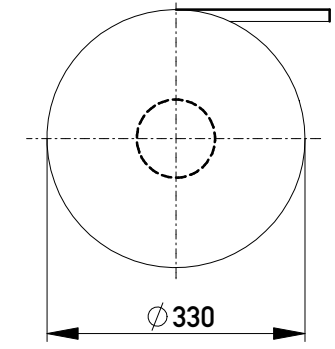
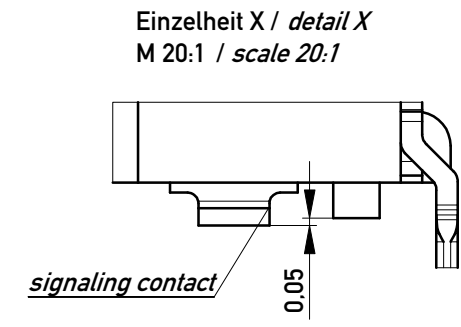
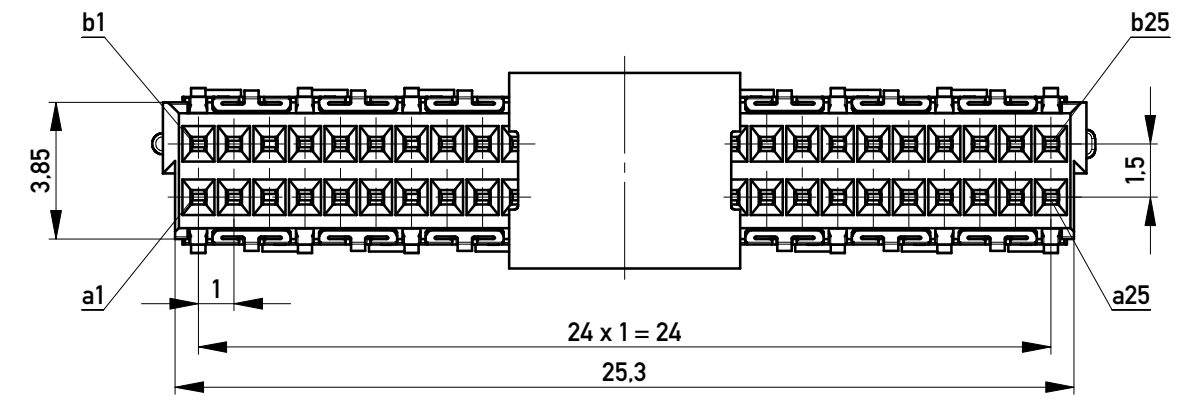
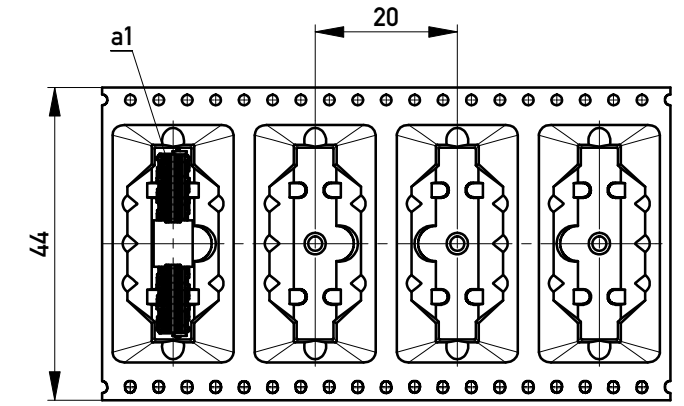


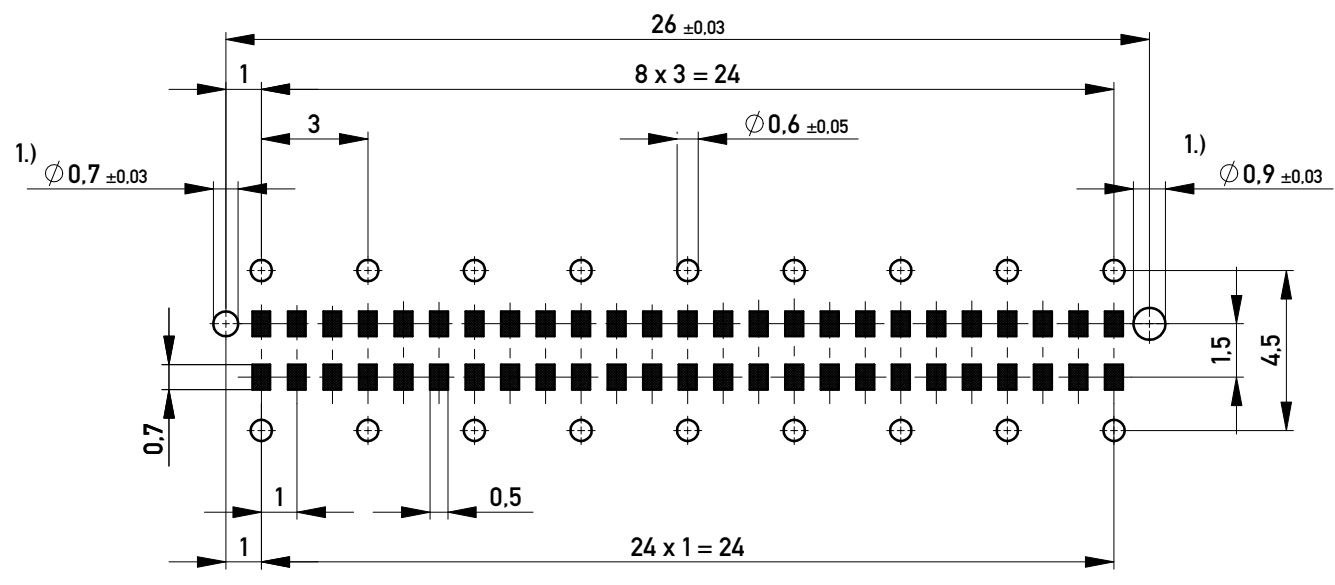
Verpackt im Gurt in Anlehnung an DIN IEC 60286-3
 tape on reel packaging according to DIN IEC 60286-3
 Verpackungseinheit: 240 Stück
 packaging unit: 240 pcs



Abspulrichtung - Reel off Direction



Leiterplatten-Layout Vorschlag / PCB-Layout Proposal



1.) Durchmesser des Bohrers / Drill tool

Anforderungsstufe 1
 Performance Level 1

Kontaktbereich vergoldet
 Mating Area gold plating

Anschlussbereich verzinkt 4-6µm
 Terminal Area 4-6µm tin plating

Koplanarität der Anschlüsse ≤ 0,1mm
 Coplanarity Area of Termination ≤ 0,1mm

Information: All rights reserved. Only for Information. To ensure that this is the latest version of this drawing, please contact one of the ERNI companies before using.	Tolerances	All Dimensions in mm	Scale	5:1
	Subject to modification without prior notice. Drawing will not be updated.		Designation Federleiste 8mm THR, 50 polig Female 8mm THR, 50 contacts	
g	20.10.2017	www.ERNI.com	224515	
Index	Date		Class	MSPEED

Copyright by ERNI GmbH
 Proprietary notice pursuant to ISO 16016 to be observed.

I
 A3

Mouser Electronics

Authorized Distributor

Click to View Pricing, Inventory, Delivery & Lifecycle Information:

[TE Connectivity:](#)

[224515](#) [224515-E](#)