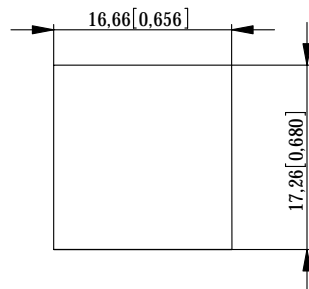


RECOMMENDED PANEL CUTOUT
EMPFOHLENER FRONTPLATTEN AUSSCHNITT



MATERIALS AND FINISH

HOUSING: GLASS FILLED POLYESTER UL 94 V-0 BLACK
 SHIELDING: Cu ALLOY, PLATED WITH Ni
 CONTACTS: PHOSPHOR BRONZE
 CONTACT FINISH: Au, 0.8 μm (30 μin) OVER Ni
 TERMINAL FINISH: Sn MATTE
 LED LENS: EPOXY

MECHANICAL CHARACTERISTICS

DURABILITY: 1000 MATING CYCLES
 OPERATING TEMPERATURE: 0°C TO 70°C

NOTE 1: RoHS COMPLIANT; PRINT "RC" WITH DATE CODE

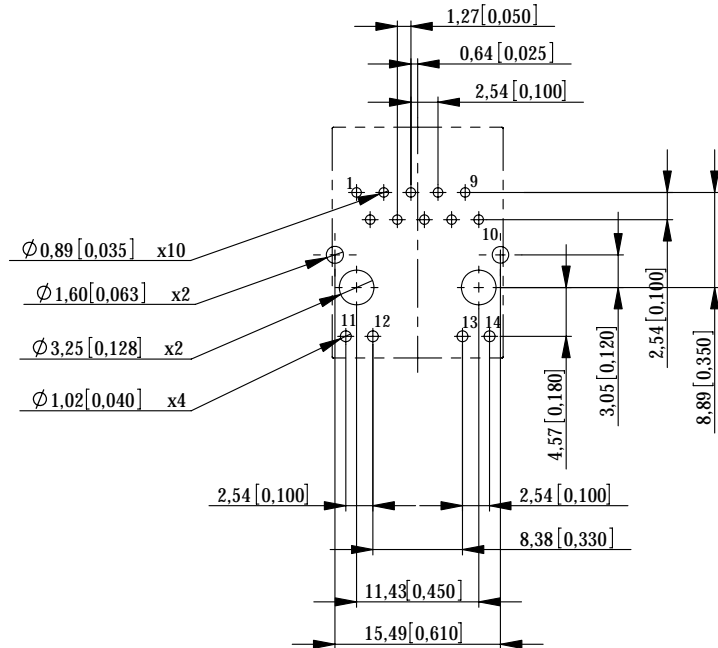
NO. IDENT.-NR.	LED 2 LEFT LED 2 LINKS	LED 1 RIGHT LED 1 RECHTS	LED CODE
203342	YELLOW	GREEN	L1
203343	GREEN	YELLOW	L2
203344	GREEN	GREEN	L3
203345	GREEN	RED	L4
203346	ORANGE/GREEN	ORANGE/GREEN	L9

Information: SCHEMATIC NUMBER: M5B01		Tolerances 	Scale 2:1
All rights reserved. Only for Information. To insure that this is the latest version of this drawing, please contact one of the ERNI companies before using.		Subject to modification without prior notice. Drawing will not be updated.	Designation MOD - JACK MJIMV 1x1,8C10T, VERTICAL, INT.MAG., LED
A		30.03.2006	1 (1/2)
Index		Date	A3
ERNI		www.ERNI.com	Class MAXMJ
			203341

Copyright protection expires from 2018-11

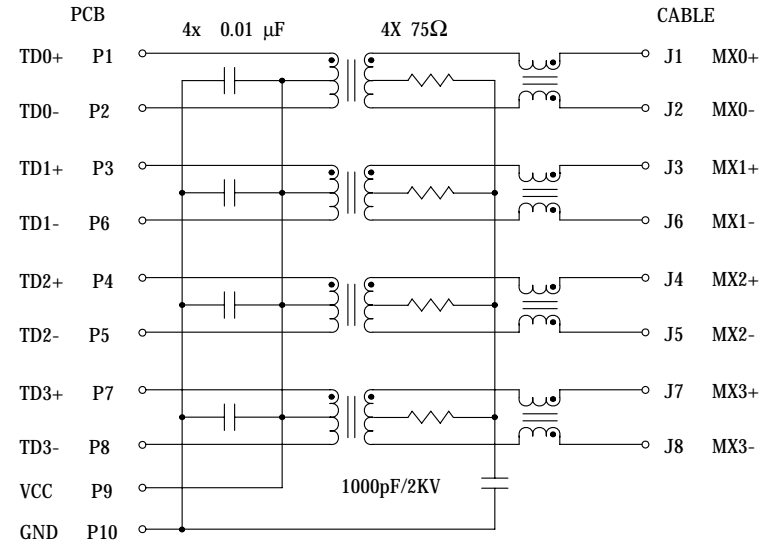
ELECTRICAL SCHEMATICS 1000 BASE T - M5B01
ELEKTRISCHER SCHALTPLAN

RECOMMENDED PCB LAYOUT (COMPONENT SIDE VIEW)
EMPFOHLENES LEITERPLATTEN-LAYOUT (BESTÜCKUNGSSEITE)
TOL ±0.05 [0.002] UNLESS NOTED



MAGNETICS SPECIFICATIONS @ 25°C

URNS RATIO:	1CT:1CT ±3%
OCL(100 KHz, 0.1 V, 8 mA)	350 µH MIN
INSERTION LOSS:	
1-100 MHz	-1.1 dB MAX
RETURN LOSS:	
1-40 MHz	-18 dB MIN
60 MHz	-14 dB MIN
80 MHz	-12 dB MIN
100 MHz	-10 dB MIN
CROSSTALK:	
1-100 MHz	-35 dB TYP
CMR:	
0.1 - 30 MHz	-50 dB TYP
30 - 60 MHz	-40 dB TYP
60 - 100 MHz	-35 dB TYP
ISOLATION	1500 Vrms



LED SPECIFICATIONS
LED ANWEISUNG

COLOR FARBE	V _f TYP	V _f MAX	I _f mA	CIRCUIT DIAGRAM SCHALTPLAN
YELLOW	2.1	2.5	20	
GREEN	2.2	2.5	20	
RED	2.25	2.5	20	
ORANGE/GREEN	2.05/2.2	2.5	20	

Information:	Tolerances All Dimensions in mm	Scale 2:1
All rights reserved. Only for Information. To insure that this is the latest version of this drawing, please contact one of the ERNI companies before using.	Subject to modification without prior notice. Drawing will not be updated.	Designation MOD - JACK MJIMV 1x1,8C10T,VERTICAL,INT.MAG., LED
www.ERNI.com	203341	1 (2/2) A3
Class		MAXMJ

Mouser Electronics

Authorized Distributor

Click to View Pricing, Inventory, Delivery & Lifecycle Information:

[TE Connectivity:](#)

[203343](#) [203342](#) [203346](#) [203344](#) [203342-E](#) [203343-E](#) [203344-E](#) [203346-E](#)