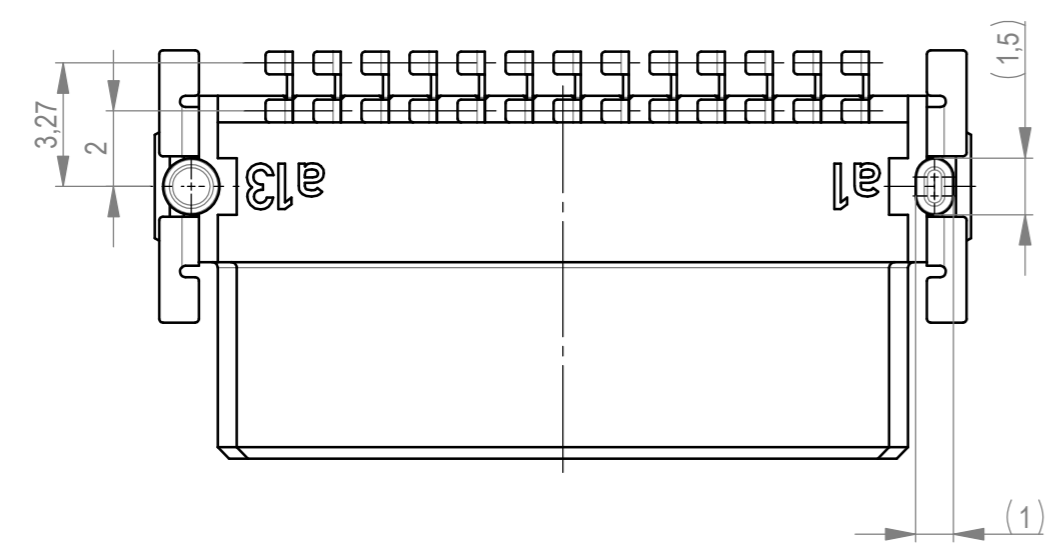
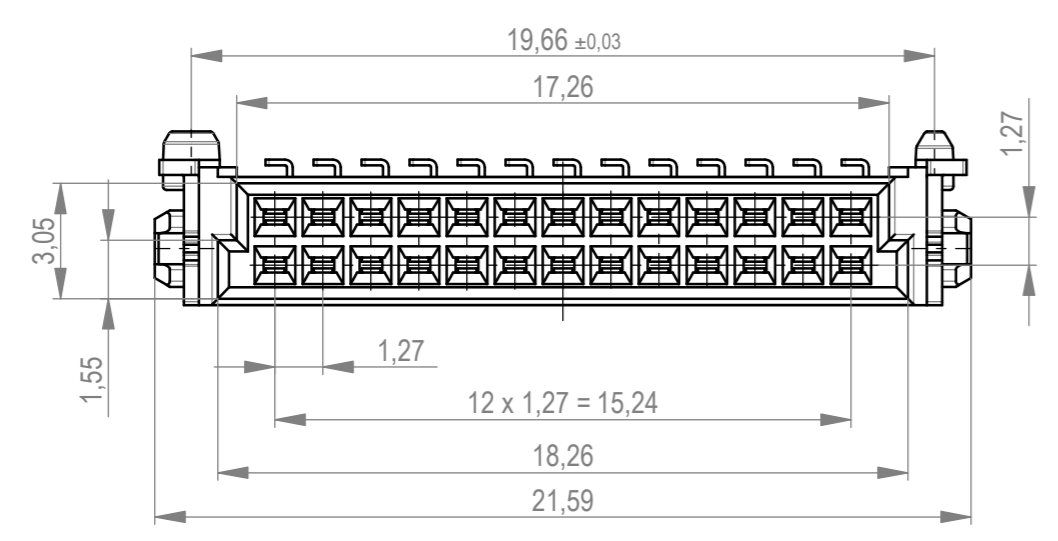
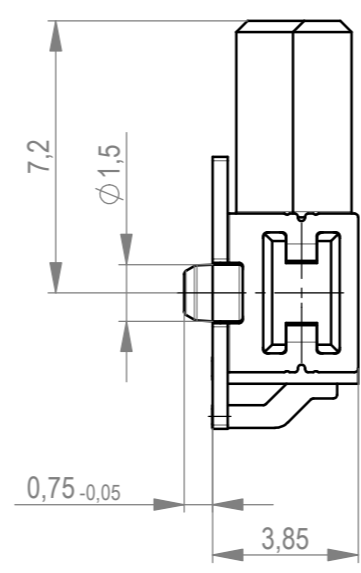
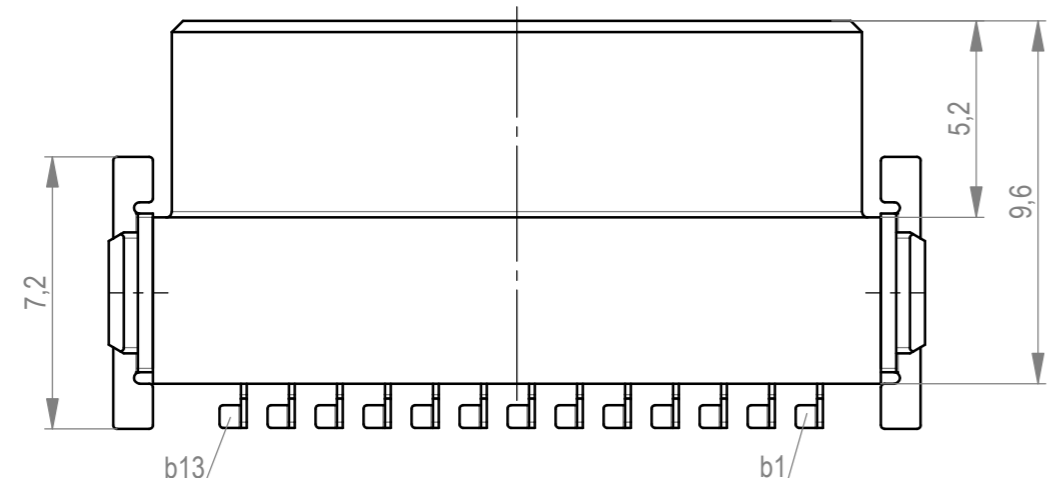
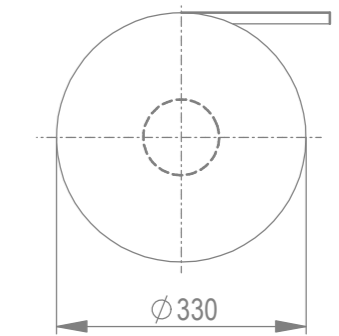
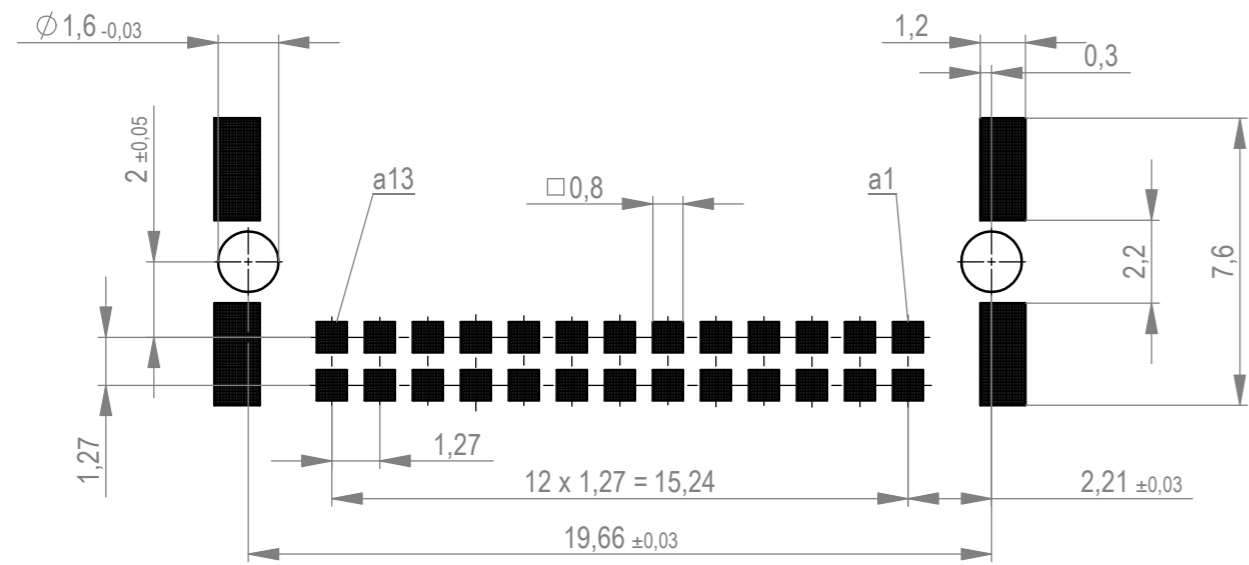
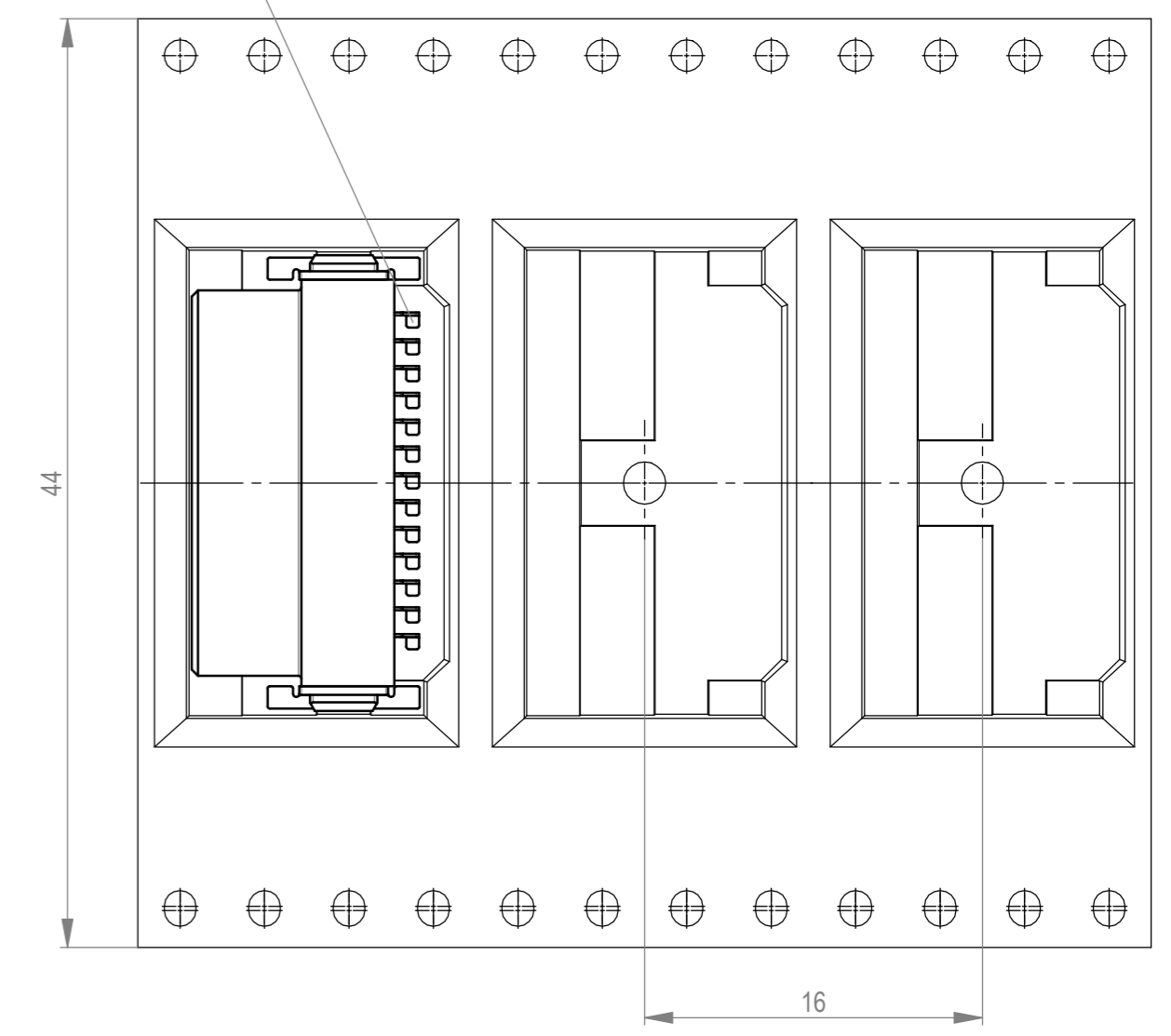


Leiterplatten-Layout Vorschlag für SMT  
PCB-Layout Proposal for SMT

Verpackt im Gurt in Anlehnung an DIN IEC 60286-3  
tape on reel packaging according to DIN IEC 60286-3  
Verpackungseinheit: 560 Stück  
packaging unit: 560 pcs



Abspulrichtung - reel off direction



Anforderungsstufe 1  
performance level 1

Kontaktbereich vergoldet  
mating area gold plating

Anschlussbereich verzinkt 4-6 µm  
terminal area 4-6 µm tin plating

Koplanarität der Anschlüsse ≤ 0,1 mm  
coplanarity area of termination ≤ 0,1 mm

BA7-03 - Standard Bauhöhe  
type7-03 - standard assembly height

Wahrung sowie Vervielfältigung dieses Dokuments, Verwertung und Mitteilung seines Inhalts sind verboten, soweit nicht ausdrücklich gestattet. Zuwiderhandlungen verpflichten zu Schadenersatz. Alle Rechte vorbehalten. In case of any deviation from the original, the user shall be held liable for the payment of damages. All rights reserved for the event of the grant of a patent, utility model or design.

Dimension no.	Tolerances		Scale	5:1
	ISO 8015	All Dimensions in mm	Material	
Customer drawing:	Subject to modification without prior notice. Drawing will not be updated.		Federl. SMC-Q 26-SMD-BA7-03 Female SMC-Q 26-SMD-type7-03	
All rights reserved. Only for information. To ensure that this is the latest version of this drawing, please contact one of the ERNI companies before using.			ERNI International AG Zürichstrasse 72 8306 Brüttisellen - Zürich Switzerland	
g	25.05.2021		154741	
Index	Date		Class	SMCQ

# Mouser Electronics

Authorized Distributor

Click to View Pricing, Inventory, Delivery & Lifecycle Information:

[TE Connectivity:](#)

[154741](#) [154741-E](#)