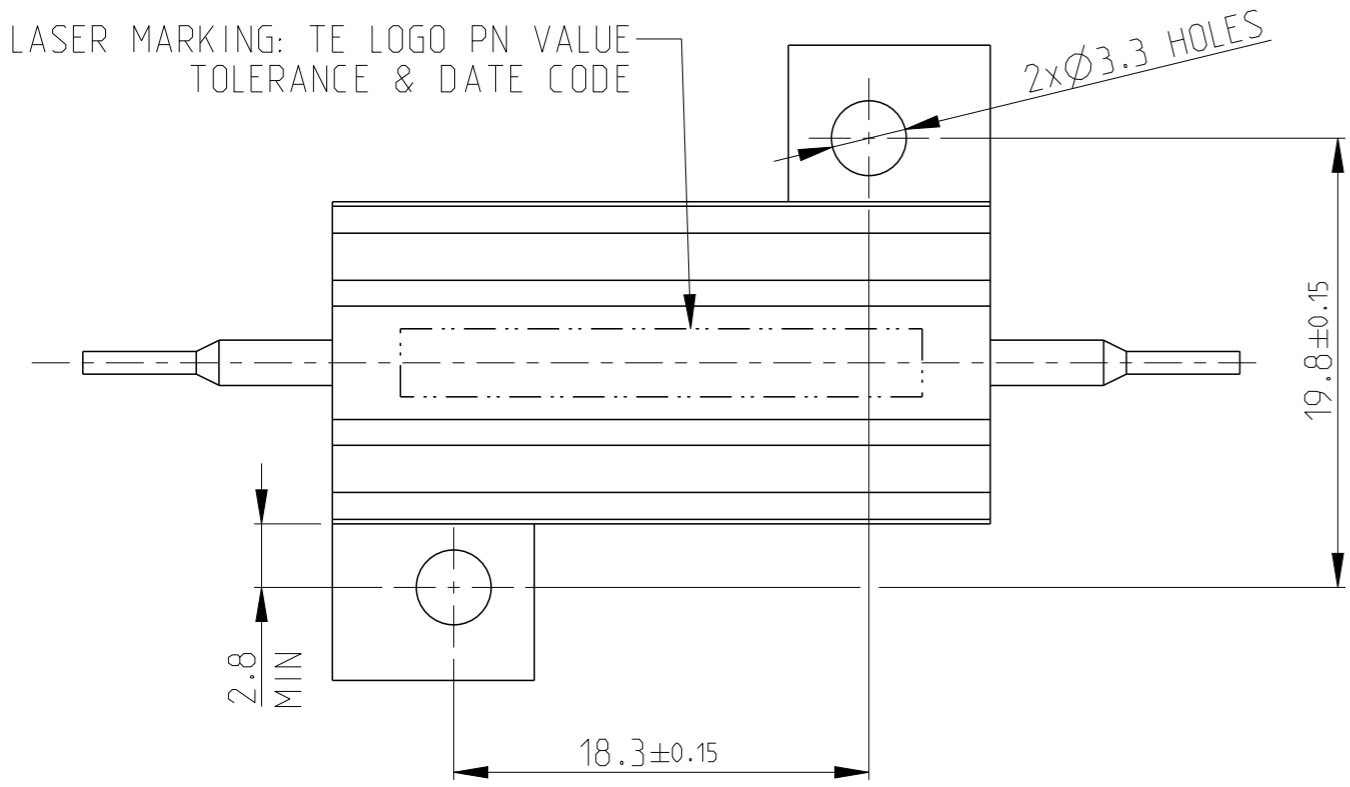


THIS DRAWING IS UNPUBLISHED. RELEASED FOR PUBLICATION OCT. 2005
 © COPYRIGHT 2005 BY - ALL RIGHTS RESERVED.

REVISIONS					
P	LTR	DESCRIPTION	DATE	DWN	APVD
	B1	Released as per ECR-08-022292	4-Sep-08	SP	JC
	T	ECR-16-003733	12MAR2016	KR	TR

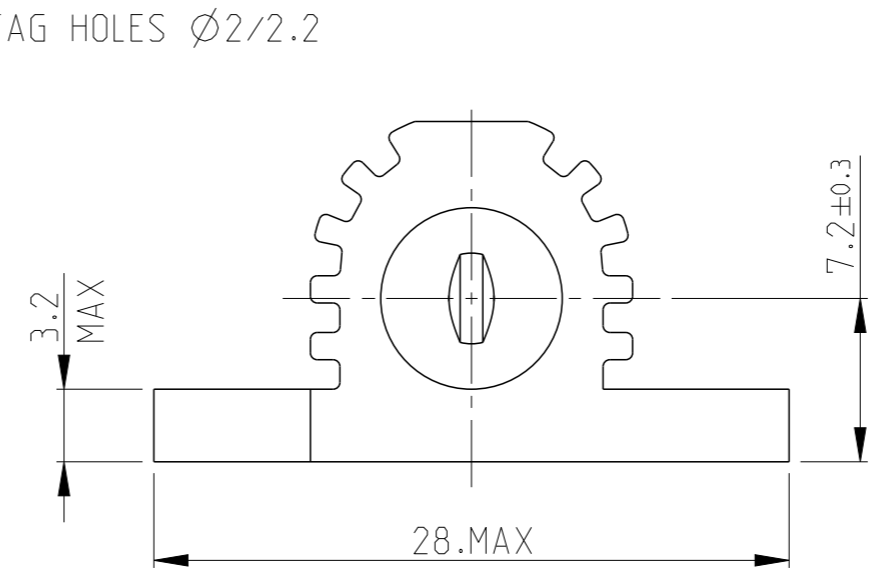
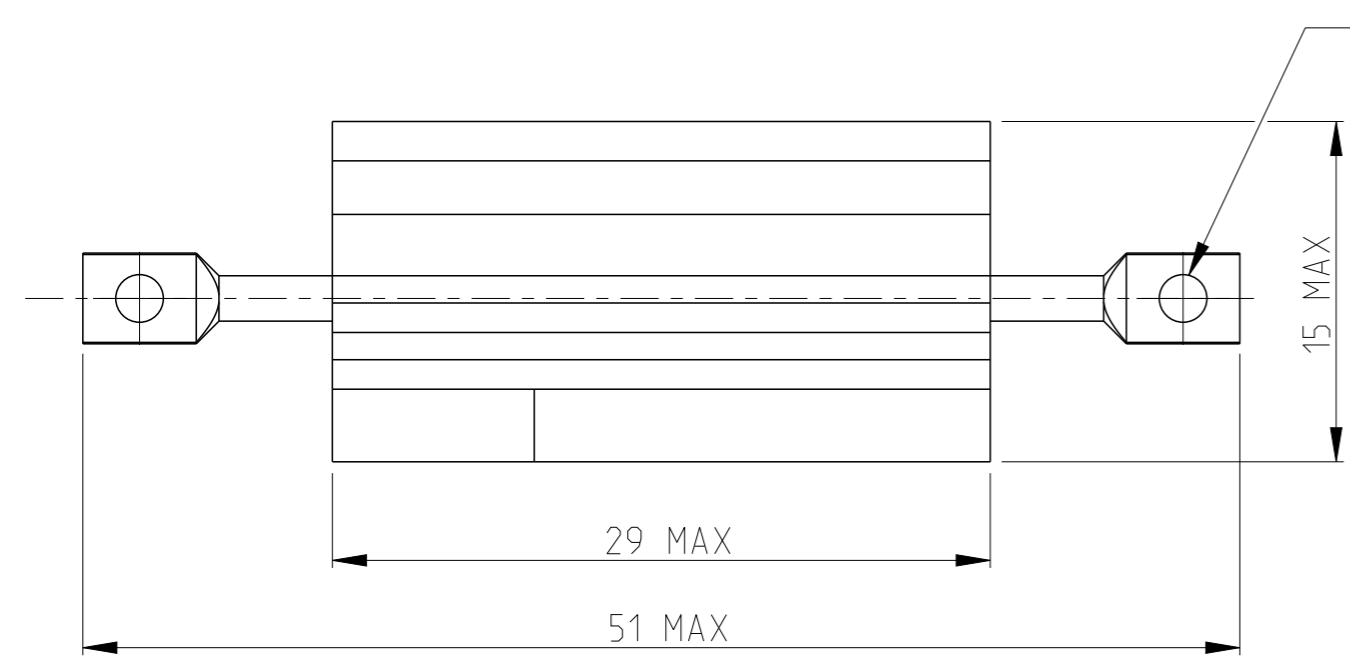


1 FOR FURTHER INFORMATION SEE DATA SHEET FOR HS SERIES-ALUMINIUM HOUSED RESISTORS

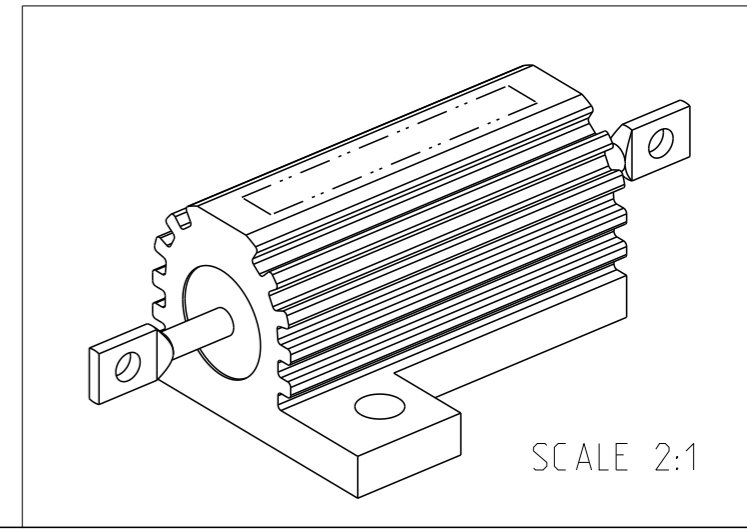
2 FOR A SPECIFIC PN FOR A RESISTANCE VALUE AND TOLERANCE, PLEASE REFER TO DMF


3 TECHNICAL SPECIFICATION

DISSIPATION AT 25°C : 25 WATTS MOUNTED ON STANDARD HEATSINK
 BS OHMIC RANGE : R051 TO 27K
 STABILITY : ΔR < =1% PER 1000Hrs
 ISOLATION VOLTAGE : 2500V DC/AC pk
 MAX WORKING VOLTAGE : 500V DC/AC rms
 TEMP COEFFICIENT : > 1R0 50ppm
 > 100R 25ppm
 CLIMATIC CATEGORY : 55/200/56



RoHS Compliant



THIS DRAWING IS A CONTROLLED DOCUMENT.		DWN	DAVE KENNEDY	30,SEP.05	 TE Connectivity	
DIMENSIONS: mm		CHK	J CATCHPOLE	03.OCT.05		
TOLERANCES UNLESS OTHERWISE SPECIFIED:		APVD	J CATCHPOLE	03.OCT.05	NAME HSA25 METAL CLAD RESISTOR	
0 PLC	±0.5	PRODUCT SPEC		-		
1 PLC	±0.2	APPLICATION SPEC		-		
2 PLC	±0.1	WEIGHT		-		
3 PLC	±	CUSTOMER DRAWING		SCALE 3:1		
4 PLC	±	MATERIAL		SIZE A3		
ANGLES	±5°	FINISH		CAGE CODE 00779		
-		-		DRAWING NO C=1676625		
material_2		finish_spec_2		RESTRICTED TO		
				SHEET 1 OF 1		
				REV T		

Mouser Electronics

Authorized Distributor

Click to View Pricing, Inventory, Delivery & Lifecycle Information:

[TE Connectivity:](#)

[HSA25R02J](#)