

# Foot Pedal Type 5 Port Mechanical Valve



- 5 port is added to the foot pedal type mechanical valve.
- Models with lock and without lock are available.

## Model

Model	XT34-60	XT34-67
Lock	With lock	Without lock
Weight	0.8 kg	0.5 kg

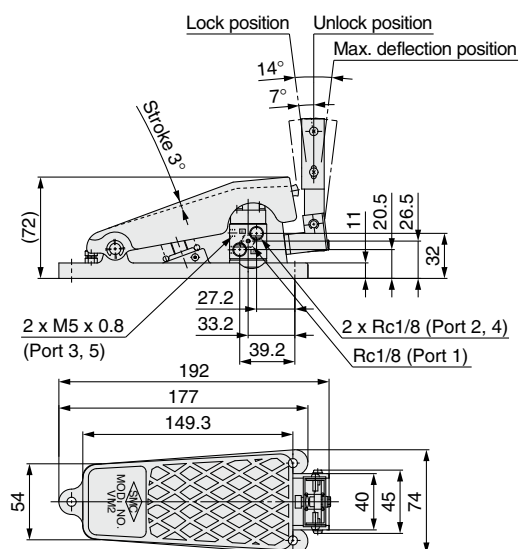
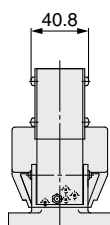
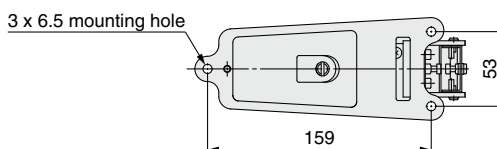
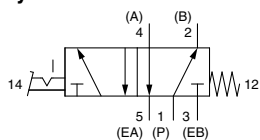
## Specifications

Fluid	Air/Inert gas				
Operating pressure	0.15 to 0.9 MPa				
Ambient and fluid temperature	-5 to 60°C (No freezing)				
Flow-rate characteristics	C [dm <sup>3</sup> /(s·bar)]	b	Cv	Q [L/min] (ANR)	
	1(P) → 2(B)/4(A)	0.76	0.22	0.17	184
	2(B)/4(A) → 4(EB)/5(EA)	0.53	0.28	0.13	133
Lubrication	Not required (Use turbine oil Class 1 ISO VG32, if lubricated)				
Port size	Port 1(P), Port 2(B), Port 4(A): Rc1/8				
	Port 3(EB), Port 5(EA): M5 x 0.8				

## XT34-60 (With lock)



### Symbol



Travel required for operation	3°
Full Operating Force (F.O.F.)	55 N (at 0.5 MPa)
Travel required to release the lock	7°
Force required to release the lock (F.O.F.)	3.5 N

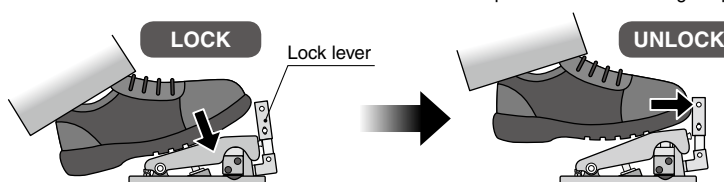
### Operation

#### Locked

When stepping on the pedal, it is locked by the lock lever, and held in a locked state.

#### Unlocked

When pushing the lock lever with the toe, the lock is released, and the pedal returns to its original position.



# XT34-60/67



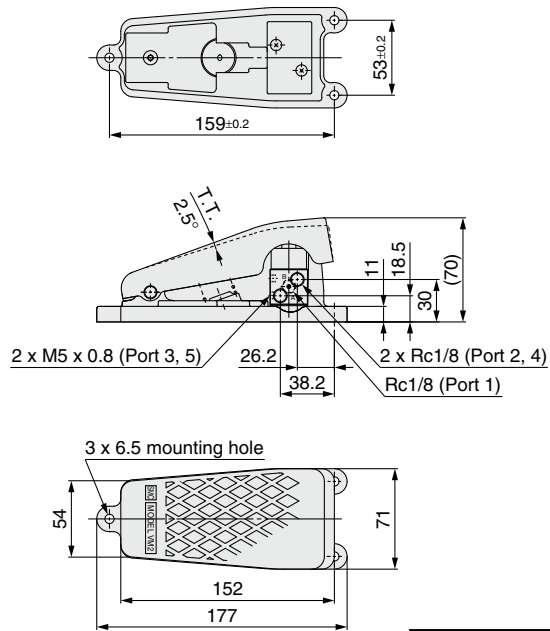
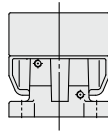
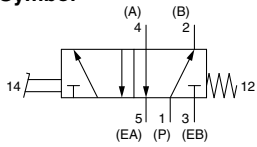
14-EU624-UK

# XT34-60/67

## ■ XT34-67 (Without lock)



### Symbol



Total Travel (T.T.)	2.5°
Full Operating Force (Reference value)(F.O.F.)	55 N (at 0.5 MPa)

## SMC Corporation

SMC CORPORATION  
 Akihabara UDX 15F, 4-14-1, Sotokanda, Chiyoda-ku, Tokyo 101-0021, JAPAN  
 Phone: 03-5207-8249 FAX: 03-5298-5362  
 SMC CORPORATION All Rights Reserved

### European Marketing Centre (EMC)

Zuazobidea 14, 01015 Vitoria  
 Tel: +34 945-184 100 Fax: +34 945-184 124  
 URL <http://www.smc.eu>