



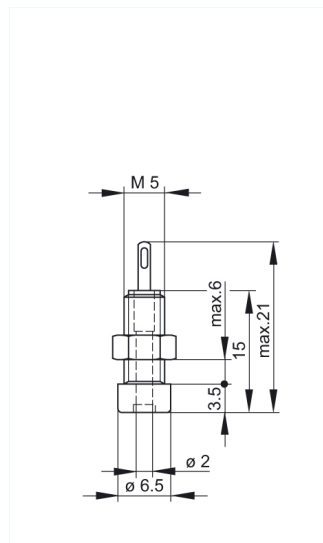
MBI 1 schwarz/black

Industrial Connectors:Measuring and Testing Equipment:Sockets:2 mm system

Product description

| | |
|----------------------|--|
| Description | 2 mm diameter miniature socket, insulated, tin-plated copper beryllium contact (spring-loaded), with solder connection. Suitable for installation in equipment chassis and switch panels up to a maximum wall thickness of 5 mm. |
| Type | MBI 1 schwarz/black |
| Order No. | 930 308-100 |
| System | 2 mm system |
| Housing Color | black |
| Other standard types | red color, order no. 930 308-101; blue color, order no. 930 308-102; yellow color, order no. 930 308-103; green color, order no. 930 308-104; grey color, order no. 930 308-106 |

Drawing



Technical data

| | |
|---------------------|------------------------|
| Type of contact | socket (spring-loaded) |
| Type of termination | solder |
| Rated voltage | DC 60 V |
| Rated current | 6 A |
| Contact resistance | 6 mOhm |
| Mounting | screw |

Material

| | |
|------------------|------------------|
| Contact material | copper beryllium |
|------------------|------------------|

| | |
|---------------------------------|------------------|
| Contact surface material | tin-plated |
| Housing material | PA |
| Environmental conditions | |
| Temperature range | -20 °C to +60 °C |
| Inflammability class | |
| Housing | 94 HB |