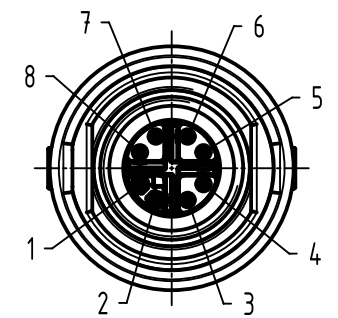
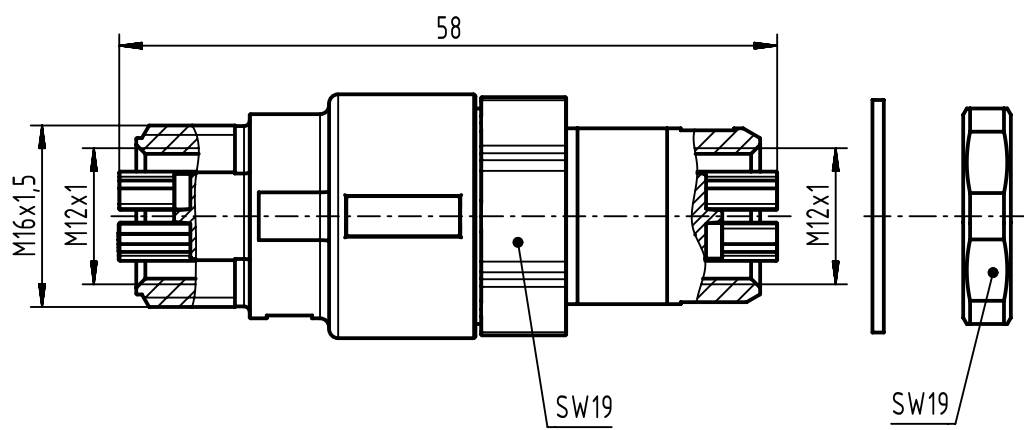
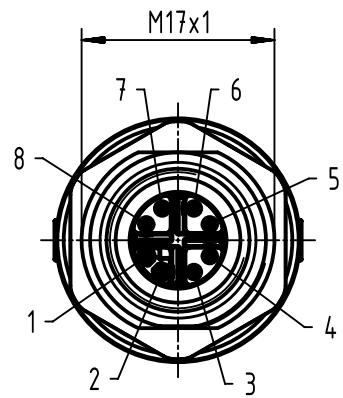
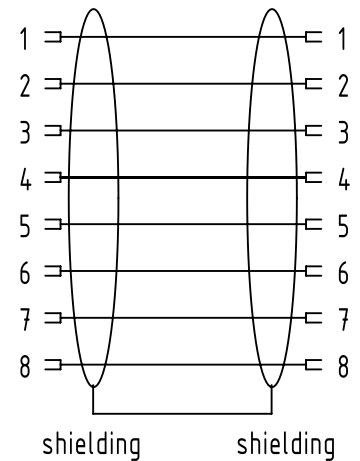


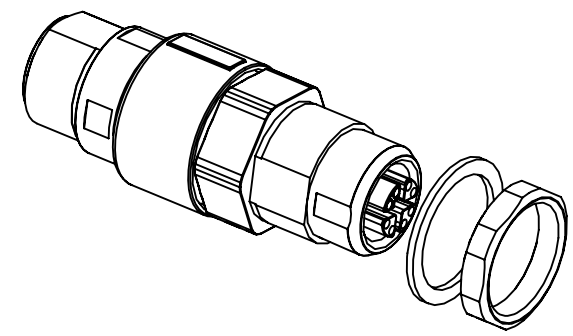
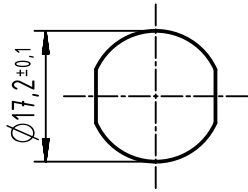
view without  
flat seal and nut



schematic diagram



Panel cut out  
(1:1)



100 pcs. per box

	All rights reserved Department EL PD	All Dimensions in mm Original Size DIN A4		Scale 1.5:1	Free size tol.	Ref. Sub.
		Created by DYCKC	Inspected by GRUBES	Standardisation HOFFMANN	Date 2019-03-01	State Final Release
HARTING Electronics GmbH D-32339 Espelkamp		Title M12 har-speed gender changer 100 pcs			Doc-Key / ECM-Nr. 100516695/UGD/018/C 500000147175	
		Type TB	Number 21803816815		Rev. C	Page 1/1