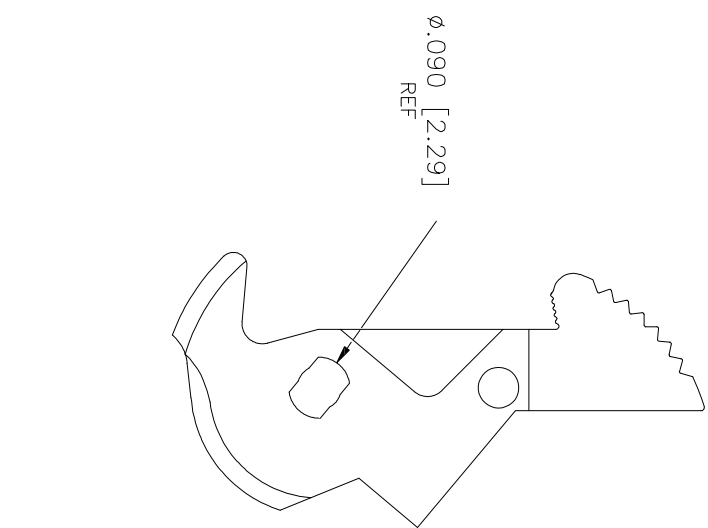
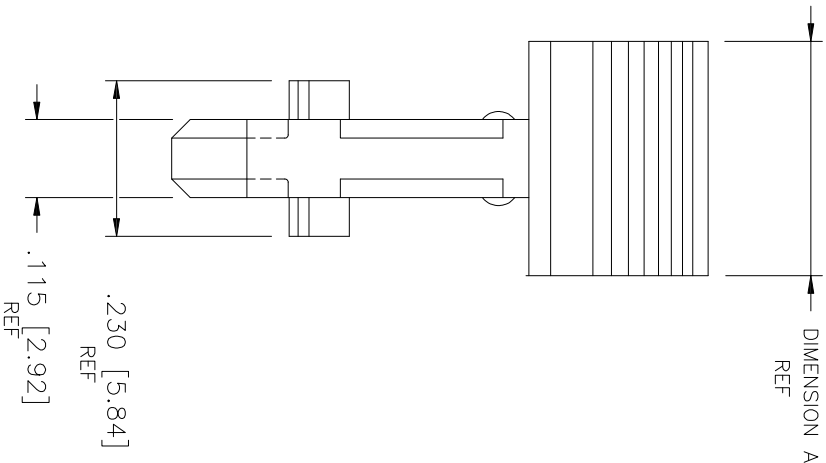
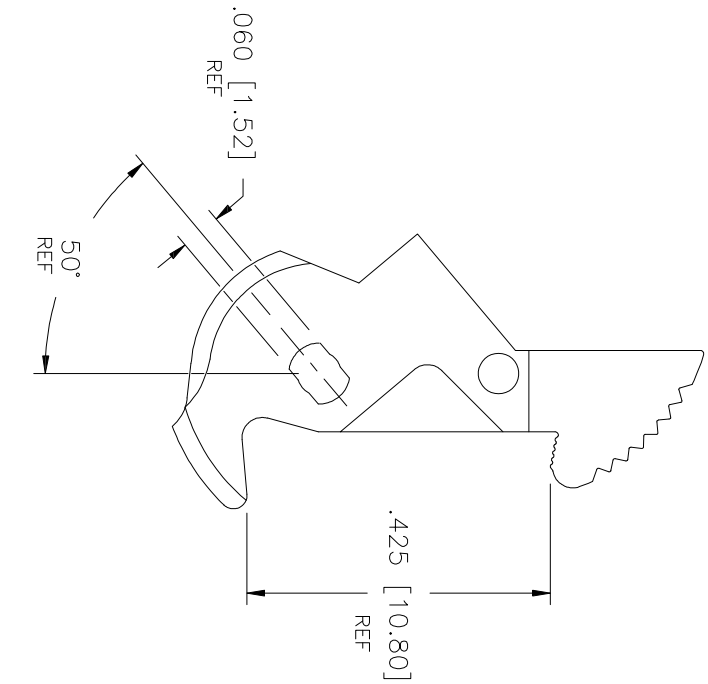


PRODUCT NUMBER	MATERIAL COLOR	MATERIAL TYPE	DIMENSION A (MM)
66177-001	BLUE	PBT	5.97
66177-002	BLACK	PBT	
66177-003	BLUE (HIGH TEMP)	PBT	
66177-004	BLACK (HIGH TEMP)	PCT	
66177-005	GRAY	PBT	
66177-006	BLUE	PBT	8.80±0.20
66177-006	BLACK	PCT	8.80±0.20



NOTE:

- 1 MOLDING MAT'L: GLASS FILLED POLYESTER, FLAME RETARDANT PER UL-94V-0. COLOR: SEE TABLE
- 2 ADD "LF" SUFFIX AT THE END OF PART NUMBER FOR LEAD FREE OPTION.
- 3 IF "LF" P/N THE PRODUCT MEETS EUROPEAN UNION DIRECTIVES AND OTHER COUNTRY REGULATION AS DESCRIBED IN GS-22-008.
- 4 THE HOUSING WILL WITHSTAND EXPOSURE TO 260° PEAK TEMPERATURE FOR 15 SECONDS IN A WAVE SOLDER APPLICATION WITH A 1.5mm MINIMUM THICKNESS CIRCUIT BOARD. SEE APPLICATION NOTES/PROCEDURES IF THEY ARE AVAILABLE.

mat'l code		surface		tolerance		projection		product family	
ltr	ecn no	dr	date	ISO 1302	ISO 1101	INCH/MM	scale	title	sheet no
B	NONE	RDS	5/6/88					SEA-HORSE LATCH	1 of 1
C	V61149	EPK	8/16/96					LOW PROFILE	
D	N06-0027	DT	1/24/06						
E	N06-0112	LONG	4/18/06						
F	ELX-N-24793	NZ	8/31/16						
sheet	revision								
index	sheet								