



4.6 x 2.4 x 1 in  
(116,8 x 61,0 x 25,4 mm)



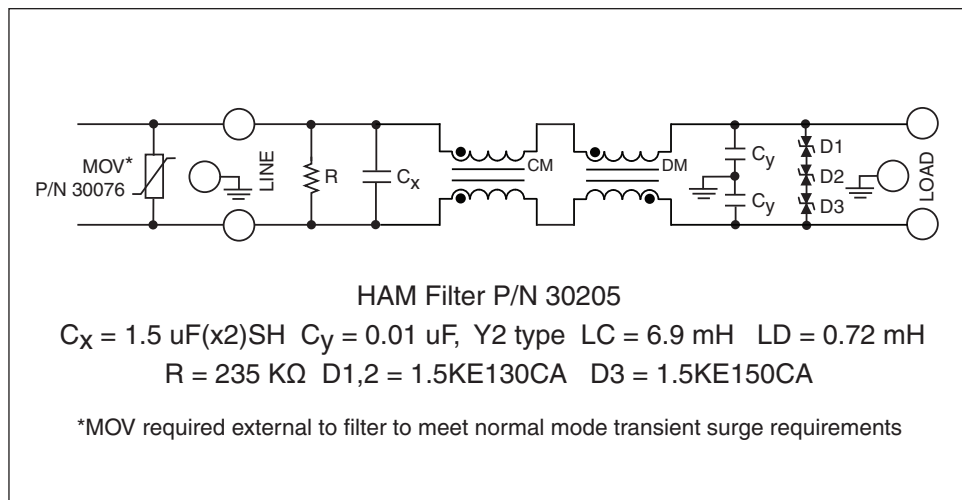
## Harmonic Attenuator Module

### Features

- Compatible with VI-HAM-xL and VI-HAM-xM
- RoHS compliant

### Product Highlights

The VI-HAM Harmonic Attenuator Module requires an external filter to meet international standards for EMI/RFI emissions, and incorporates transient surge protection, as outlined in the specifications below.



### Electrical Specifications

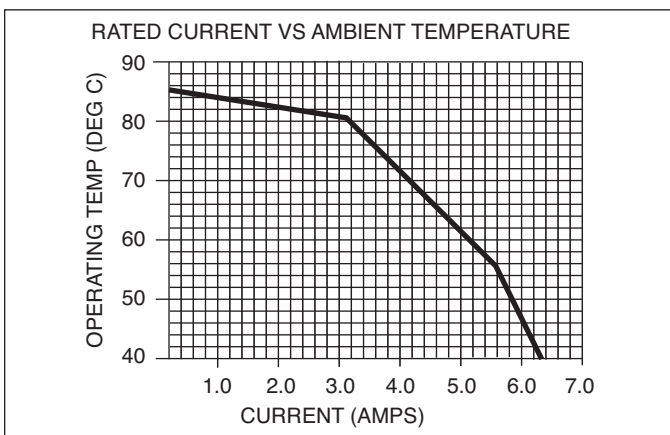
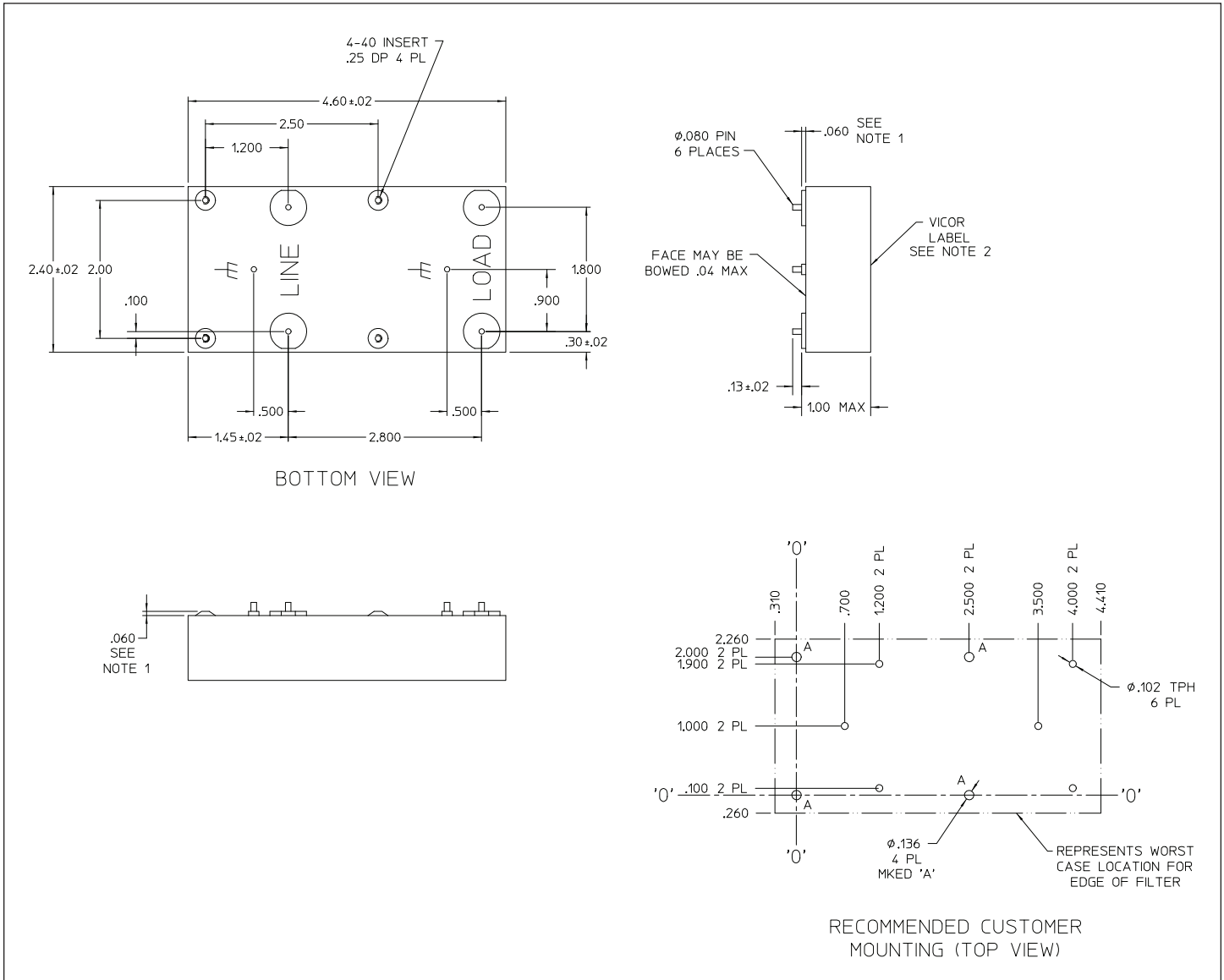
Parameter	Min	Typ	Max	Unit	Notes
Operating voltage	85		264	Vac	
Operating frequency	47		63	Hz	
Operating current (see Figure 1)			6.3	A	
Leakage current at 264 Vac, 63 Hz (Either line to earth)			1.2	mA	
Transient surge			1	kV	1.2/50 $\mu\text{s}$ pulse as per EN61000-4-5 with external MOV P/N 30076
Withstand	2			joules	0 to 360° phase angle; exceeds IEC 801-5, Level B
Dielectric withstand (line – case)			1500	Vac	
Residual voltage after 1 sec.			34	V	

### General Specifications

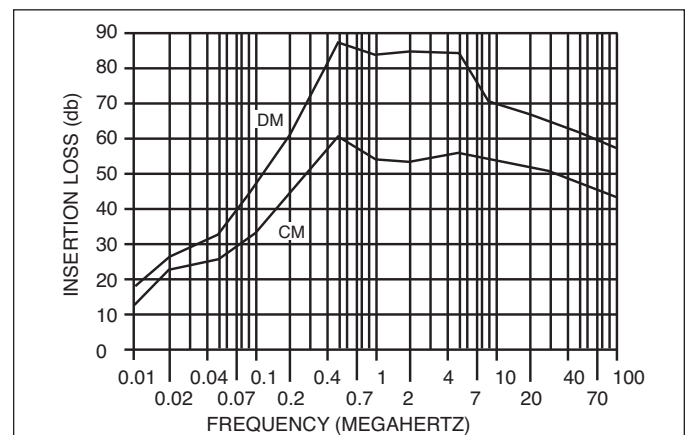
Parameter	Min	Typ	Max	Unit	Notes
Weight		16 (457)		oz (g)	
Size		2.4 x 4.6 x 1.0 6,1 x 11,7 x 2,54		in cm	
Operating temperature (see Figure 1)	-20		40	°C	
Agency approvals		UL, CSA, TÜV			

Note: The 30205 line filter is not hermetically sealed and therefore should not be subjected to post solder aqueous rinse.

**Mechanical Outline and Recommended Layout Dimensions** (All measurements are in inches)



**Figure 1** — Current rating vs. temperature



**Figure 2** — Insertion loss vs. frequency