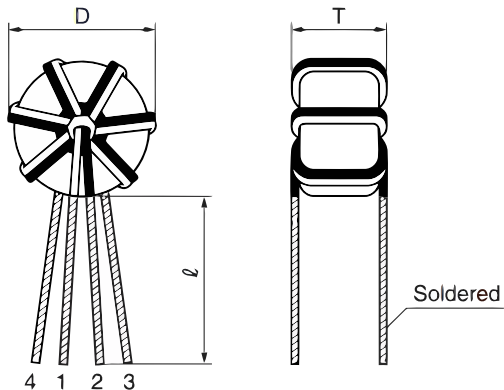


KEMET Part Number: SHO-501
(UDLSHO05010000, SHO501)

KEMET, SHO, DC Line Filters, Common Mode, 17.5 uH



General Information	
Series:	SHO
Style:	Through-Hole
RoHS:	Yes

Specifications	
Voltage DC:	50 VDC
Inductance:	17.5 uH
Temperature Range:	-25/+80°C
DC Resistance:	105 mOhms

Dimensions	
L	6.2mm MAX
T	3.4mm MAX
H	6.2mm MAX
LL	4mm +/-2mm

Packaging Specifications	
Packaging:	Bulk, Box
Packaging Quantity:	6000
Weight:	200 mg