

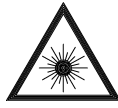
BOS 12M-X-RS10-S4
Order code: BOS01TW

Photoelectric sensor
 Series 12M GLOBAL
 Emitter
 Sn = 8 m

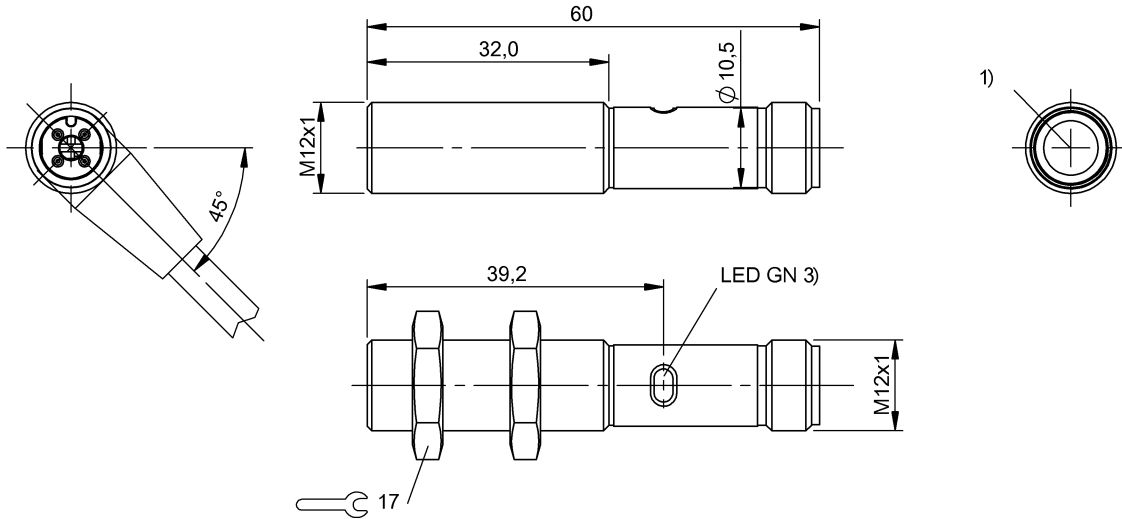
DC, direct current
 LED, red light

BALLUFF

sensors worldwide



LED-Light - DO NOT STARE INTO BEAM! Exempt group
 per IEC 62471:2006-07



1) Optical axis emitter 3) Power

Basic data

Operating voltage UB DC	10.0 V... 30.0 V
Eff. operating voltage Ue DC	24.0 V
Ripple max. (% of Ue)	15 %
No-load current max. Io at Ue	15 mA
Polarity reversal protected	yes
Rated insulation voltage Ui	75 V DC
Indicator	Power - LED GN
Adjuster	No
Ambient temperature Ta	-5 °C... 55 °C

Optical data

Principle of optical operation	Emitter
Operating range Ro	0...8 m
Referenzempfänger	BOS 18M-PS-RE20-S4
Light type	LED, red light
Wavelength	644 nm
LED group acc. IEC 62471	Exempt group
Light spot size, typical	Ø280 mm at 8 m

Mechanical data

Style	Cylinder, straight optics
Dimensions	Ø12.0 mm x 60.0 mm
Mounting type	Nut M12x1
Tightening torque max.	7/15 Nm
Housing material	Brass
Surface protection	Nickel-plated
Werkstoff aktive Fläche	PMMA
Degree of protec. per IEC60529	IP67
Connection type	Connector
Connector type	M12x1-S04

Approval

Approvals / Conformity	CE
------------------------	----

Remarks

Basic standard IEC 60947-5-2
 For additional information, refer to user's guide.
 Order accessories separately.



Definitions see general catalog

Subject to change without notice.

000000118829/237046/20141201

www.balluff.com

Balluff Germany: +49 7158 173-0, +49 7158 173-370
 Balluff USA: +1-800-543-8390
 Balluff China: +86 21 5089 9970

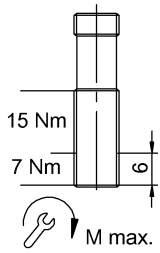
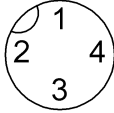
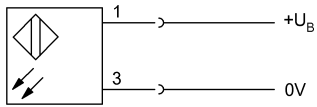
1 (2)
 Print Date: 13.08.2015
 Selection date: 13.08.2015

BOS 12M-X-RS10-S4
Order code: BOS01TW

Photoelectric sensor
Series 12M GLOBAL
Emitter
Sn = 8 m

DC, direct current
LED, red light

BALLUFF
sensors worldwide



000000118829/237046/20141201