

APC® NetShelter®

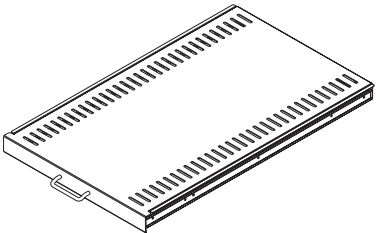
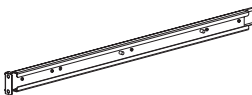
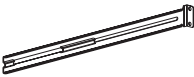
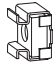

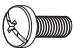


100-lb Sliding Shelf—AR8123

Overview

The 100-lb Sliding Shelf (AR8123) mounts into an American Power Conversion (APC) NetShelter enclosure. The Sliding Shelf:

- Holds servers and peripherals weighing up to 100 pounds
- Slides forward for access to mounted equipment
- Has adjustable rails (28–40 in.)
- Can be mounted upside down to function as a tray
- Comes with four friction pads for securing your equipment to the shelf
- Is ready for use with the APC Cable Management Arm (AR8129)

Inventory

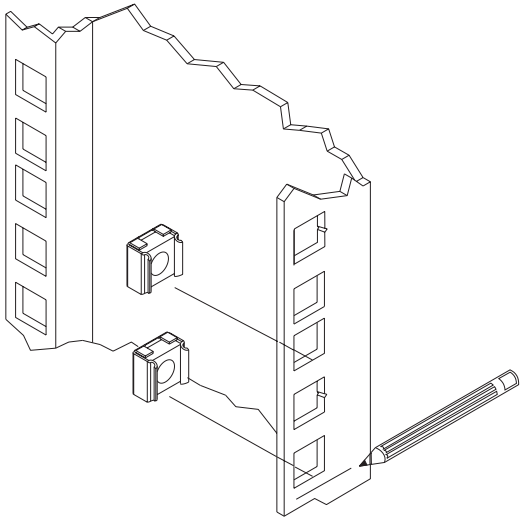
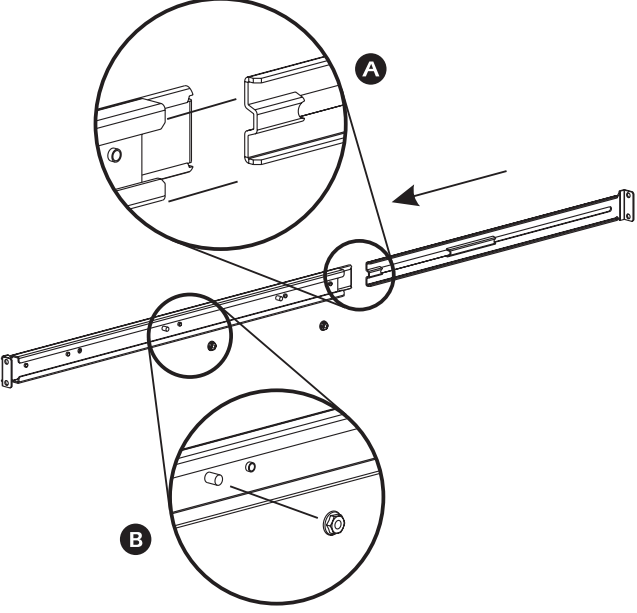
Item	Qty	Figure
Sliding Shelf	1	
Stationary Rail	2	
Moveable Rail	2	
M6 Caged Nut	8	
M6 Plastic Cup Washer	8	
M6 × 16 mm Pan Head Slotted/Phillips Screw	8	
M6 Flanged Nut	4	
Friction Pad	4	

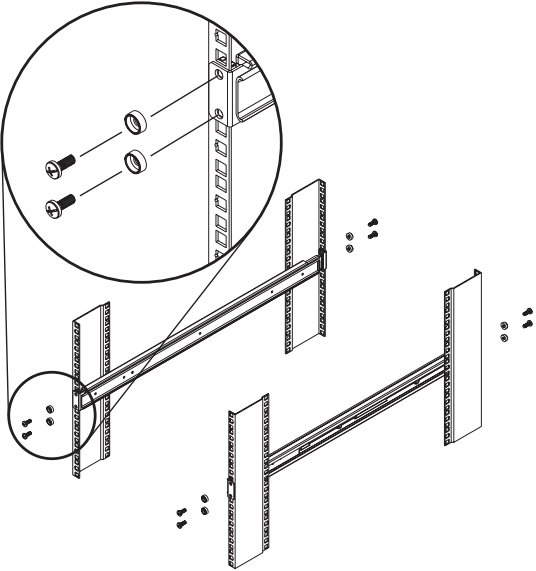
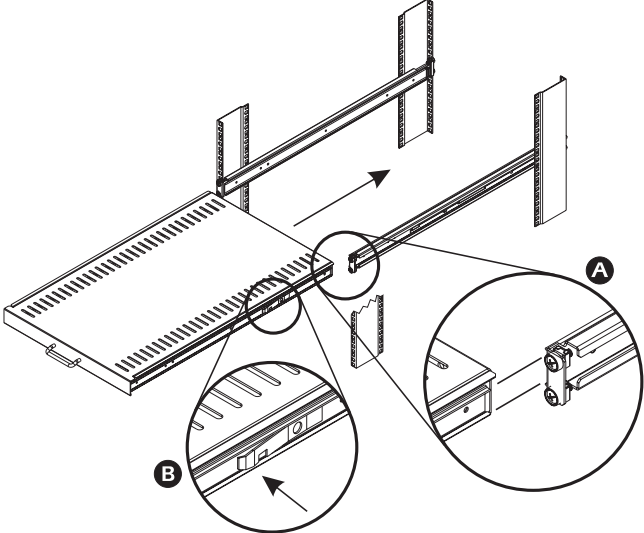


Tools Required

- Screwdriver (flat head)
- Pencil

Mounting Instructions

Step	Action	Figure
1	<p>Choose the location for the Sliding Shelf on the vertical mounting rails of the enclosure. Using a pencil, mark the bottom mounting hole of the chosen U-space on the front and rear vertical mounting rails. (One U-space consists of a notched mounting hole and one hole immediately above and below it.)</p> <p>Caution: Plan to place heavier components towards the bottom of the enclosure.</p>	 A line drawing of an enclosure's front and rear vertical rails. A pencil is shown marking a hole on the front rail. Two caged nuts are shown being inserted into the rails, one on the front and one on the rear, with lines indicating they are to be placed in the marked holes.
2	<p>Install a caged nut in the top and bottom mounting holes of the U-space chosen in Step 1. Repeat for each of the four vertical mounting rails.</p> <p>Caution: Install the caged nuts horizontally, as pictured; that is, the ears of each caged nut should engage the <i>sides</i> of the mounting hole, not the top and bottom.</p>	
3	<p>Assemble the adjustable rails:</p> <p>A. Slide a moveable rail into a slide-stationary rail assembly.</p> <p>B. Using two flanged nuts, fasten the rails loosely enough to allow them to slide.</p> <p>C. Repeat for the other adjustable rail.</p>	 A diagram showing two long adjustable rails. Callout A shows a close-up of a moveable rail being inserted into a slide-stationary rail assembly. Callout B shows a close-up of two flanged nuts being used to fasten the rails together. An arrow points to the right, indicating the direction of assembly.

Step	Action	Figure
4	<p>Align the holes at the end of each rail-slide assembly with the caged nuts installed in Step 2. Loosely fasten to the enclosure using the screws and cup washers provided.</p> <p>Note: The length of the Sliding Shelf rails should adjust to match rack depth. Loosen the 3/8" nuts, if necessary, to adjust the length.</p>	
5	<p>Install the shelf assembly (refer to steps A and B shown at right):</p> <p>A. Fit the rear of the shelf slide into the front end of the slide on the mounted rail-slide assembly and slide forward until it stops with a click (about 8").</p> <p>B. Push the release lever on each side of the rail assembly and push the shelf the rest of the way forward.</p>	
6	Tighten the 8 screws on the vertical mounting rails.	
7	Tighten the nuts on the adjustable rail.	
8	Place the 4 friction pads on the shelf according to the footprint of the equipment you are installing on the shelf. Place the edges of the friction pads parallel to the edges of the shelf.	
9	Carefully lower the equipment onto the friction pads.	

Step	Action	Figure
10	<p>If you are installing the Cable Management Arm (AR8129):</p> <p>Align the plungers on the Cable Management Arm with the holes on either side of the rear of the Sliding Shelf.</p> <p>Fasten the other end of the Cable Management Arm to the vertical mounting rail according to the instructions supplied with AR8129.</p> <p>Note: You will be using the same screws that were used in Step 4 to attach both Sliding Shelf and Cable Management Arm to the enclosure.</p> <p>Caution: Install the Cable Management Arm before placing any equipment on the Sliding Shelf.</p>	