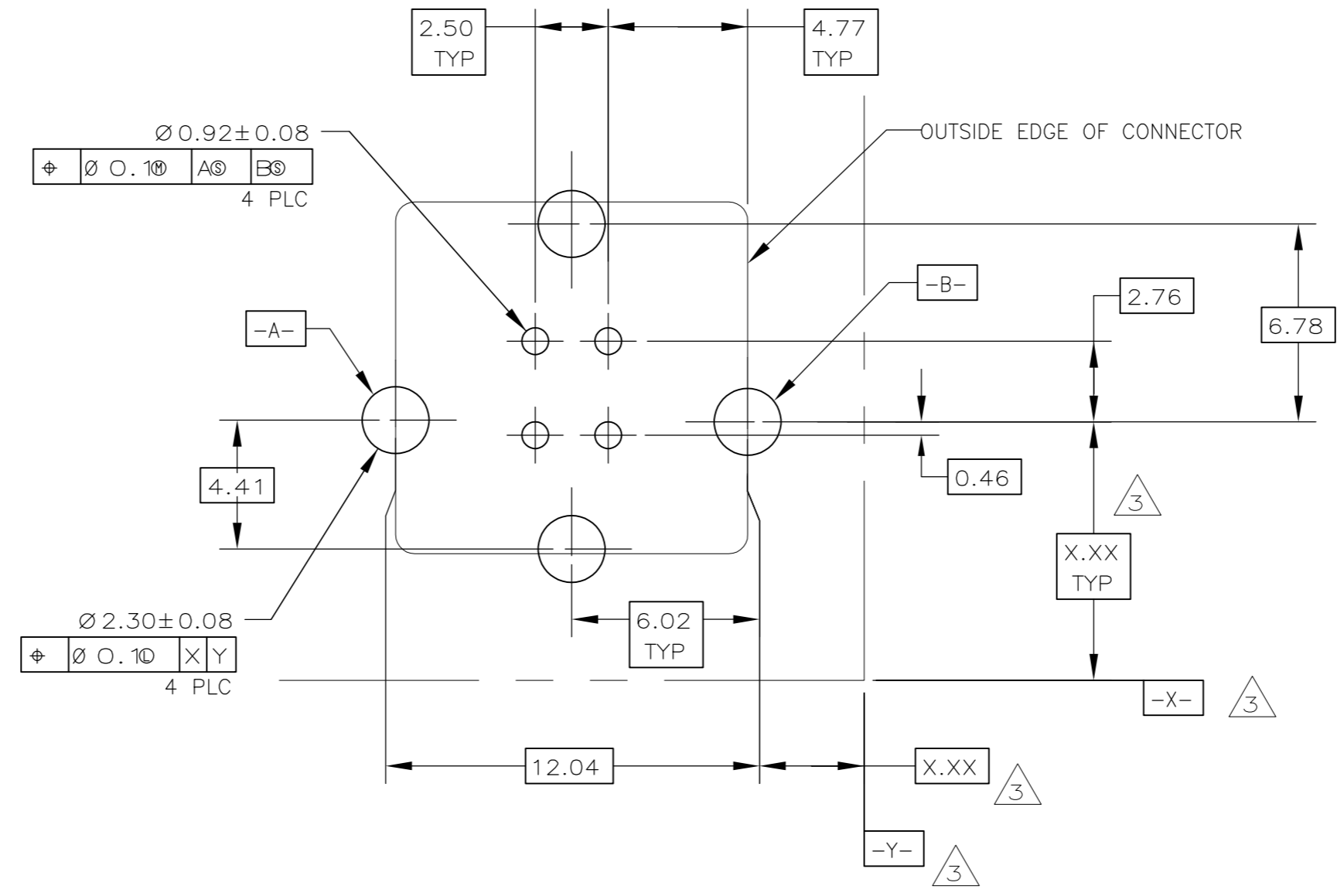
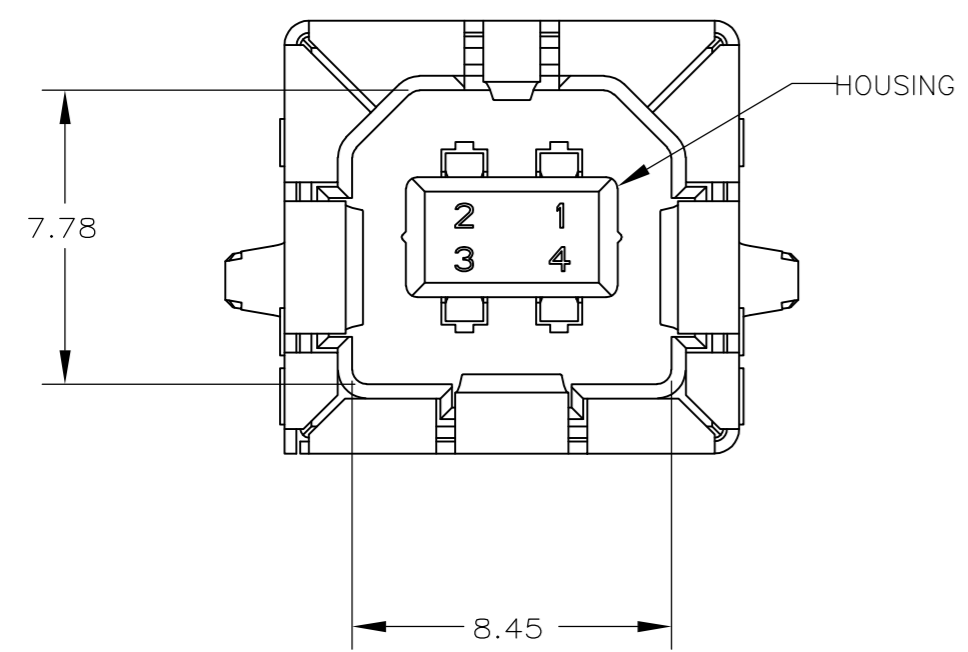


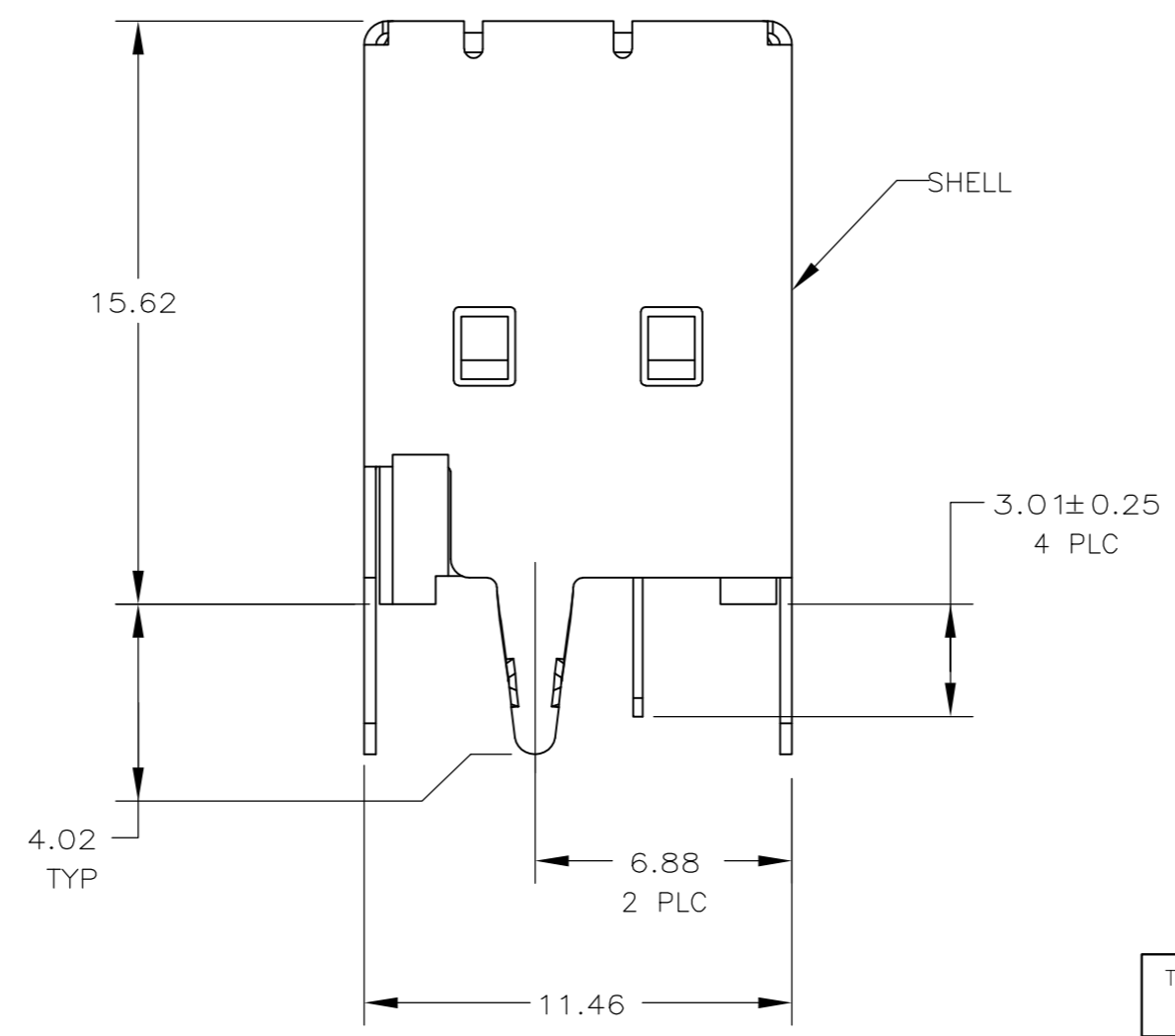
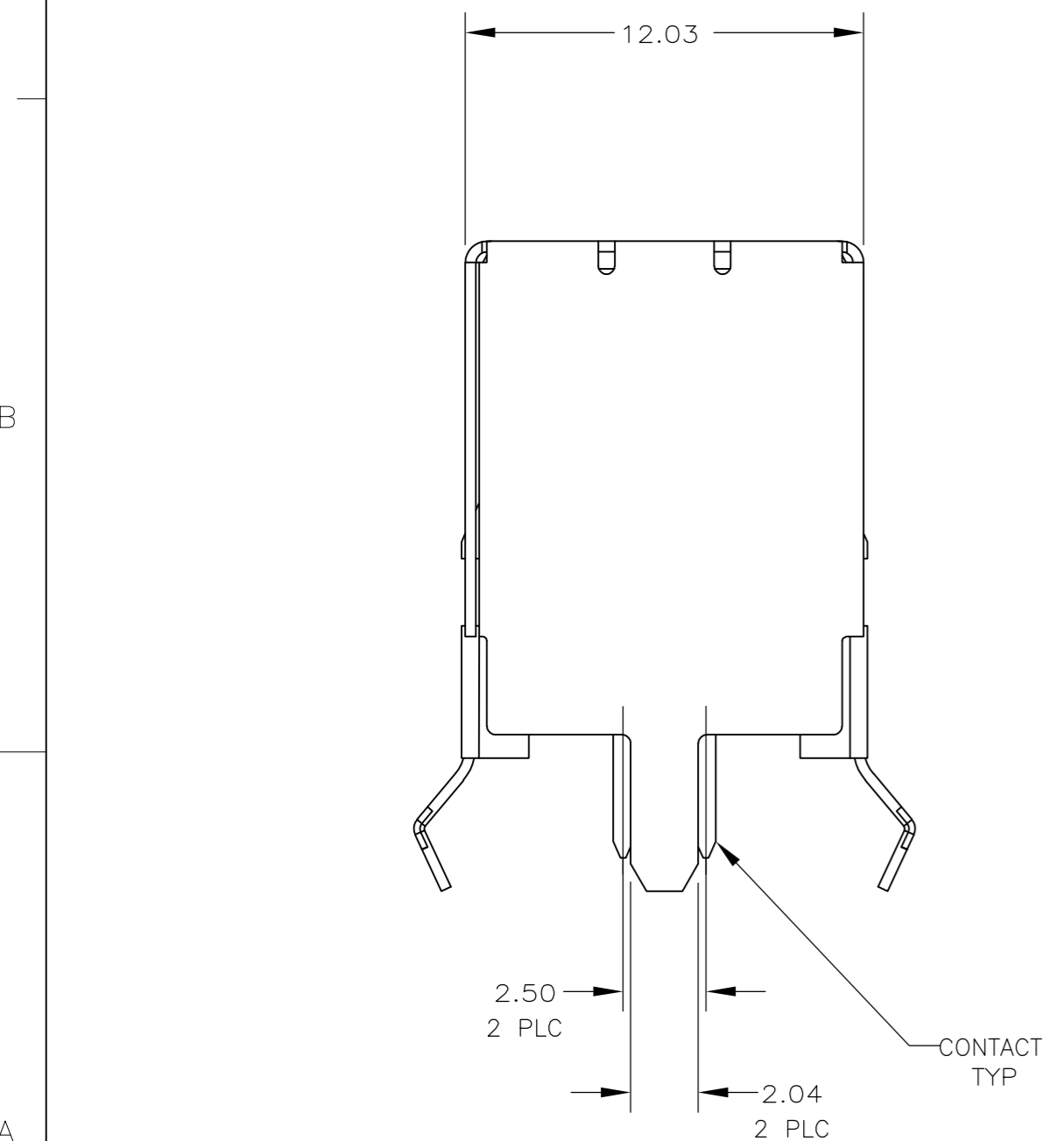
THIS DRAWING IS UNPUBLISHED. RELEASED FOR PUBLICATION
 © COPYRIGHT - 19 By - ALL RIGHTS RESERVED.

LOC		DIST		REVISIONS			
ES	00	P	LTR	DESCRIPTION	DATE	DWN	APVD
		P		REVISED PER ECO-11-005033	26MAR11	RK	HMR



LEAD FREE

PC BOARD MOUNTING DIMENSIONS 4



- 1 SHELL & CONTACTS - PHOSPHOR BRONZE.
HOUSING - POLYESTER, UL 94V-0 RATED, BLACK.
- 2 CONTACTS - 0.076µm MINIMUM GOLD OVER 0.76µm MINIMUM PALLADIUM-NICKEL ON MATING AREA, 3.8µm MINIMUM TIN ON SOLDER TAILS, BOTH OVER 1.27µm MINIMUM NICKEL.
CONTACT ALTERNATE PLATING: 0.76µm MINIMUM GOLD ON MATING AREA, 3.80µm MINIMUM TIN ON SOLDER TAILS, BOTH OVER 1.27µm MINIMUM NICKEL.
SHELL - 2~5µm TIN.
- 3 DATUM AND BASIC DIMENSIONS ESTABLISHED BY CUSTOMER.
- 4 RECOMMENDED PC BOARD THICKNESS OF 1.57.
- 5 CONTACTS - 0.38µm MINIMUM GOLD ON MATING AREA, 3.8µm MINIMUM TIN ON SOLDER TAILS, BOTH OVER 1.27µm MINIMUM NICKEL.
SHELL - 2~5µm TIN.

5	5788336-2
2	5788336-1
FINISH	PART NO.

THIS DRAWING IS A CONTROLLED DOCUMENT.		DWN	LEO ZHOU	05NOV04	 TE Connectivity	RECEPTACLE ASSY, 4 POSN, VERTICAL, THRU-HOLE, TYPE B, UNIVERSAL SERIAL BUS		
DIMENSIONS:		CHK	STEVEN YAO	05NOV04		NAME		
mm		APVD	LENOMOTO	05NOV04		PRODUCT SPEC		
TOLERANCES UNLESS OTHERWISE SPECIFIED:		APPLICATION SPEC				SIZE		
0 PLC	± -	WEIGHT		-	CAGE CODE		DRAWING NO	
1 PLC	± -	MATERIAL		-	A2 00779		RESTRICTED TO	
2 PLC	± -	FINISH		-	C=5788336		-	
3 PLC	± -	CUSTOMER DRAWING		-	SCALE		SHEET	
4 PLC	± -			-	5:1		1 of 1	
4 PLC	± -			-			REV	
ANGLES	± -			-			P	