

SPECIFICATIONS:

MATERIALS:

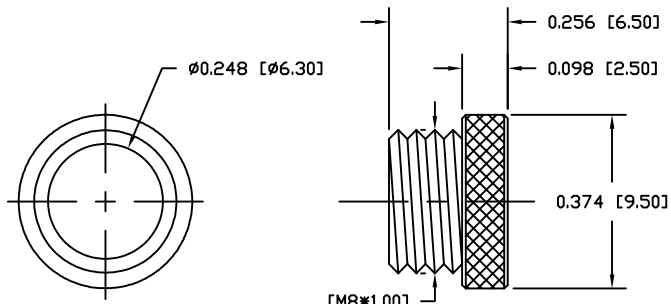
HOUSING: PBT, UL94 V-0, BLACK
 CONTACTS: GOLD PLATED BRASS
 NUT: NICKEL PLATED BRASS
 SHELL: NICKEL PLATED BRASS

ELECTRICAL:

RATED CURRENT: 1.5A
 RATED VOLTAGE: 30V
 INSULATION RESISTANCE: 100 MOhms MIN.
 CONTACT RESISTANCE: 10 mOhms MAX.
 MAX WIRE AWG: 26 AWG

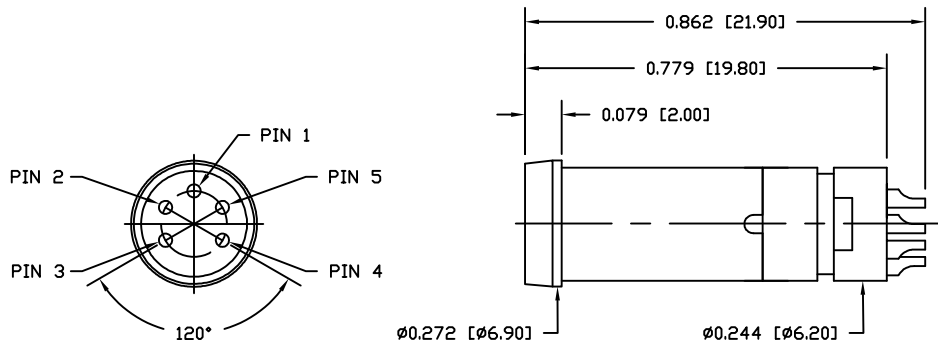
ENVIRONMENT:

OPERATING TEMPERATURE: -40°C TO +85°C
 WATER PROOF: IP66/IP67 (SEE NOTE BELOW)



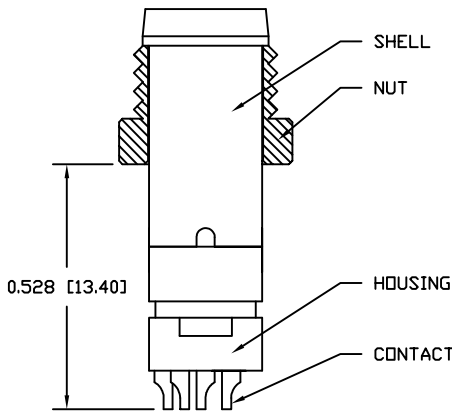
NUT

WHEN MATING WITH NORCOMP CONNECTORS, ONLY AN IP66 RATING CAN BE ACHIEVED IN MATING AREA BETWEEN CONNECTORS. CONNECTOR IS OTHERWISE IP67 AND MAY BE FULLY IP67 IF MATED WITH COMPETITOR PARTS.



854-005-103RLSY

1 = GOLD FLASH
 4 = 10µ" GOLD



RoHS COMPLIANT

UNITS = inch [mm]

DO NOT SCALE FROM DRAWING



THESE DRAWINGS AND SPECIFICATIONS ARE THE PROPERTY OF NorComp AND SHALL NOT BE REPRODUCED, COPIED OR USED AS THE BASIS FOR THE MANUFACTURE OR SALE OF APPARATUS WITHOUT WRITTEN PERMISSION.

DRAWN: M. SIGMON

DATE: 03/04/2016

NorComp

SCALE: NTS SHEET 1 OF 1 REV 5

DWG NO. 854-005-103RLSY

Mouser Electronics

Authorized Distributor

Click to View Pricing, Inventory, Delivery & Lifecycle Information:

[NorComp:](#)

[854-005-103RLS1](#) [854A005-103RLS1](#) [854A005-103RLS4](#) [854-005-103RLS4](#)