



## Ex position switch with safety function Ex ES 97 W-11 -60°C Material number: 1292311

### Features/Options

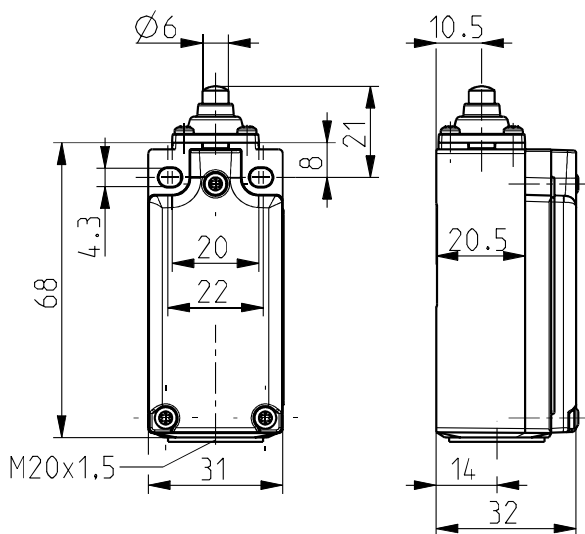
- Ex zone 1 and 21
- Thermoplastic enclosure
- Cold-resistant down to -60 °C
- High degree of protection IP 66 / IP 67

- Design to EN 50047
- Wiring compartment
- Double insulated
- Actuator: Plunger with collar W

### Note

- 1 Ex"e" cable gland M20x1.5 included in delivery

### Dimensions



### Technical data

<b>Standards</b>	EN 60947-5-1; EN 60079-0, EN 60079-1, EN 60079-7, EN 60079-31; EN ISO 13849-1; EN ISO 14119
<b>Enclosure</b>	glass-fibre reinforced, shock-proof thermoplastic, self-extinguishing UL 94-V0
<b>Cover</b>	glass-fibre reinforced, shock-proof thermoset material, self-extinguishing UL 94-V0
<b>Switch type</b>	type 1
<b>Coding level</b>	no coding
<b>Switch insert</b>	Type 8080/1-1
<b>Degree of protection</b>	IP 66 to IEC/EN 60529 (... -60 °C) IP 67 to IEC/EN 60529 (... -20 °C)
<b>Contact material</b>	Silver, nickel-plated
<b>Switching system</b>	slow action, positive break NC contacts ⊖
<b>Switching elements</b>	1 NC/1 NO contact, type Zb
<b>Connection</b>	screw connection terminals, min. 0,2 mm <sup>2</sup> AWG 24, max. 1,5 mm <sup>2</sup> AWG 16, incl. conductor ferrules
<b>Cable entry</b>	M20 x 1,5; screwing depth max. 9 mm; use only Ex approved and certified cable glands with min. degree of protection IP 66 and suitable for the specified ambient temperature range
<b>B<sub>10d</sub> (10 % Load)</b>	2 million
<b>T<sub>M</sub></b>	max. 20 years
<b>Utilisation category</b>	AC-15
<b>I<sub>e</sub></b>	max. 2 A or 4 A <input type="checkbox"/>
<b>U<sub>e</sub></b>	max. 500 VAC, max. 250 VAC for unequal potential
<b>Mechanical life</b>	> 1 million operations
<b>Impact energy</b>	max. 7 J
<b>Temperature class</b>	T6
<b>Ambient temperature</b>	-60 °C ... +55 °C max. 4 A, +60 °C max. 2 A
<b>Max. fuse rating</b>	6 A gG/gN fuse
<b>Ex marking</b>	<input type="checkbox"/> II 2G Ex db eb IIC T6 Gb, <input type="checkbox"/> II 2D Ex tb IIIC T80 °C Db IECEx Ex db eb IIC T6 Gb, Ex tb IIIC T80 °C Db
<b>Approvals</b>	BVS 16 ATEX E 052 IECEx BVS 16.0052



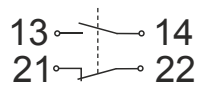
## Ex position switch with safety function

Ex ES 97 W-11 -60°C

Material number: 1292311

Errors and omissions excepted.

### Contact diagram



### Switching diagram

