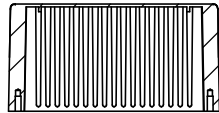


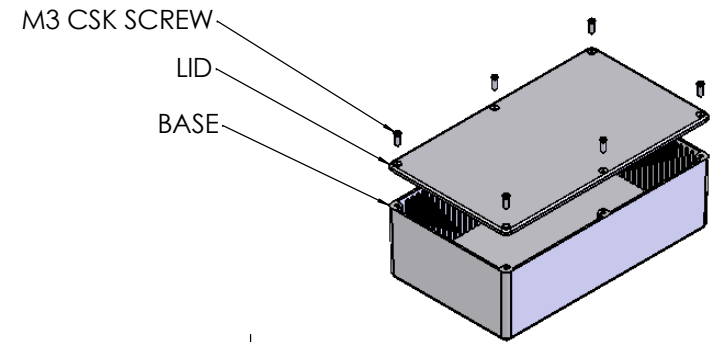
OVERALL ASSEMBLY DIMENSIONS:

EXTERNAL - 191.6 x 111.6 x 60.5

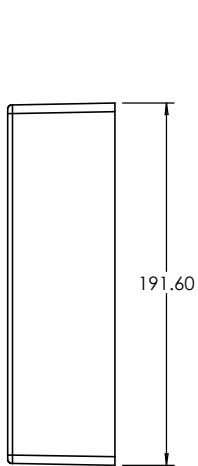
INTERNAL 188 x 108 x 56.3



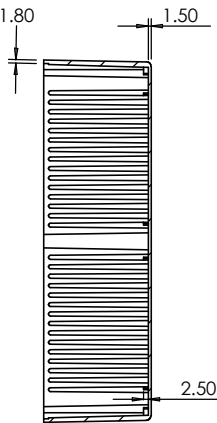
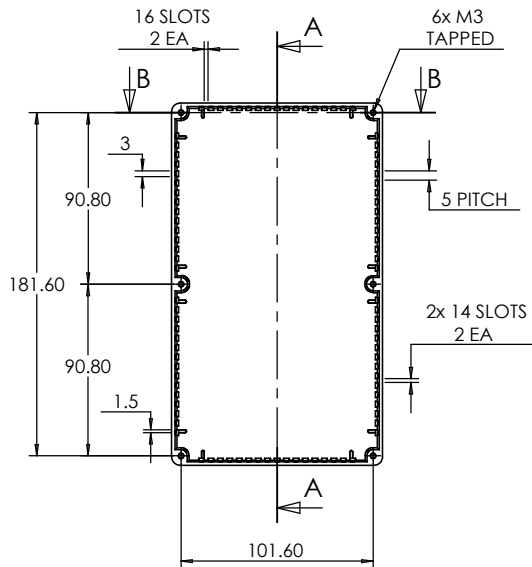
SECTION B-B



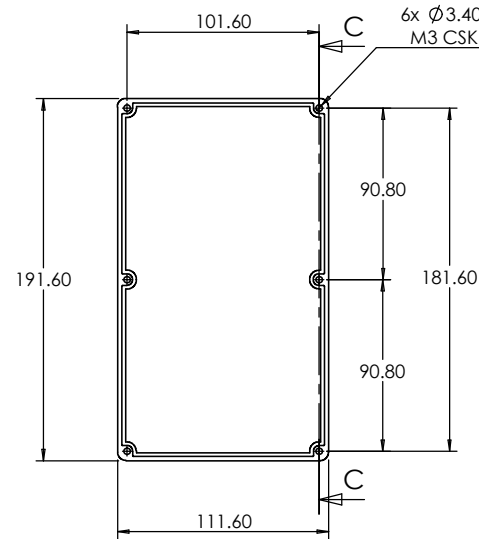
ISO VIEW  
1:5



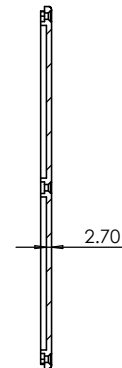
BASE



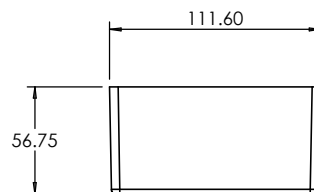
SECTION A-A



SECTION C-C



LID



<p>UNLESS OTHERWISE SPECIFIED: DIMENSIONS ARE IN MILLIMETERS</p>				DO NOT SCALE DRAWING		REVISION. 0	
				TITLE: ASSEMBLY DRG FOR 5006/16			
JAMES CARTER RD, MILDENHALL, SUFFOLK. IP28 7DE TEL.: 01638 716101 FAX: 01638 716554 EMAIL: Sales@CamdenBoss.com WEB: www.CamdenBoss.com				FINISH: SMOOTH		MATERIAL: DIE-CAST ALUMINIUM	
DRAWN: S.HARDINGE		SIGNED: SJH		DATE: 07/12/05		DWG NO. 5006,16	
CHKD: -		-		-		SCALE: 1 : 4	
PROJECTION.				SHEET 1 OF 1		A4	