

Product Information



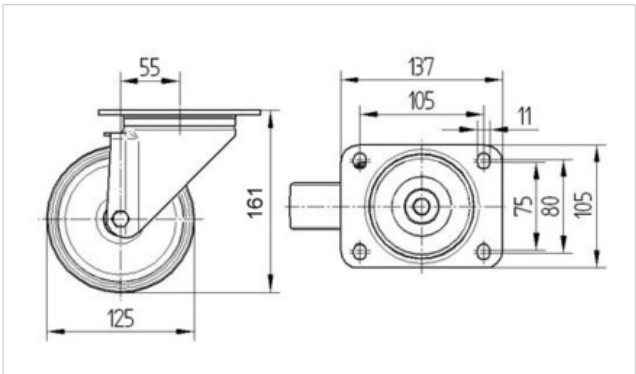
3470UFR125P63

EAN 4031582304459

Swivel castor, housing made of pressed steel, bright zinc plated, blue passivated, double ball bearing swivel head, wheel axle with nut, dustguard, plate fitting.

Wheel centre made of Polyamide, Tread: elastic-tyre, non-marking, roller bearing

Technical Data	
Wheel diameter	125 mm
Width of Tread	40 mm
Size of Plate	137 x 105 mm
Plate hole centres	105 x 80/75 mm
Plate hole	11 mm
Offset	55 mm
Swivel Interference	235 mm
Overall height	161 mm
Temperature	- 20 / + 80 °C
Standard	EN 12532
Weight	1.677 kg
Swivel Radius	117.5 mm
Hardness of tread	A 64 Shore
Load capacity	250 kg
Load capacity (static)	500 kg



Roll performance	+	+	+	+	+
Movement noise	+	+	+	+	+
Attrition	+	+	+	+	+
Corrosion resistance	+	+	+	+	+

Product Information



3470UFR125P63

EAN 4031582304459

