

## TDM Microphone Array Demo Board Guide

### GENERAL DESCRIPTION

This user guide describes operation of the TDM Microphone Array Demo board, which uses 16 ICS-52000 microphones.

This allows evaluation of the ICS-52000 in a large 4x4 array, with 15 mm spacing between adjacent microphones in the array. The order of the microphones in the 16 TDM slots is shown on the board's top silkscreen.

**TABLE 1. BOARD SETTINGS**

Headers, Jumpers, Switches	Description
J1	TDM data interface
J2	Connect SCK to mics 1-4
J3	Connect SCK to mics 5-8
J4	Connect SCK to mics 9-12
J5	Connect SCK to mics 13-16
J6	Connect SD between rows 1 & 2
J7	Connect SD between rows 2 & 3
J8	Connect SD between rows 3 & 4
J9	Board power connection, >2.3 V, 40 mA
S1	Select whether the board's SD output signal is buffered (left) or unbuffered (right).
S2	Select whether the board's SCK input signal is buffered (left) or unbuffered (right)

**TABLE 2. J1 PINOUT**

Pin	Function
1	Board VDD, Output of 1.8 V regulator. Do not connect external supply to this pin.
3	No connect
5	SD – microphone data output
7	SCK – microphone serial clock input
9	WS – microphone frame clock input
2, 4, 6, 8, 10	Ground

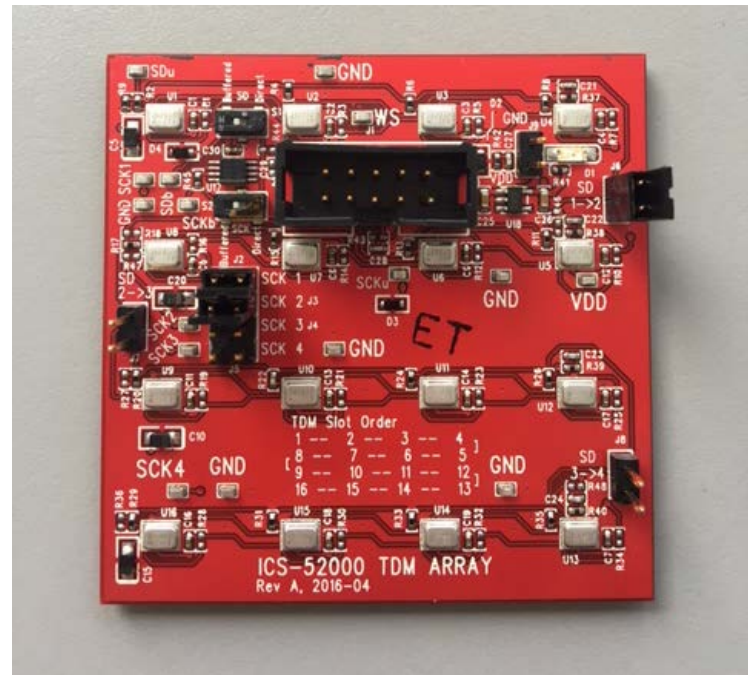
### BOARD OPERATION

The board can be set up for arrays of 4, 8, 12, or 16 microphones. The SCK signal to each horizontal row of four microphones is enabled with jumpers J2-5. For an array of 4 mics, only populate jumper J2, for an array of 8 mics, populate J2 & J3, and so on.

Jumpers J6-8 are used to connect or disconnect the SD trace between rows, depending on how many mics are being used. This is to minimize the loading of the SD line on a long trace.

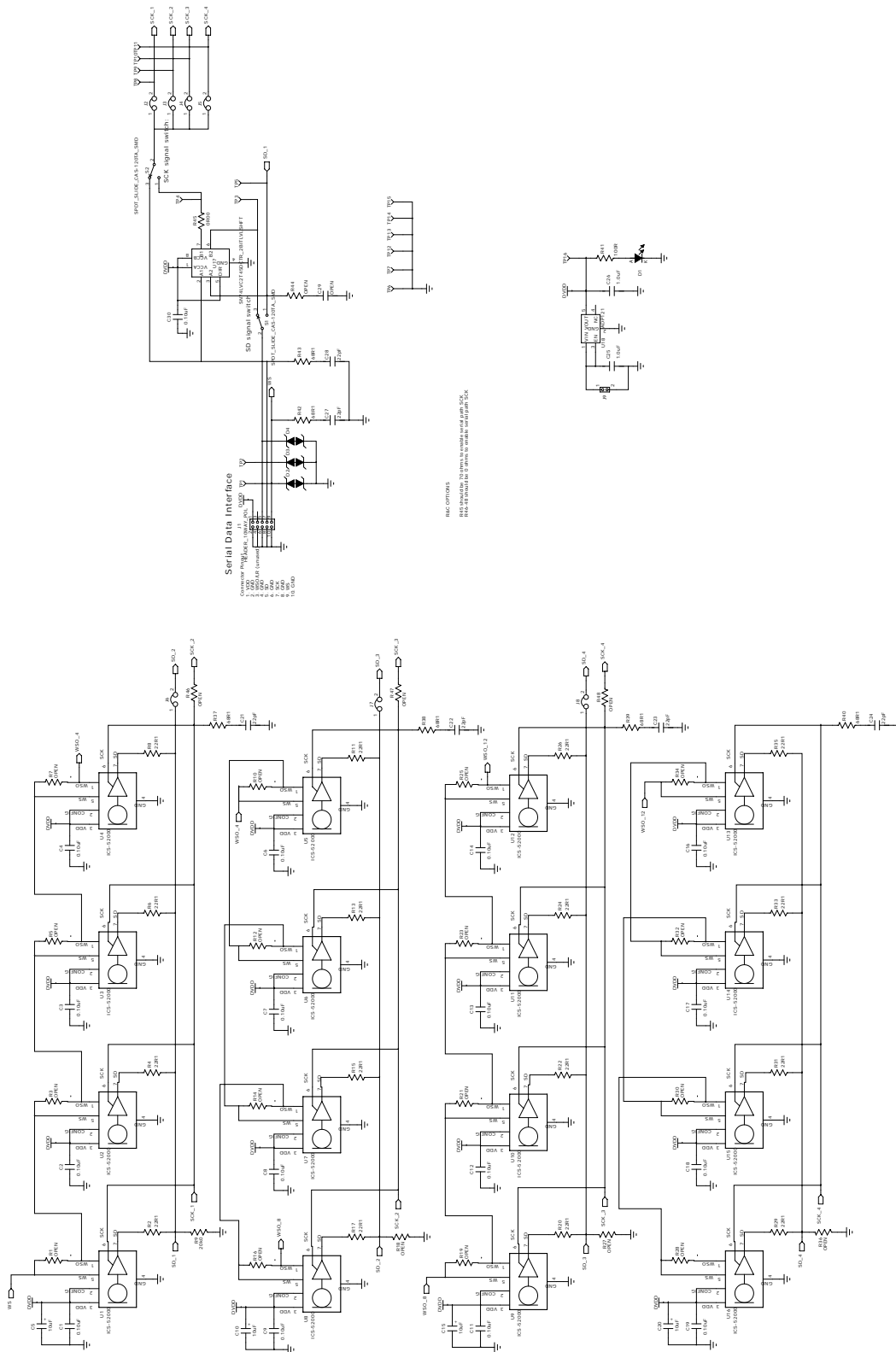
Typically, switches S1 and S2 are set to enable buffers for the SD output and SCK input. These can be disabled if necessary for evaluation.

The board is powered by applying 2.3 – 3.3 V on J9. The bottom pin of this jumper is VDD, the top pin is ground.



**Figure 1. TDM Microphone Array Demo Board**

**SCHEMATIC**



**Figure 2. Schematic**

---

**REVISION HISTORY**

Revision Date	Revision	Description
4/6/2017	1.0	Initial Release

---

## **COMPLIANCE DECLARATION DISCLAIMER**

InvenSense believes the environmental and other compliance information given in this document to be correct but cannot guarantee accuracy or completeness. Conformity documents substantiating the specifications and component characteristics are on file. InvenSense subcontracts manufacturing, and the information contained herein is based on data received from vendors and suppliers, which has not been validated by InvenSense.

This information furnished by InvenSense is believed to be accurate and reliable. However, no responsibility is assumed by InvenSense for its use, or for any infringements of patents or other rights of third parties that may result from its use. Specifications are subject to change without notice. InvenSense reserves the right to make changes to this product, including its circuits and software, in order to improve its design and/or performance, without prior notice. InvenSense makes no warranties, neither expressed nor implied, regarding the information and specifications contained in this document. InvenSense assumes no responsibility for any claims or damages arising from information contained in this document, or from the use of products and services detailed therein. This includes, but is not limited to, claims or damages based on the infringement of patents, copyrights, mask work and/or other intellectual property rights.

Certain intellectual property owned by InvenSense and described in this document is patent protected. No license is granted by implication or otherwise under any patent or patent rights of InvenSense. This publication supersedes and replaces all information previously supplied. Trademarks that are registered trademarks are the property of their respective companies. InvenSense sensors should not be used or sold in the development, storage, production or utilization of any conventional or mass-destructive weapons or for any other weapons or life threatening applications, as well as in any other life critical applications such as medical equipment, transportation, aerospace and nuclear instruments, undersea equipment, power plant equipment, disaster prevention and crime prevention equipment.

©2017 InvenSense, Inc. All rights reserved. InvenSense, MotionTracking, MotionProcessing, MotionProcessor, MotionFusion, MotionApps, DMP, AAR and the InvenSense logo are trademarks of InvenSense, Inc. Other company and product names may be trademarks of the respective companies with which they are associated.



©2017 InvenSense, Inc. All rights reserved.