

# SPECIFICATION

## FOR APPRONAL

Customer : \_\_\_\_\_

Product Name : Strobe Light \_\_\_\_\_

Model Name : VSL-05V930A \_\_\_\_\_

Drawing No. : VS20140227013 \_\_\_\_\_

### Signature of Voise

Approved by	Checkde by	Issued by	Date



福爱斯电子有限公司  
VOISE ELECTRONICS CO.,LTD.

Address: No 96 Mogao Dongqian Lake Industrial Area ningbo, China,  
Tel: 0086-0574-87773030; Fax: 0086-0574-87471600 P.C. 315121  
<http://www.nbvoise.com> Email: [sales@nbvoise.com](mailto:sales@nbvoise.com)



Specification for Strobe Light	Page	3/5
	Revision No.	1.0
	Drawing No.	VS20140227013
Model No. : VSL-05V930A		

## 2. Scope

This specification is applied to the siren used for sounder in alarm systems, Please contact us when using this product for any other applications than described in the above.

## 3. General

- 2.1 Out-Diameter : 100 mm
- 2.2 Height : 76 mm
- 2.3 Weight : 125 ±10g
- 2.4 Operating Temperature range:  
-20~+60℃ without loss of function
- 2.5 Store Temperature range:  
-30~+70℃ without loss of function

## 4. Electrical and Acoustic Characteristics.

Test condition : 15 ~ 35 ℃, 25% ~ 85% RH, 860~1060 mbar

No	Items	Specification
1	Rated Voltage	12V DC
2	Working Voltage	9-30V DC
3	Max Rated Current	150mA/12VDC
4	Flash Frequency	100±20 Per Minute
5	Operating Life	500 Hours Continuous Duty At 12VDC
6	Case Material/Color	ABS/Black
7	Lens Material/Color	Acrylic/Amber
8	Wires Connection	Red +12VDC、 Black GND
9	Strobe Source	Xenon Tube/LEDS

# Specification for Strobe Light

Page

4/5

Revision No.

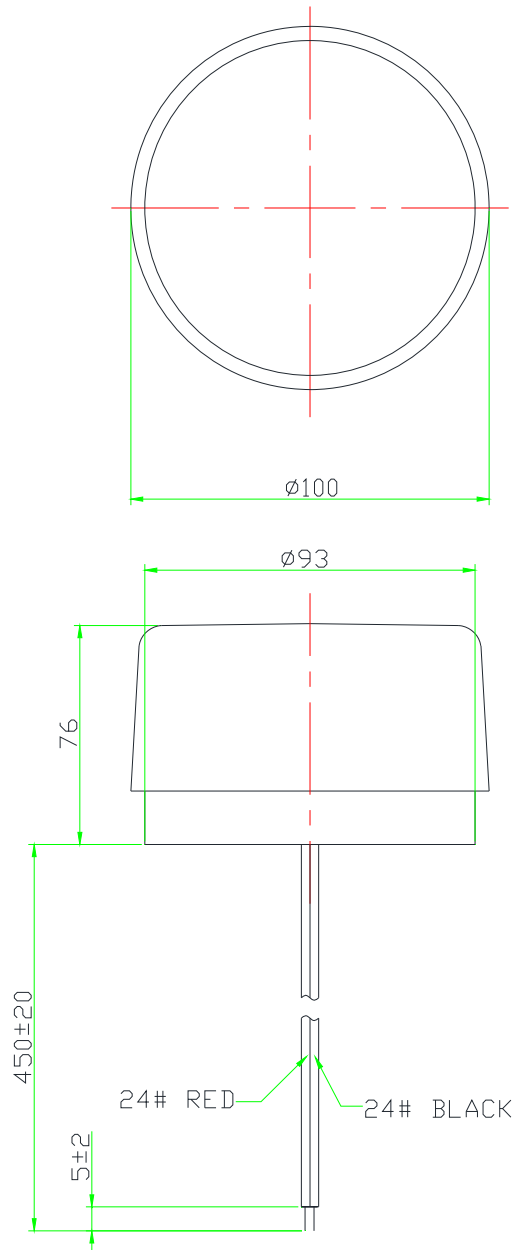
1.0

Model No. : VSL-05V930A

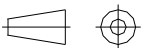
Drawing No.

VS20140227013

## 5. Dimensions



FIRST ANGLE PROJECTION



UNIT : mm

Tolerance :  $\pm 1.5$

# Specification for Strobe Light

Page

5/5

Revision No.

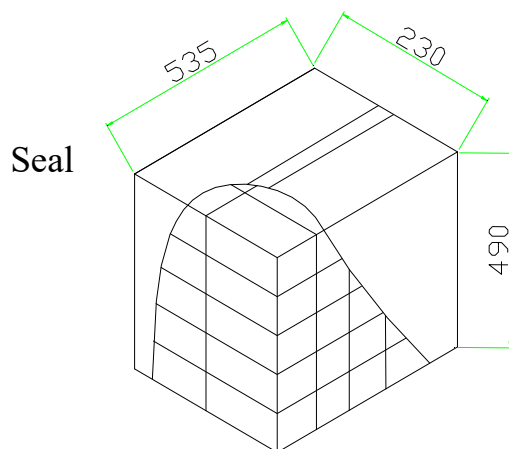
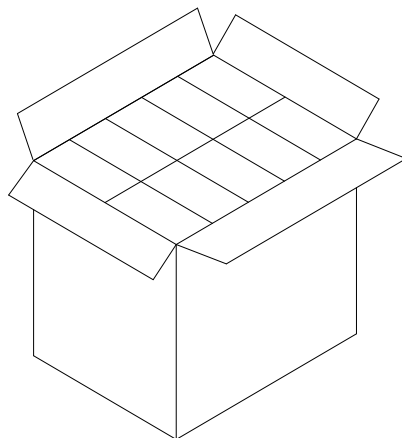
1.0

Model No. : VSL-05V930A

Drawing No.

VS20140227013

## 6. Packing



QTY: 50Pcs

535x230x490mm